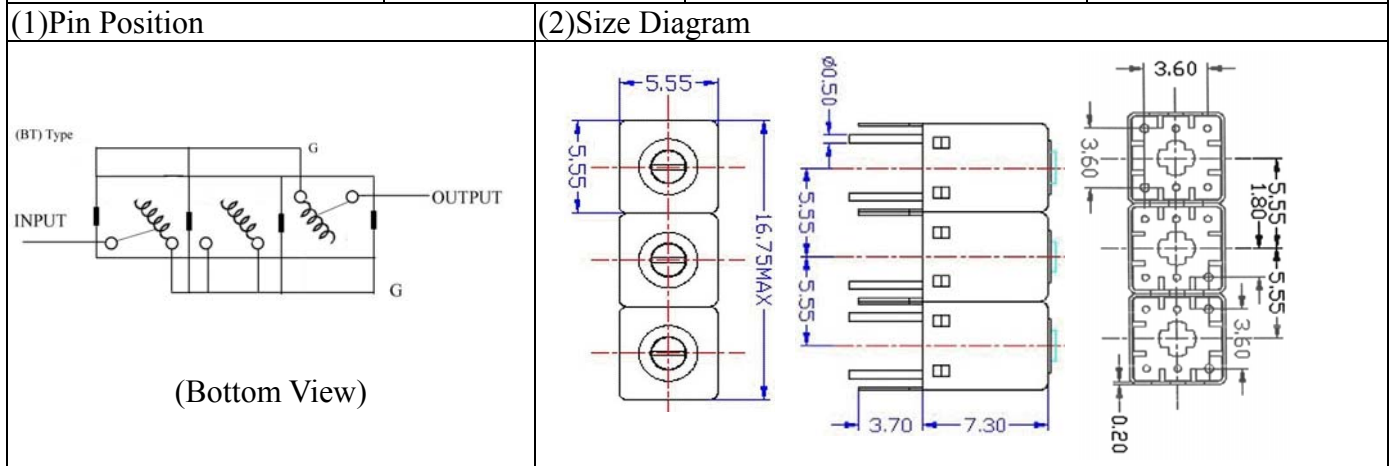


# VHF UHF Helical Filter Specification Sheet

Customer Name		Temwell's Part No.	K3RBT-735M-20M
Approval No. /dated	0909071CD	Temwell's Print name	K3RBT 735M
Work Instruction No.	200909071CD	Date	Oct.19.2009



(3) Electric Characteristic

Item	Specify	Performance
Center Freq.(Fo) +/- 0.5 %	735 MHz	735 MHz
Insertion Loss	Typ. 4.0 dB	3.14 dB
-3 dB Bandwidth	Typ. 20 MHz	24.7 MHz
Sensitivity (Attenuation)	Fo - 50 MHz	Typ. 28 dBc
	Fo + 50 MHz	Typ. 24 dBc
	Fo - ( )MHz	Typ. dBc
	Fo +( )MHz	Typ. dBc
Return Loss	Min. 12 dB	20.1 dB
Ripple	< 1 dB	
Impedance	In / Out : 50 Ω	In / Out : 50 Ω
(4) Torque for Tuning Screw	> 60gf · cm	

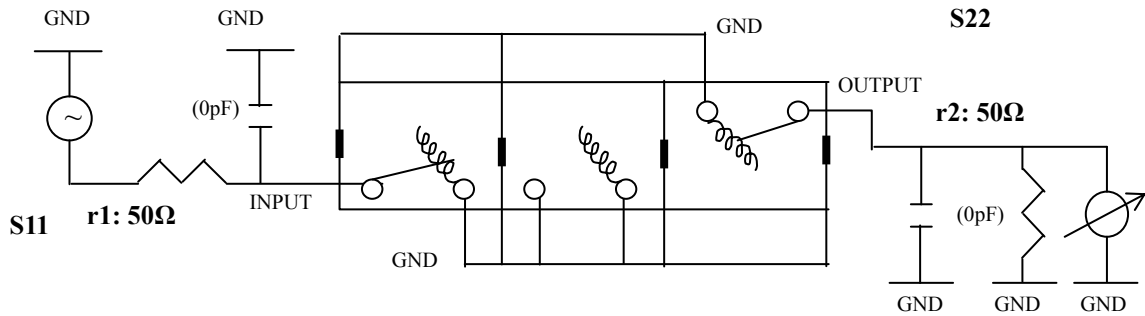
(5) Temperature Condition:

Operating Temperature	0°C ~ +60°C
Storage Temperature	-20°C ~ +70°C

(6) Input Power

> 0.5Watt

(7) Measuring Circuit: ※Easy to match Impedance S11/S22 50Ω/ by parallel with about( 0pF) / ( 0pF).



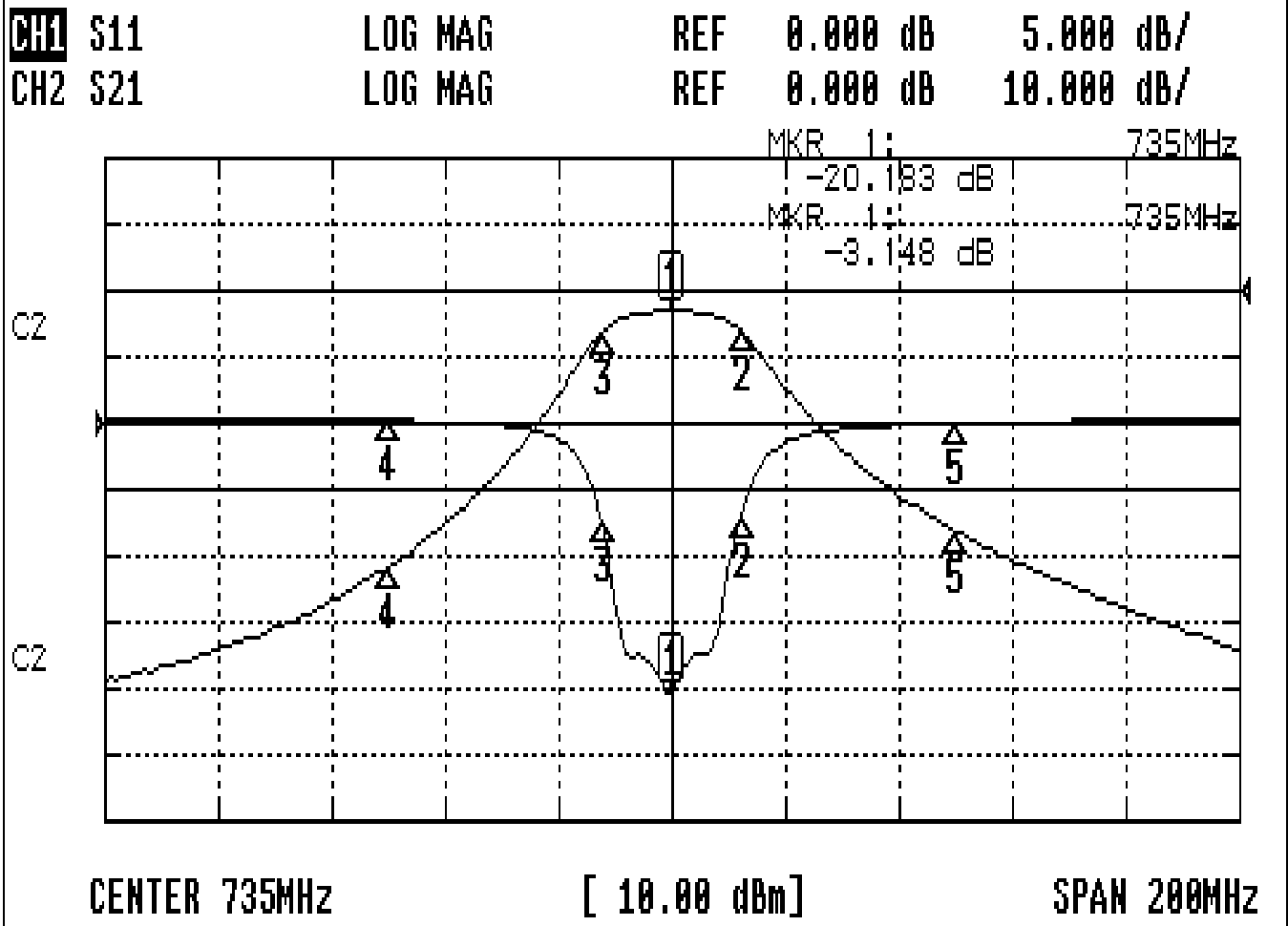
(Bottom View)

Approval	Supervisor	Designer	Aperture size
C.Y.Chang	C.K.Chang	W.W.Wang	5R3S(3.8*3.7)(3.75) 5HW024RB3

TEMWELL CORPORATION

# Performance-K3RBT-735M-20M

## 200909071CD



### CH1 MARKER LIST

1	735.000MHz	-20.188	dB
2	747.333MHz	-6.771	dB
3	722.666MHz	-7.536	dB
4	685.000MHz	0.160	dB
5	785.000MHz	0.019	dB

### CH2 MARKER LIST

1	735.000MHz	-3.148	dB
2	747.333MHz	-6.210	dB
3	722.666MHz	-6.229	dB
4	685.000MHz	-41.578	dB
5	785.000MHz	-36.261	dB