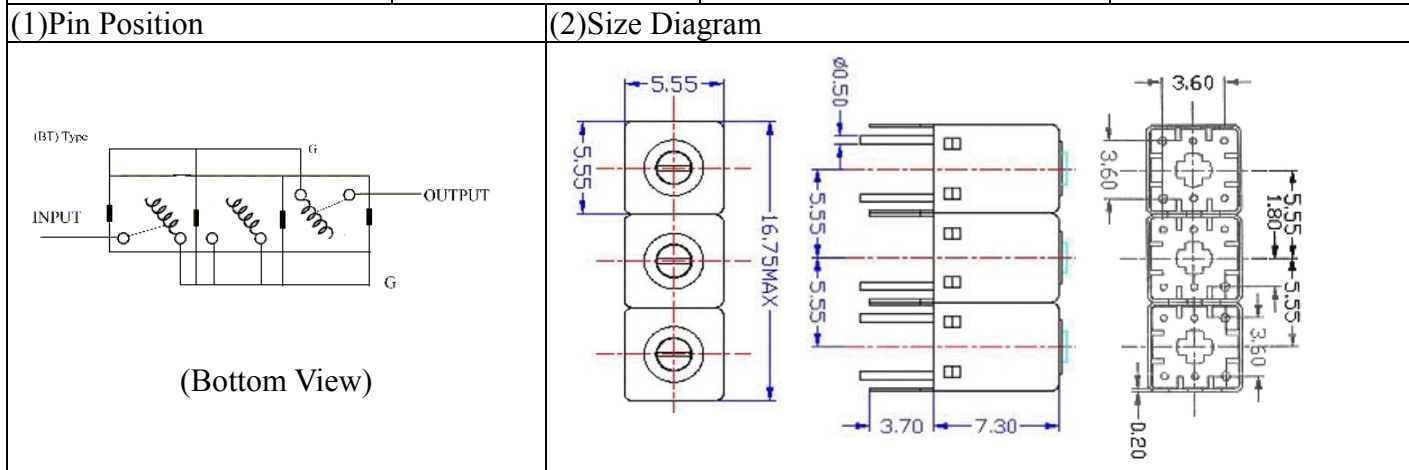


# VHF UHF Helical Filter Specification Sheet

Customer Name		Temwell's Part No.	K3RBT-862M-20M
Approval No. /dated	0907064CD	Temwell,s print name	K3RBT 862M
Work Instruction No.	200907064CD	Date	Jul.24.2009



(3)Electric Character

Item	Specify	Performance
Center Freq.(Fo) +/- 0.5 %	862 MHz	862 MHz
Insertion Loss	Typ. 4.0 dB	2.76 dB
-3 dB Bandwidth	Typ. 20 MHz	26.7 MHz
Sensitivity (Attenuation)	Fo - 50 MHz	Typ. 24 dBc
	Fo + 50 MHz	Typ. 20 dBc
	Fo - ( )MHz	Typ. dBc
	Fo +( )MHz	Typ. dBc
Return Loss	Min. 12 dB	38.6 dB
Ripple	< 1 dB	
Impedance	In / Out : 50 Ω	In / Out : 50 Ω
(4)Torque for Tuning Screw	> 60gf • cm	

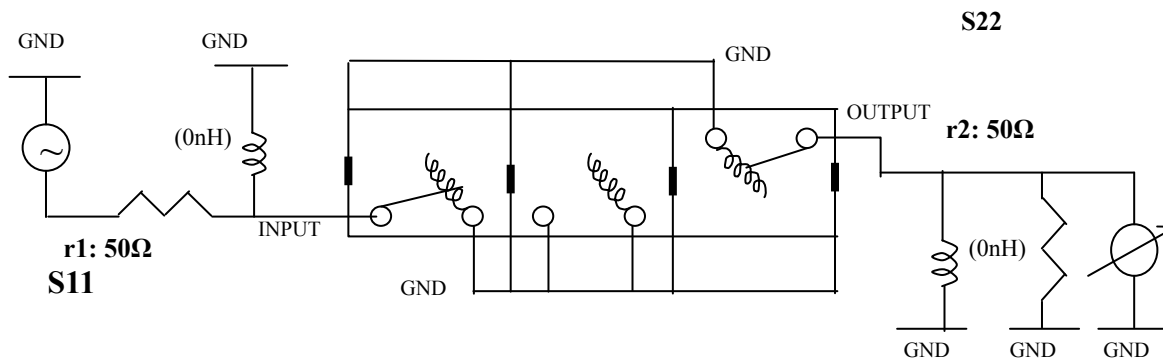
(5)Temperature Condition:

Operating Temperature	0°C ~ +60°C
Storage Temperature	-20°C ~ +70°C

(6)Input Power

> 0.5Watt

(7)Measuring Circuit: ※Easy to match Impedance S11/S22 50Ω by parallel with about( 0 nH) / ( 0 nH).



(Bottom View)

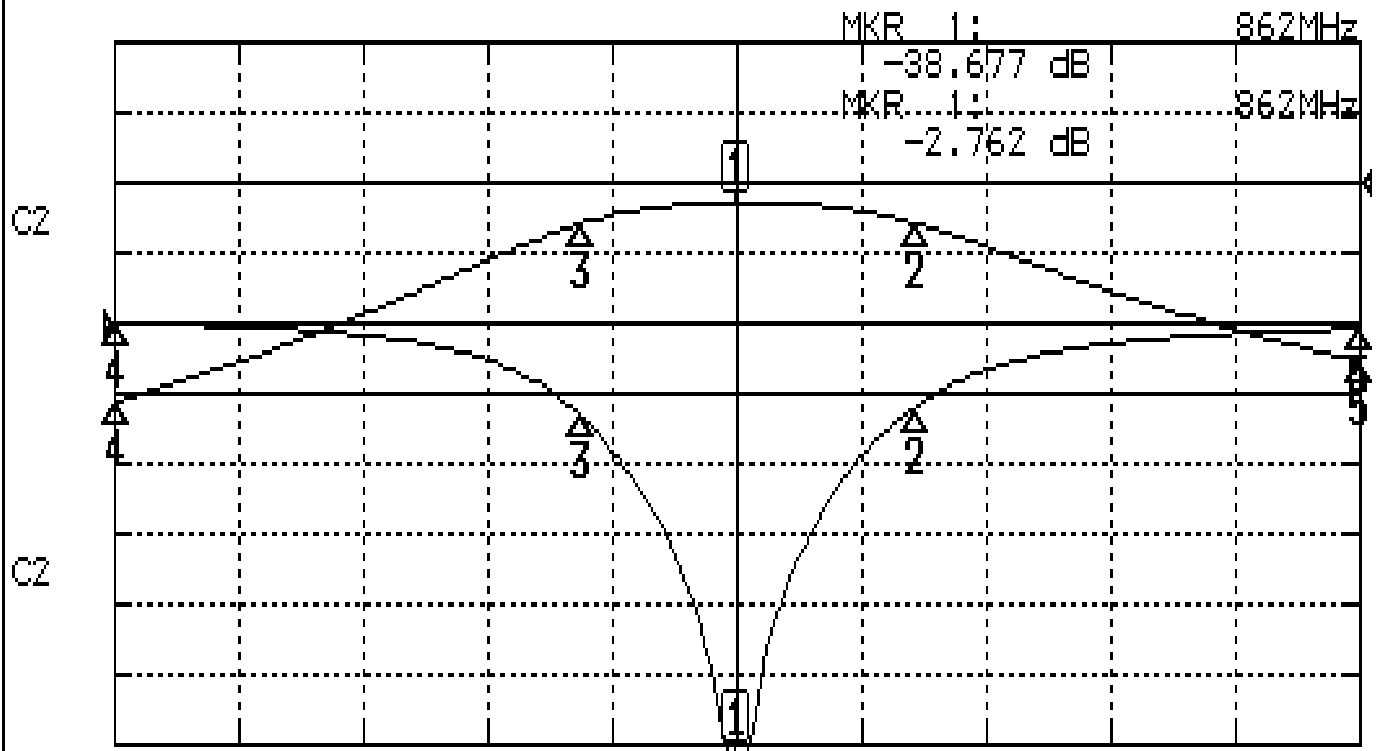
Approval	Supervisor	Designer	Aperture size
C.Y.Chang	C.K.Chang	C.H.Yeh	5R3S(3.8*4.2)(4.27) 5HW024RB3

TEMWELL CORPORATION

# Performance-K3RBT-862M-20M

## 200907064CD

**CH1** S11                      LOG MAG                      REF 0.000 dB                      5.000 dB/  
**CH2** S21                      LOG MAG                      REF 0.000 dB                      10.000 dB/



CENTER 862MHz

[ 10.00 dBm ]

SPAN 100MHz

**CH1 MARKER LIST**

1:	862.000MHz	-38.677	dB
2:	876.250MHz	-5.966	dB
3:	849.583MHz	-6.672	dB
4:	812.000MHz	-0.022	dB
5:	912.000MHz	-0.370	dB

**CH2 MARKER LIST**

1:	862.000MHz	-2.762	dB
2:	876.250MHz	-5.780	dB
3:	849.583MHz	-5.740	dB
4:	812.000MHz	-31.305	dB
5:	912.000MHz	-25.375	dB