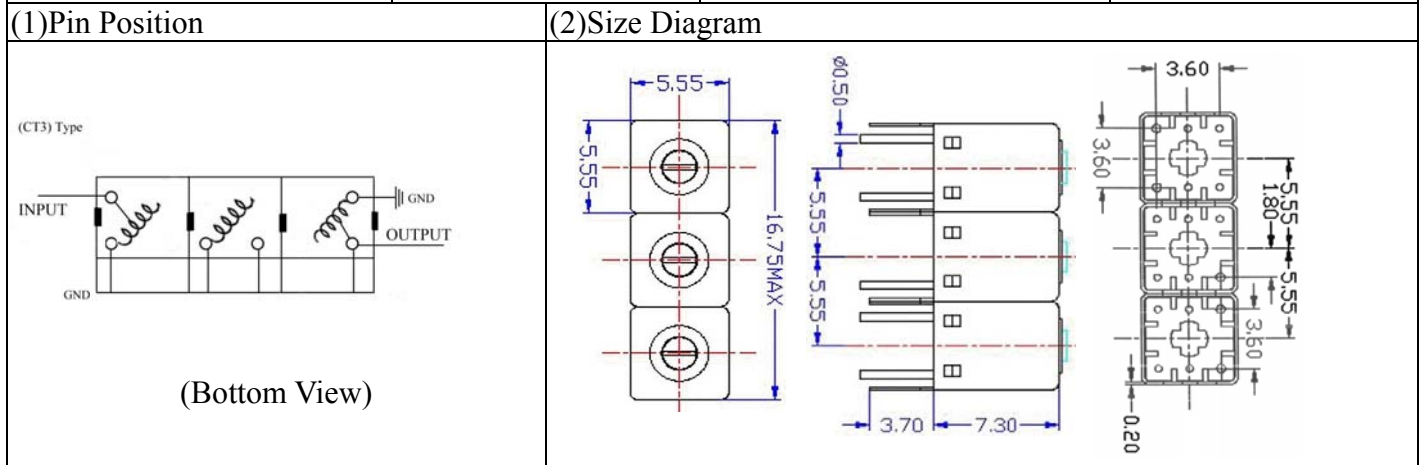
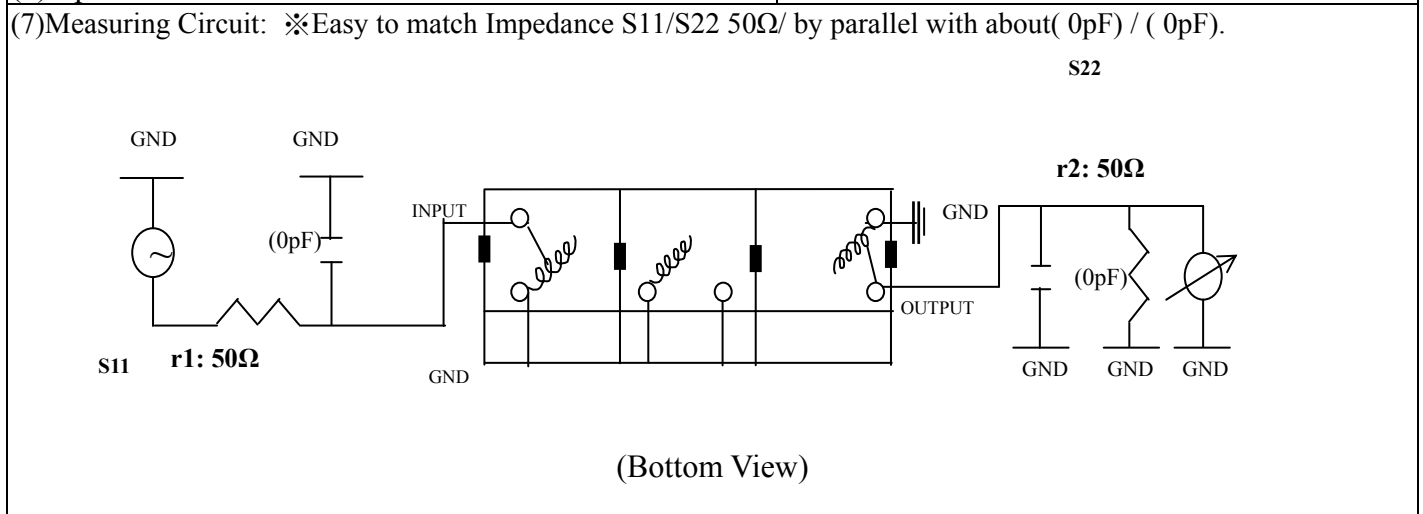


VHF UHF Helical Filter Specification Sheet

Customer Name		Temwell's Part No.	K3RCT3-1125M-20M
Approval No. /dated	0906104CD	Temwell,s print name	K3RCT3 1125M
Work Instruction No.	200906104CD	Date	Jul.17.2009



(3) Electric Characteristic			
Item	Specify		Performance
Center Freq.(Fo) +/- 0.5 %	1125	MHz	1125 MHz
Insertion Loss	Typ. 4.5	dB	4.06 dB
-3 dB Bandwidth	Typ. 20	MHz	25.6 MHz
Sensitivity (Attenuation)	Fo - 50 MHz	Typ. 20 dBc	38 dBc
	Fo + 50 MHz	Typ. 18 dBc	30 dBc
	Fo - ()MHz	Typ. dBc	dBc
	Fo + ()MHz	Typ. dBc	dBc
Return Loss	Min. 12	dB	26.6 dB
Ripple	< 1	dB	dB
Impedance	In / Out : 50 Ω		In / Out : 50 Ω
(4) Torque for Tuning Screw	> 60gf • cm		
(5) Temperature Condition:			
Operating Temperature	0°C ~ +60°C		
Storage Temperature	-20°C ~ +70°C		
(6) Input Power	> 0.5Watt		



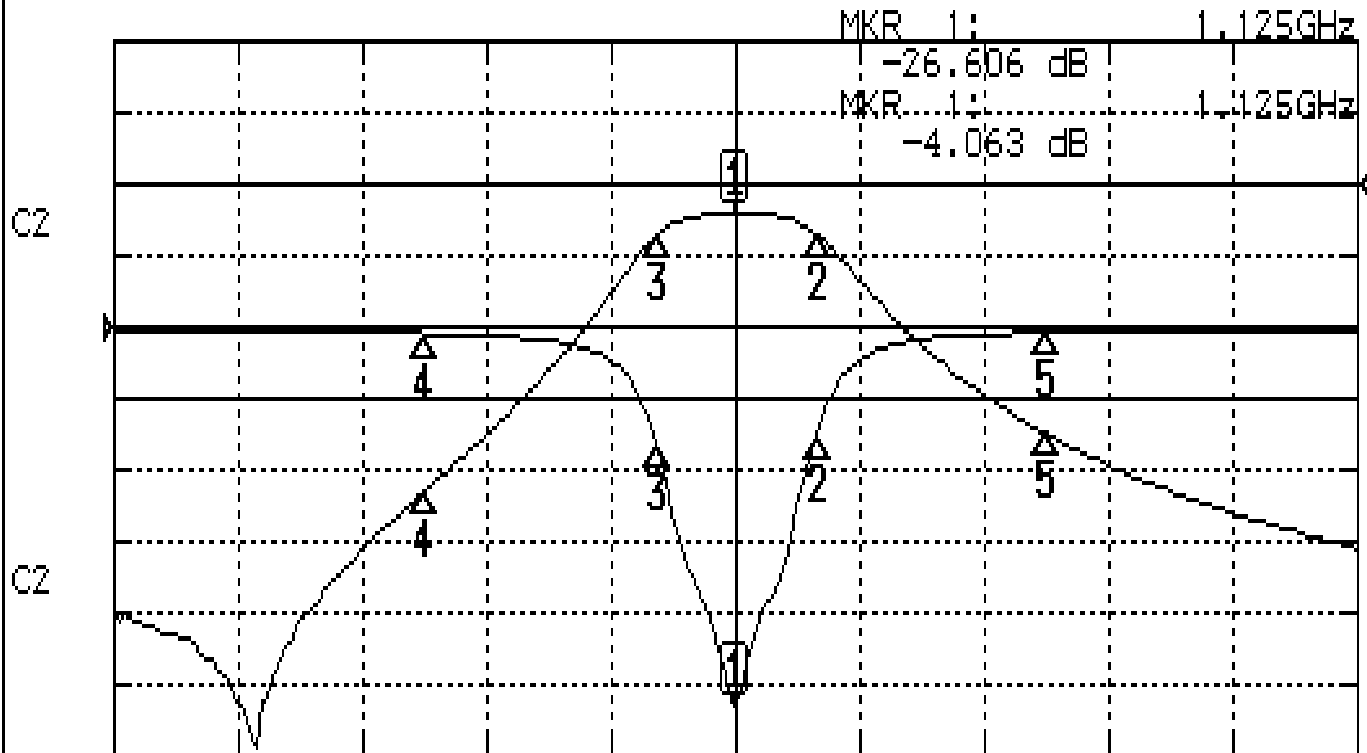
Approval	Supervisor	Designer	Aperture size
C.Y.Chang	C.K.Chang	C.H.Yeh	5R3S(3.8*3.7)(3.79) 5HW024RB3

TEMWELL CORPORATION

Performance-K3RCT3-1125M-20M

200906104CD

CH1 S11 LOG MAG REF 0.000 dB 5.000 dB/
CH2 S21 LOG MAG REF 0.000 dB 10.000 dB/



CENTER 1.125GHz

[10.00 dBm]

SPAN 200MHz

CH1 MARKER LIST

Marker	Freq (GHz)	Magnitude (dB)
1	1.125000	-26.610
2	1.138166	-7.320
3	1.112500	-8.370
4	1.075000	-0.442
5	1.175000	-0.388

CH2 MARKER LIST

Marker	Freq (GHz)	Magnitude (dB)
1	1.125000	-4.063
2	1.138166	-7.017
3	1.112500	-7.015
4	1.075000	-42.961
5	1.175000	-34.982