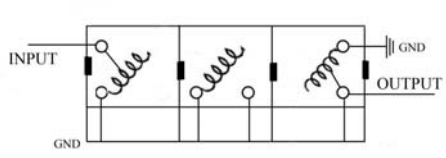
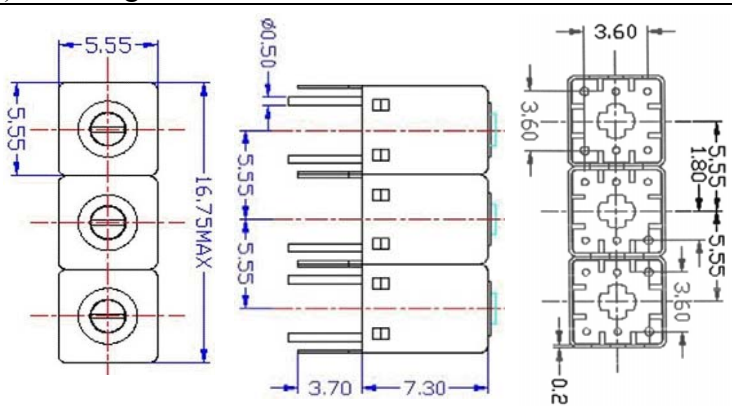
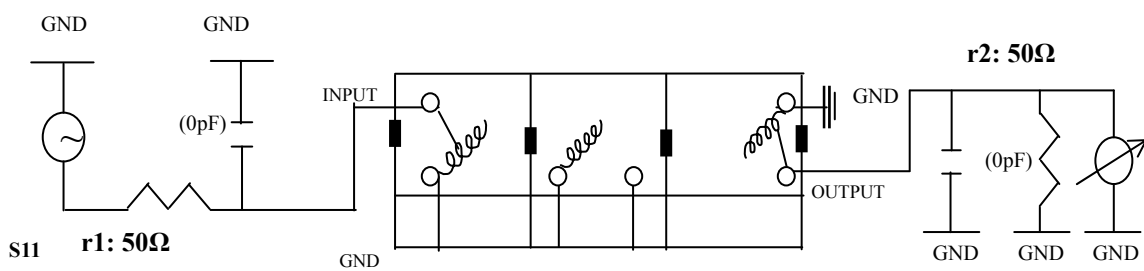


# VHF UHF Helical Filter Specification Sheet

Customer Name		Temwell's Part No.	K3RCT3-1230M-20M
Approval No. /dated	0907089CD	Temwell,s print name	K3RCT3 1230M
Work Instruction No.	200907089CD	Date	Jul.30.2009

(1)Pin Position	(2)Size Diagram
<p>(CT3) Type</p>  <p>(Bottom View)</p>	

(3)Electric Charasteric			
Item		Specify	Performance
Center Freq.(Fo ) +/- 0.5 %		1230 MHz	1230 MHz
Insertion Loss		Typ. 4.5 dB	3.99 dB
-3 dB Bandwidth		Typ. 20 MHz	29.9 MHz
Sensitivity (Attenuation )	Fo - 50 MHz	Typ. 20 dBc	29 dBc
	Fo + 50 MHz	Typ. 16 dBc	25 dBc
	Fo - ( )MHz	Typ. dBc	dBc
	Fo +( )MHz	Typ. dBc	dBc
Return Loss		Min. 12 dB	28.8 dB
Ripple		< 1 dB	dB
Impedance		In / Out : 50 Ω	In / Out : 50 Ω
(4)Torque for Tuning Screw		> 60gf · cm	
(5)Temperature Condition:			
Operating Temperature		0°C ~ +60°C	
Storage Temperature		-20°C ~ +70°C	
(6)Input Power		> 0.5Watt	

(7)Measuring Circuit: ※Easy to match Impedance S11/S22 50Ω/ by parallel with about( 0 pF) / ( 0 pF).			
S22			
			
(Bottom View)			

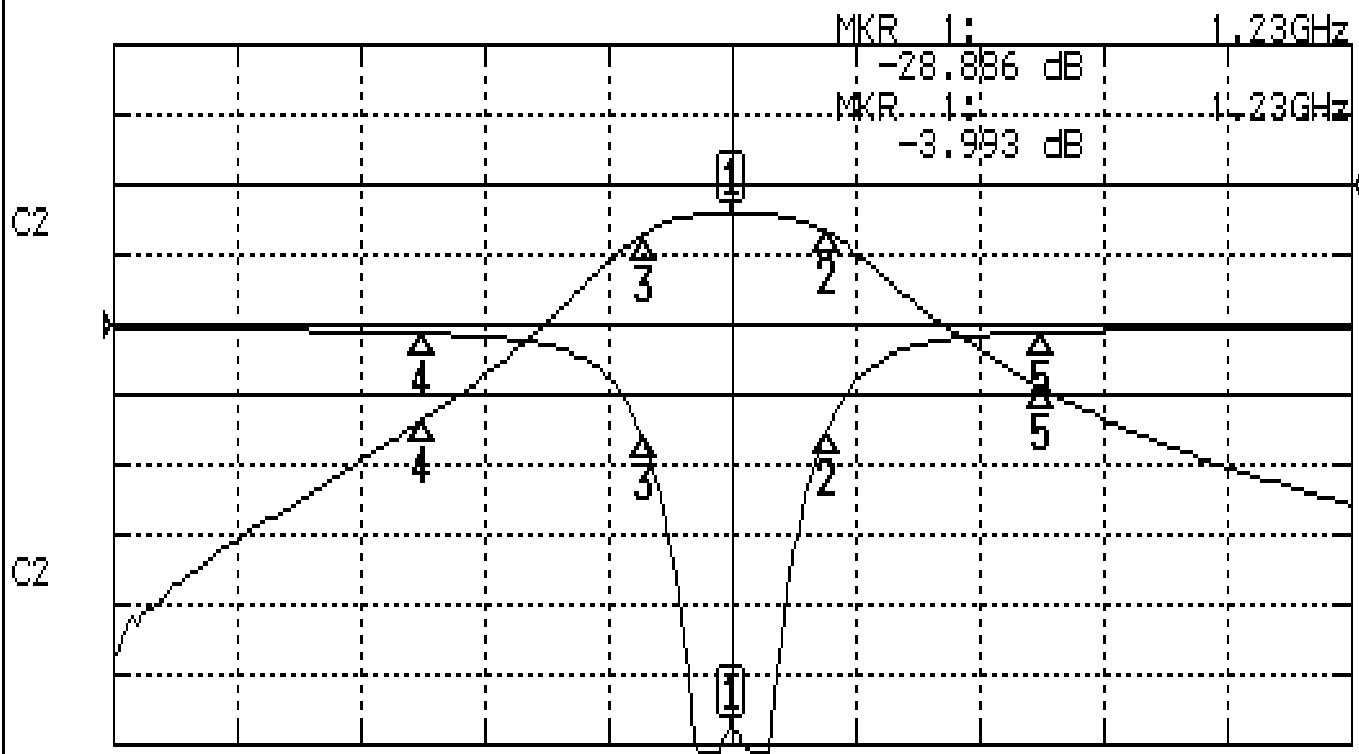
Approval	Supervisor	Designer	Aperture size
C.Y.Chang	C.K.Chang	C.H.Yeh	5R3S(3.8*3.7)(3.79) 5HW024RB3

TEMWELL CORPORATION

# Performance-K3RCT3-1230M-20M

## 200907089CD

**CH1** S11      LOG MAG      REF 0.000 dB      5.000 dB/  
**CH2** S21      LOG MAG      REF 0.000 dB      10.000 dB/



CENTER 1.23GHz

[ 10.00 dBm ]

SPAN 200MHz

### CH1 MARKER LIST

Marker	Freq (GHz)	Magnitude (dB)
1	1.230 000	-28.886
2	1.245 500	-7.508
3	1.215 666	-0.135
4	1.180 000	-0.645
5	1.280 000	-0.555

### CH2 MARKER LIST

Marker	Freq (GHz)	Magnitude (dB)
1	1.230 000	-3.990
2	1.245 500	-6.930
3	1.215 666	-6.994
4	1.180 000	-30.753
5	1.280 000	-29.040