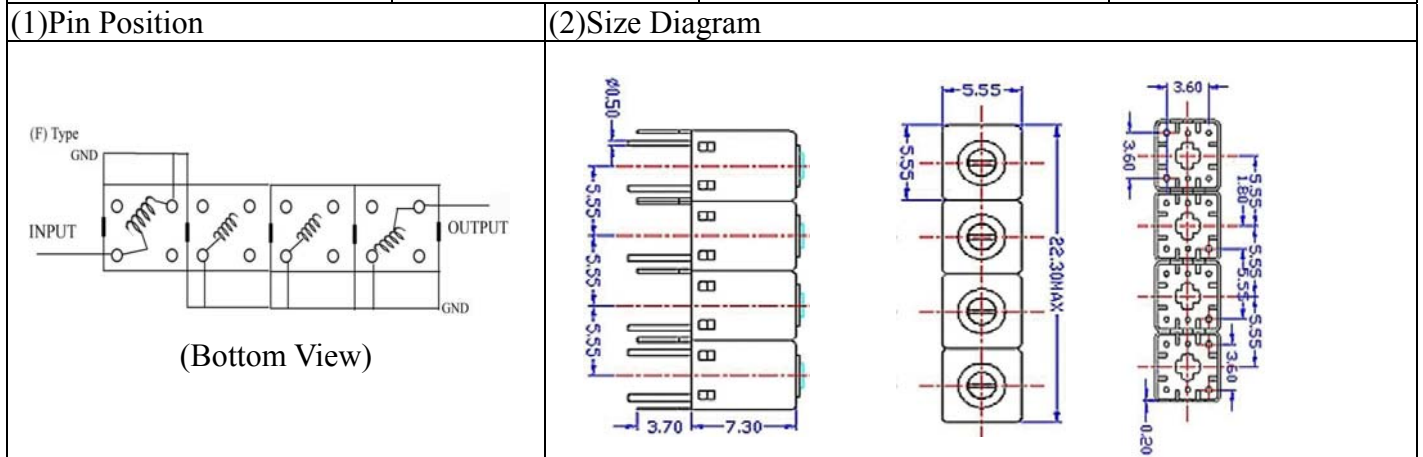


VHF UHF Helical Filter Specification Sheet

Customer Name		Temwell's Part No.	K4RF-1010M-20M
Approval No. /dated	0905065 CD	Temwell's Print Name.	K4RF 1010M
Work Instruction No.	200905065CD	Date	Jun.06.2009



(3) Electric Characteristic

Item	Specify	Performance	
Center Freq.(Fo) +/- 0.5 %	1010 MHz	1010 MHz	
Insertion Loss	Typ. 5.0 dB	4.14 dB	
-3 dB Bandwidth	Typ. 20 MHz	28.8 MHz	
Sensitivity (Attenuation)	Fo - 50 MHz	Typ. 41 dBc	44 dBc
	Fo + 50 MHz	Typ. 35 dBc	38 dBc
	Fo - ()MHz	Typ. dBc	dBc
	Fo + ()MHz	Typ. dBc	dBc
Return Loss	Min. 12 dB	46.9 dB	
Ripple	< 1 dB	dB	
Impedance	In / Out : 50 Ω	In / Out : 50 Ω	

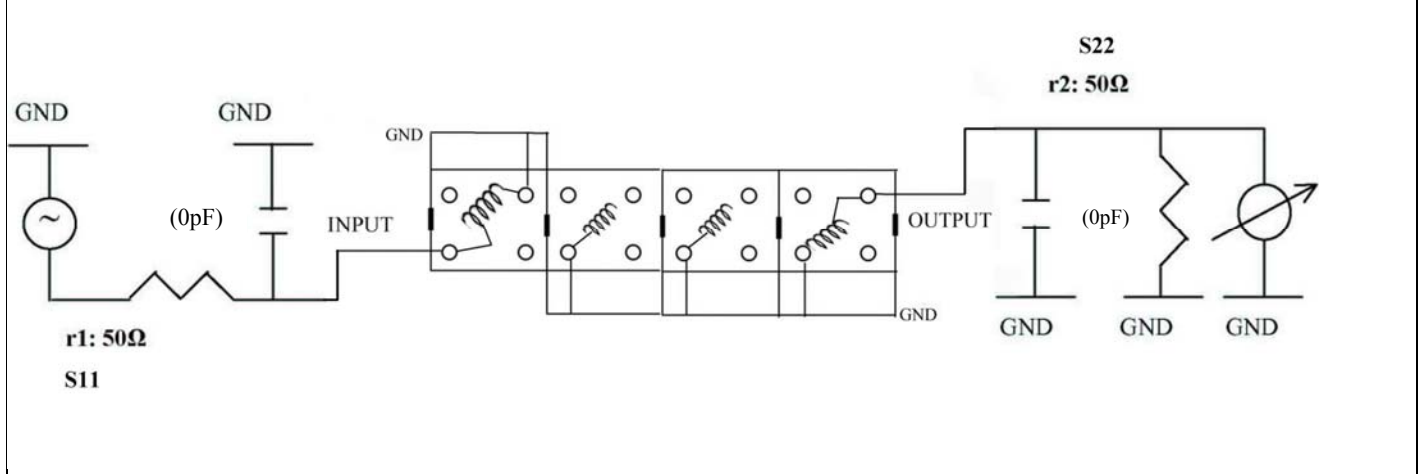
(4) Torque for Tuning Screw > 60gf • cm

(5) Temperature Condition:

Operating Temperature	0°C ~ +60°C
Storage Temperature	-20°C ~ +70°C

(6) Input Power > 0.5Watt

(7) Measuring Circuit: ※Easy to match Impedance S11/S22 50Ω by parallel with about(0pF) / (0pF).



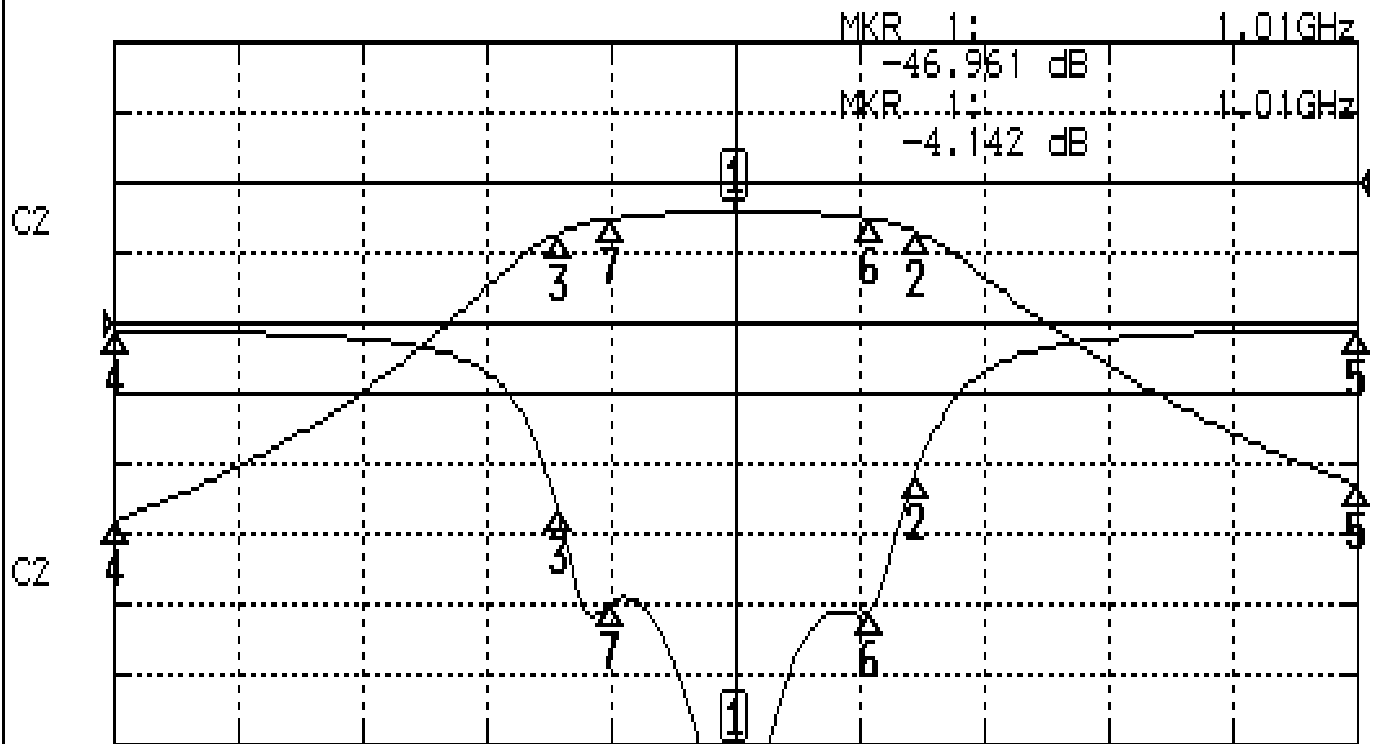
Approval	Supervisor	Designer	Aperture size
C.Y.Chang	C.K.Chang	W.W.Wang	5R4(3.8*3.7)(3.72) 5HW024LB3

TEMWELL CORPORATION

Performance-K4RF-1010M-20M

200905065CD

CH1 S11 LOG MAG REF 0.000 dB 5.000 dB/
CH2 S21 LOG MAG REF 0.000 dB 10.000 dB/



CENTER 1.01GHz

[10.00 dBm]

SPAN 100MHz

CH1 MARKER LIST

Marker	Frequency (GHz)	Magnitude (dB)
1:	1.010 000GHz	-46.961 dB
2:	1.024 583GHz	-10.697 dB
3:	0.995 750MHz	-13.250 dB
4:	0.960 000MHz	-0.481 dB
5:	1.060 000GHz	-0.456 dB
6:	1.020 916GHz	-20.331 dB
7:	1.000 083GHz	-19.859 dB
8:		
9:		
10:		

CH2 MARKER LIST

Marker	Frequency (GHz)	Magnitude (dB)
1:	1.010 000GHz	-4.142 dB
2:	1.024 583GHz	-7.111 dB
3:	0.995 750MHz	-7.159 dB
4:	0.960 000MHz	-48.165 dB
5:	1.060 000GHz	-43.073 dB
6:	1.020 916GHz	-55.183 dB
7:	1.000 083GHz	-55.107 dB
8:		
9:		
10:		