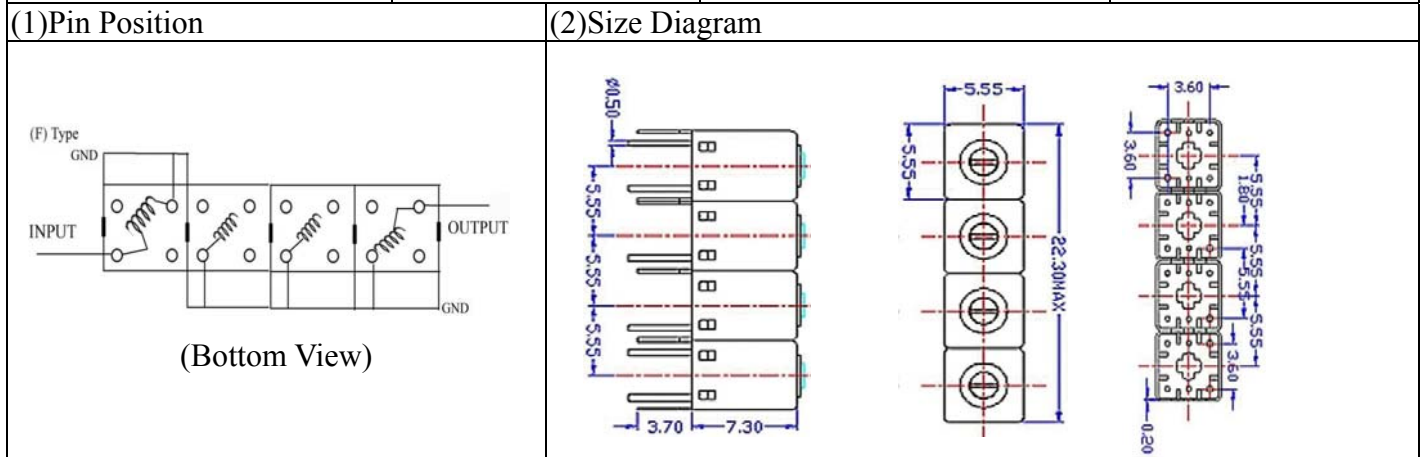


VHF UHF Helical Filter Specification Sheet

Customer Name		Temwell's Part No.	K4RF-1055M-20M
Approval No. /dated	0905066CD	Temwell's Print Name.	K4RF 1055M
Work Instruction No.	200905066CD	Date	Jun.06.2009



(3) Electric Characteristic

Item	Specify	Performance	
Center Freq.(Fo) +/- 0.5 %	1055 MHz	1055 MHz	
Insertion Loss	Typ. 5.0 dB	4.47 dB	
-3 dB Bandwidth	Typ. 20 MHz	29.4 MHz	
Sensitivity (Attenuation)	Fo - 50 MHz	Typ. 37 dBc	40 dBc
	Fo + 50 MHz	Typ. 38 dBc	41 dBc
	Fo - ()MHz	Typ. dBc	dBc
	Fo + ()MHz	Typ. dBc	dBc
Return Loss	Min. 12 dB	16.7 dB	
Ripple	< 1 dB	dB	
Impedance	In / Out : 50 Ω	In / Out : 50 Ω	

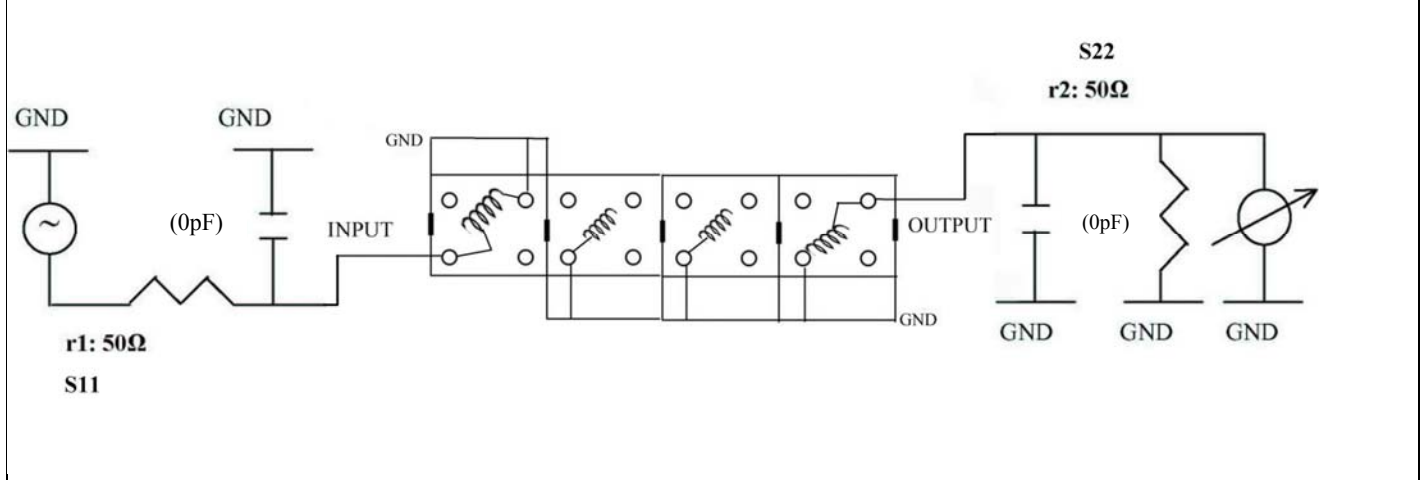
(4) Torque for Tuning Screw > 100gf • cm

(5) Temperature Condition:

Operating Temperature	0°C ~ +60°C
Storage Temperature	-20°C ~ +70°C

(6) Input Power > 0.5Watt

(7) Measuring Circuit: ※Easy to match Impedance S11/S22 50Ω by parallel with about(0pF) / (0pF).



Approval C.Y.Chang	Supervisor C.K.Chang	Designer C.S.Chang	Aperture size 5R4(3.8*3.7)(3.64) 5HW024RB3
-----------------------	-------------------------	-----------------------	--

TEMWELL CORPORATION

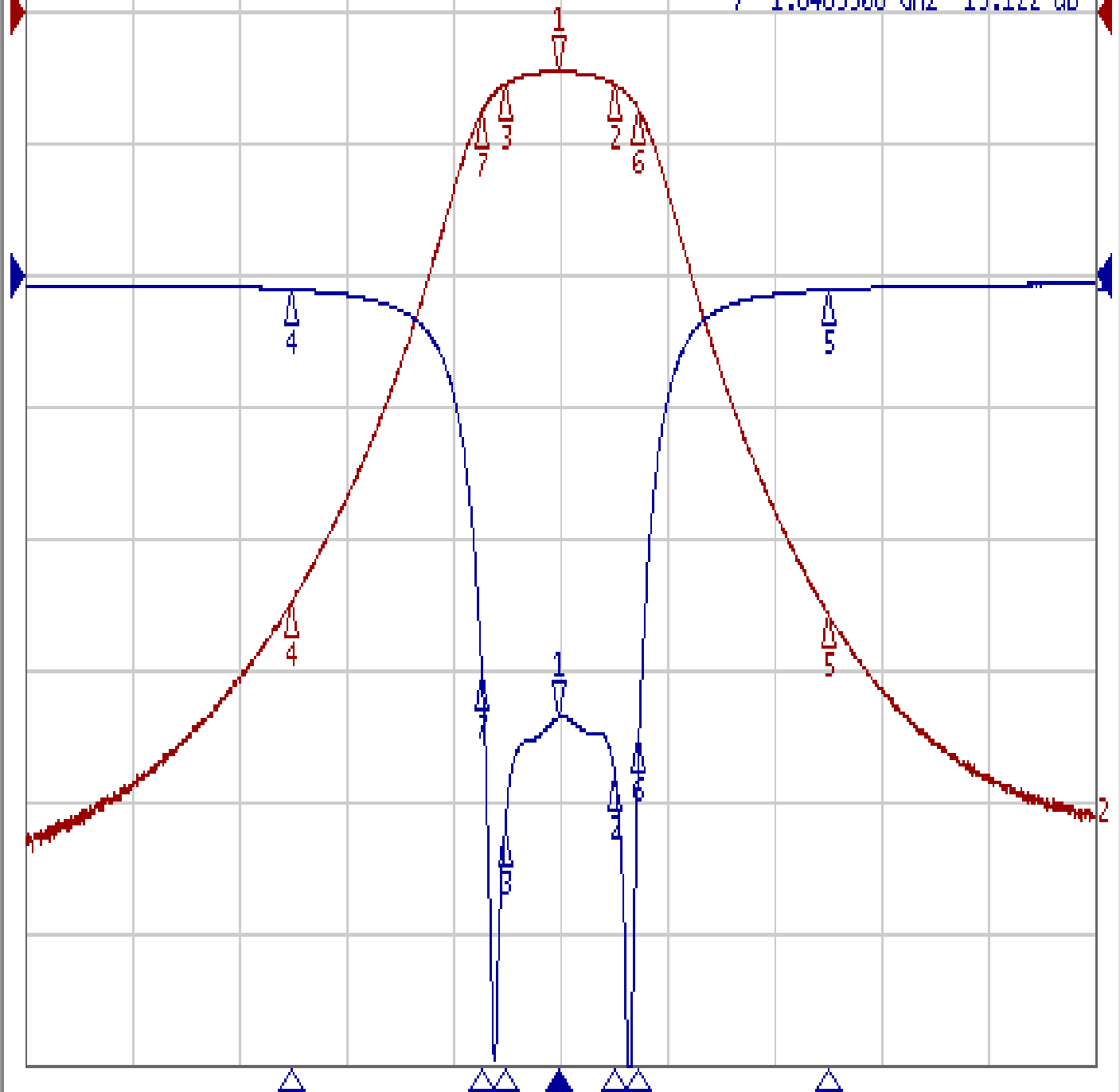
Performance-K4RF-1055M-20M

200905066CD

Tr1 S11 Log Mag 5.000dB/ Ref 0.000dB [F3]
Tr2 S21 Log Mag 10.000dB/ Ref 0.000dB [F3]

1	1.0550000	GHz	-4.4711	dB
2	1.0651560	GHz	-5.4196	dB
3	1.0446560	GHz	-5.4348	dB
4	1.0050000	GHz	-44.648	dB
5	1.1050000	GHz	-45.632	dB
6	1.0697560	GHz	-7.4021	dB
7	1.0403560	GHz	-7.4841	dB

>1	1.0550000	GHz	-16.777	dB
2	1.0651560	GHz	-18.950	dB
3	1.0446560	GHz	-21.033	dB
4	1.0050000	GHz	-0.5126	dB
5	1.1050000	GHz	-0.5209	dB
6	1.0697560	GHz	-17.571	dB
7	1.0403560	GHz	-15.122	dB



1 Center 1.055 GHz

IFBW 10 kHz

Span 200 MHz

