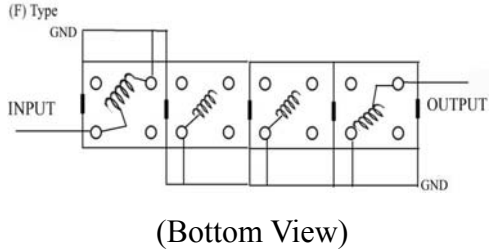
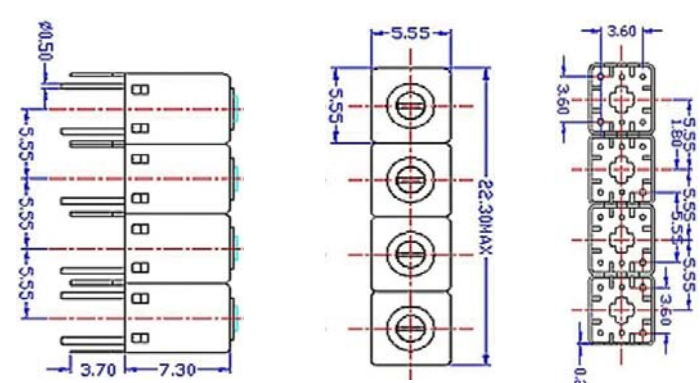


# VHF UHF Helical Filter Specification Sheet

Customer Name		Temwell's Part No.	K4RF-1125M-20M
Approval No. /dated	0905068CD	Temwell's Print Name.	K4RF 1125M
Work Instruction No.	200905068CD	Date	Jun.04.2009

<p>(1) Pin Position</p>  <p>(F) Type GND INPUT OUTPUT GND (Bottom View)</p>	<p>(2) Size Diagram</p> 
--	--

(3) Electric Characteristic

Item	Specify	Performance
Center Freq.(Fo) +/- 0.5 %	1125 MHz	1125 MHz
Insertion Loss	Typ. 5.0 dB	4.49 dB
-3 dB Bandwidth	Typ. 20 MHz	30.7 MHz
Sensitivity (Attenuation)	Fo - 50 MHz	Typ. 37 dBc
	Fo + 50 MHz	Typ. 41 dBc
	Fo - ( )MHz	Typ. dBc
	Fo +( )MHz	Typ. dBc
Return Loss	Min. 12 dB	16.5 dB
Ripple	< 1 dB	dB
Impedance	In / Out : 50 Ω	In / Out : 50 Ω

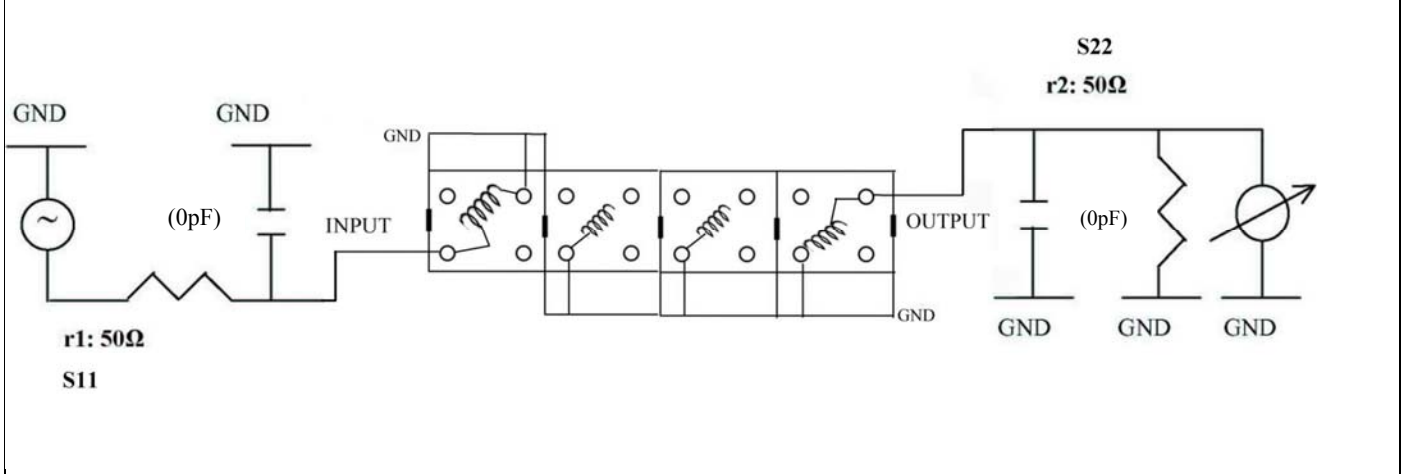
(4) Torque for Tuning Screw > 100gf · cm

(5) Temperature Condition:

Operating Temperature	0°C ~ +60°C
Storage Temperature	-20°C ~ +70°C

(6) Input Power > 0.5Watt

(7) Measuring Circuit: ※Easy to match Impedance S11/S22 50Ω by parallel with about( 0pF) / ( 0pF).



Approval C.Y.Chang	Supervisor C.K.Chang	Designer C.S.Chang	Aperture size 5R4(3.8*3.7)(3.64) 5HW024RB3
-----------------------	-------------------------	-----------------------	--

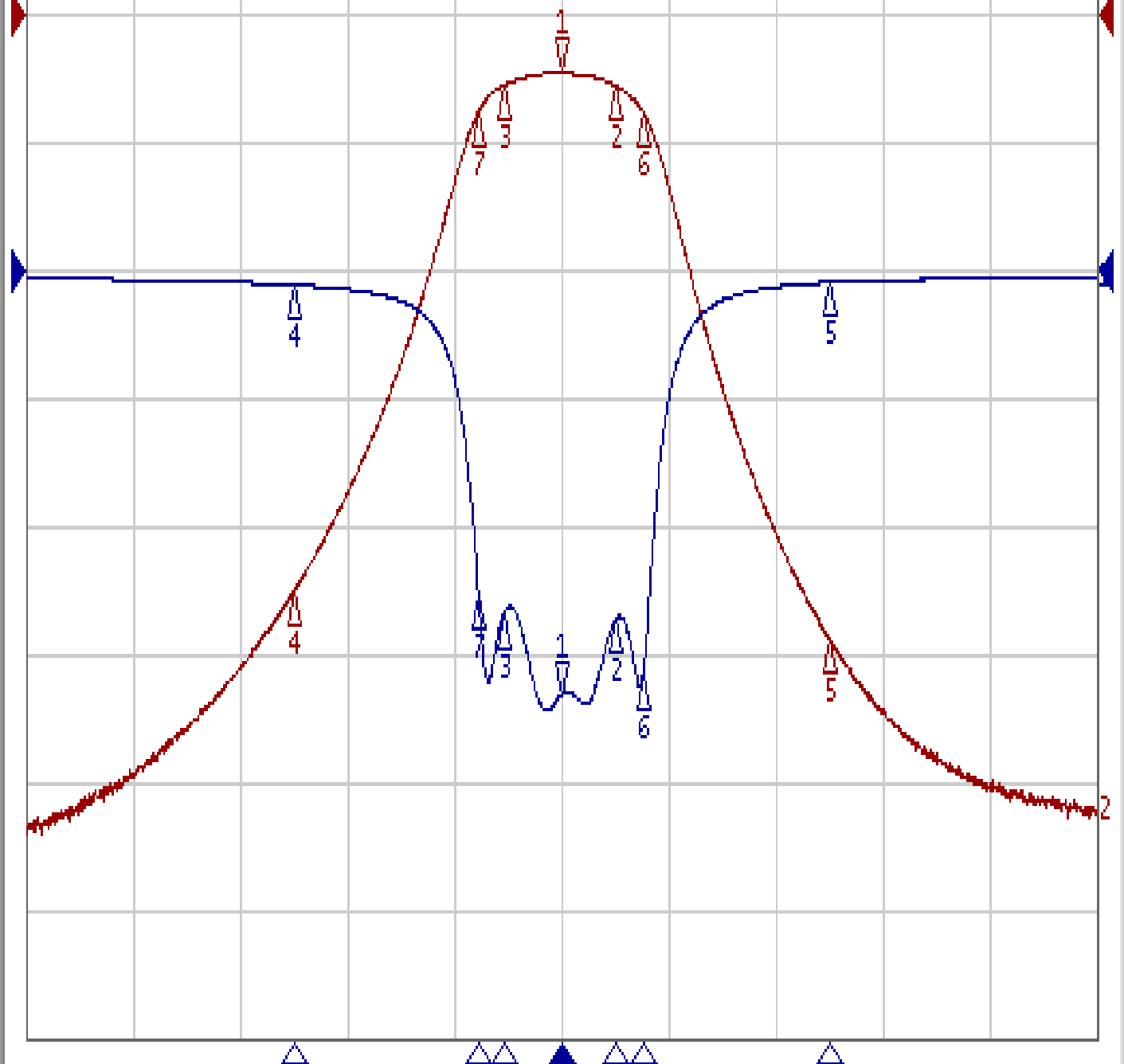
TEMWELL CORPORATION

# Performance-K4RF-1125M-20M

200905068CD

Tr1 S11 Log Mag 5.000dB/ Ref 0.000dB [F3]  
Tr2 S21 Log Mag 10.00dB/ Ref 0.000dB [F3]

1	1.1250000 GHz	-4.4901 dB	>1	1.1250000 GHz	-16.557 dB
2	1.1352220 GHz	-5.5125 dB	2	1.1352220 GHz	-13.584 dB
3	1.1142153 GHz	-5.4455 dB	3	1.1142153 GHz	-13.395 dB
4	1.0750000 GHz	-44.996 dB	4	1.0750000 GHz	-0.5221 dB
5	1.1750000 GHz	-48.717 dB	5	1.1750000 GHz	-0.4284 dB
6	1.1402010 GHz	-7.4822 dB	6	1.1402010 GHz	-15.819 dB
7	1.1095210 GHz	-7.4666 dB	7	1.1095210 GHz	-12.699 dB



1 Center 1.125 GHz

IFBW 10 kHz

Span 200 MHz

