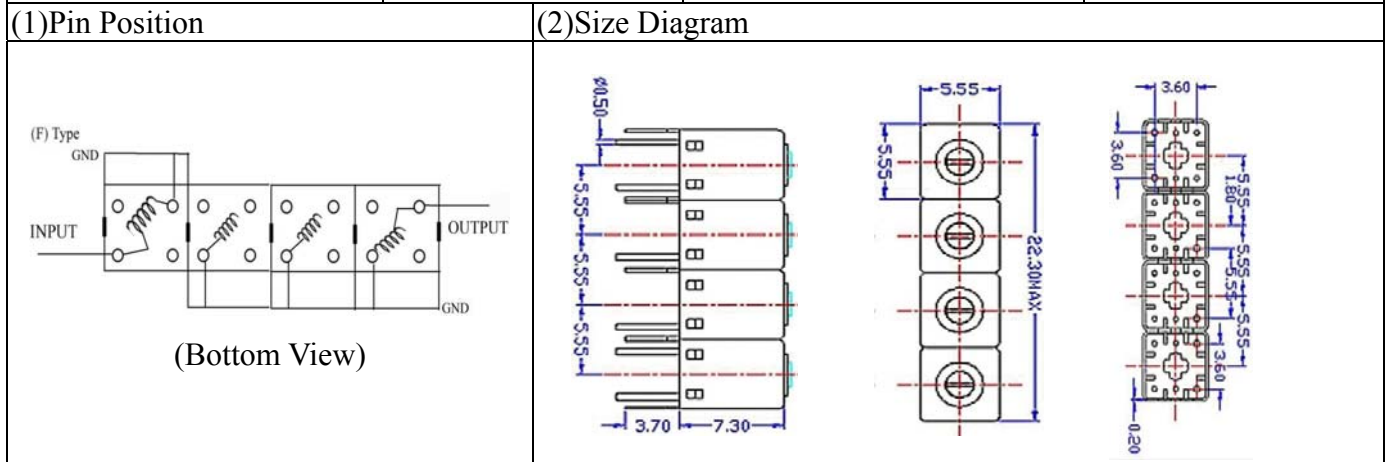


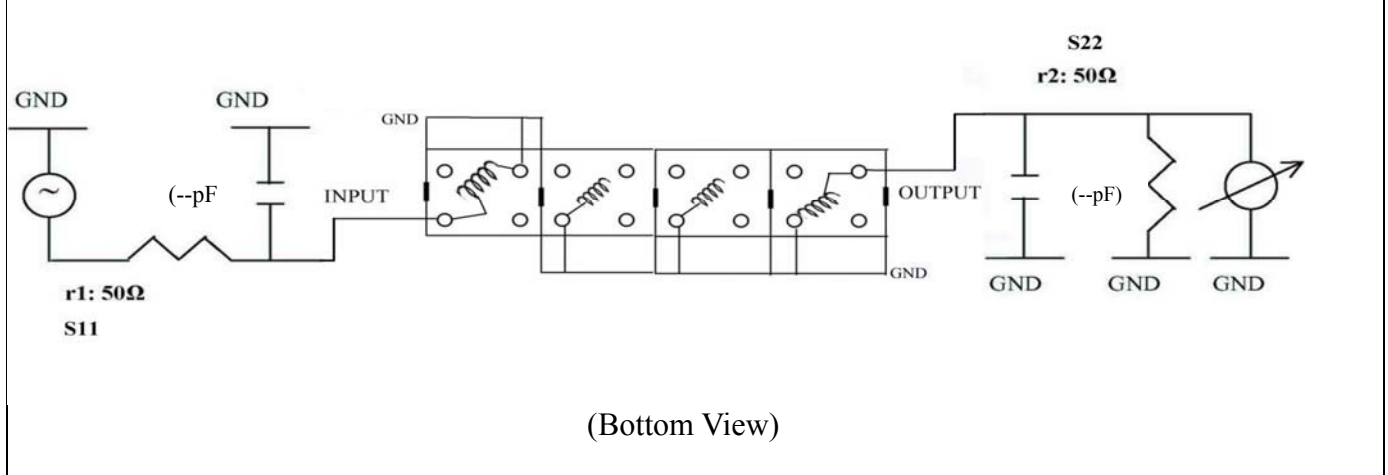
VHF UHF Helical Filter Specification Sheet

Customer Name		Temwell's Part No.	K4RF-360M-20M
Approval No. /dated	201006039CD	Temwell's Print Name.	K4RF 360M
Work Instruction No.	201006039CD	Date	Jul.07.2010



(3) Electric Characteristic		Specify	Performance
Item			
Center Freq.(Fo) +/- 0.5 %		360 MHz	360 MHz
Insertion Loss		Typ. 4.0 dB	2.65 dB
-3 dB Bandwidth		Typ. 20 MHz	25.8 MHz
Sensitivity (Attenuation)	Fo - 50 MHz	Typ. 48 dBc	52 dBc
	Fo + 50 MHz	Typ. 43 dBc	46 dBc
	Fo - ()MHz	Typ. dBc	dBc
	Fo +()MHz	Typ. dBc	dBc
Return Loss		Min. 12 dB	18.6 dB
Ripple		< 1 dB	dB
Impedance		In / Out : 50 Ω	In / Out : 50 Ω
(4) Torque for Tuning Screw		> 60gf • cm	
(5) Temperature Condition:			
Operating Temperature		0°C ~ +60°C	
Storage Temperature		-20°C ~ +70°C	
(6) Input Power		> 0.5Watt	

(7) Measuring Circuit: ※ Easy to match Impedance S11/S22 50Ω by parallel with about(--pF) / (--pF).



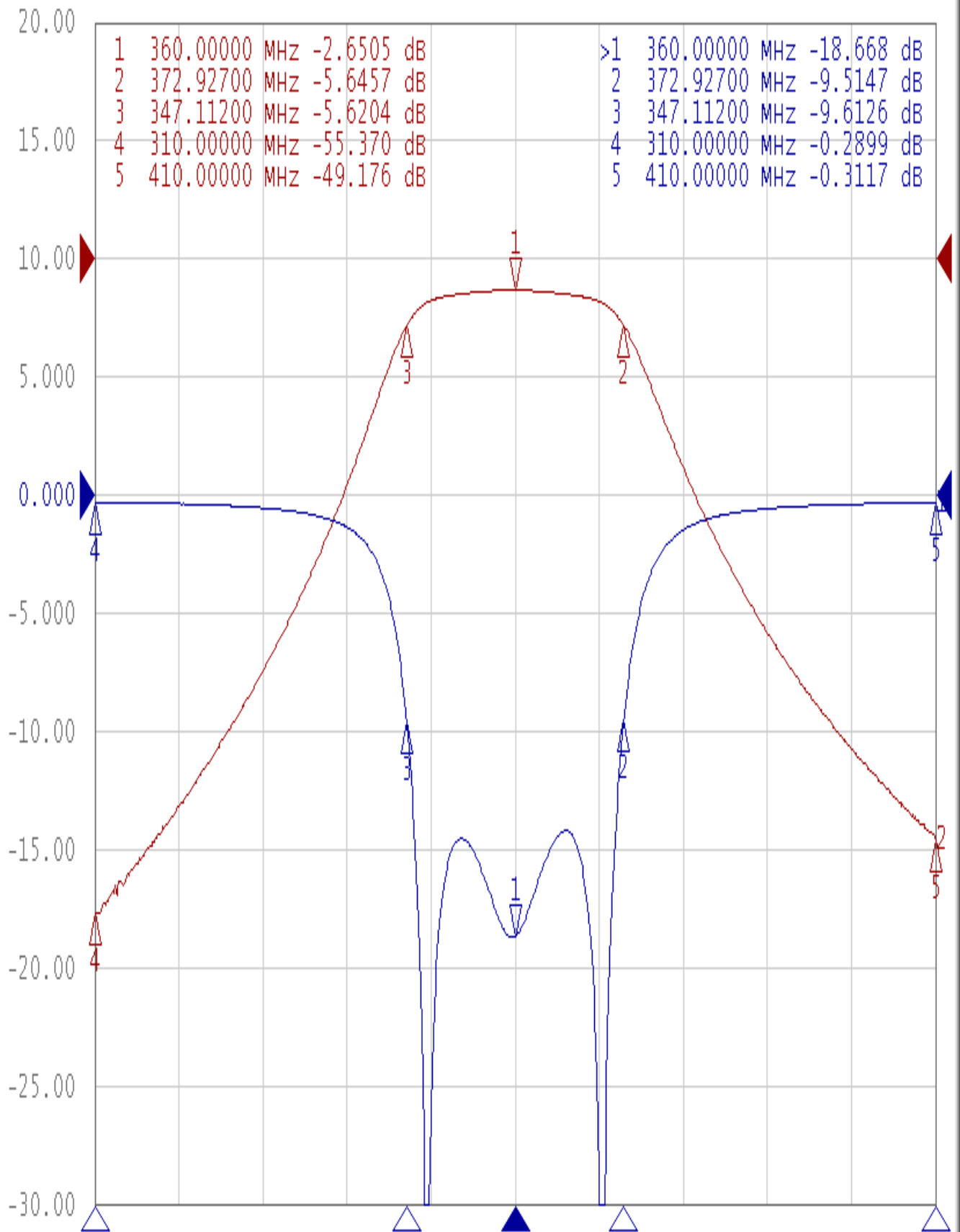
Approval	Supervisor	Designer	Aperture size
C.Y.Chang	C.K.Chang	C.S.Chang	5R4(3.8*4.65)(4.66) 5HW020RB3.5

TEMWELL CORPORATION

Performance-K4RF-360M-20M

201006039CD

Tr1 S11 Log Mag 5.000dB/ Ref 0.000dB [F2]
Tr2 S21 Log Mag 10.00dB/ Ref 0.000dB [F2]



1 Center 360 MHz

IFBW 10 kHz

Span 100 MHz Cor !