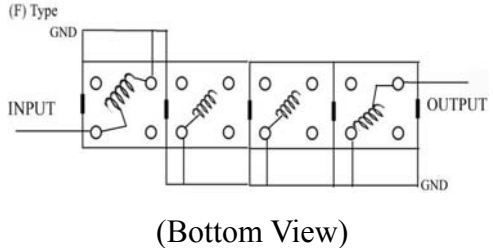
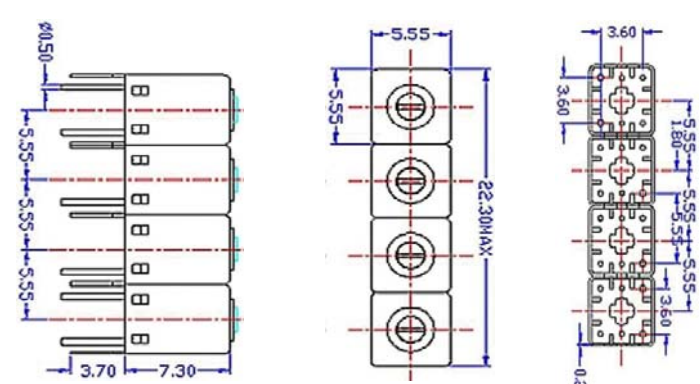


VHF UHF Helical Filter Specification Sheet

Customer Name		Temwell's Part No.	K4RF-420M-18M
Approval No. /dated	0904182 CD	Temwell's Print Name.	K4RF 420M
Work Instruction No.	200904182CD	Date	May.04.2009

<p>(1) Pin Position</p>  <p>(Bottom View)</p>	<p>(2) Size Diagram</p> 
--	--

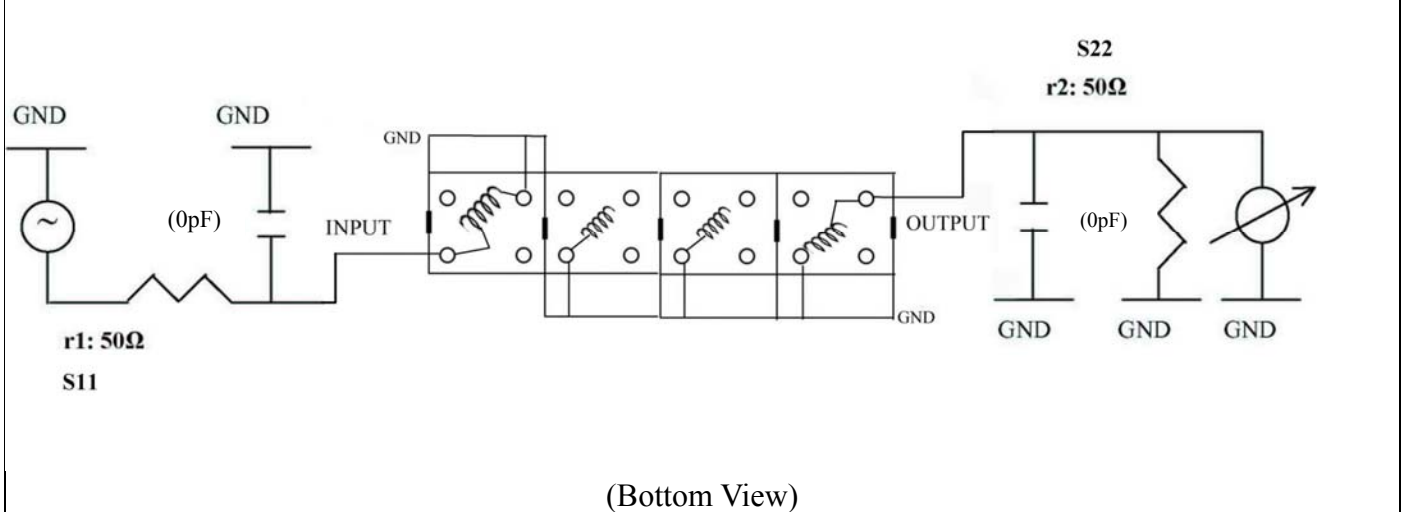
(3) Electric Characteristic			
Item		Specify	Performance
Center Freq.(Fo) +/- 0.5 %		420 MHz	420 MHz
Insertion Loss		Typ. 4.0 dB	3.05 dB
-3 dB Bandwidth		Typ. 18 MHz	21.7 MHz
Sensitivity (Attenuation)	Fo - 50 MHz	Typ. 55 dBc	58 dBc
	Fo + 50 MHz	Typ. 48 dBc	51 dBc
	Fo - ()MHz	Typ. dBc	dBc
	Fo +()MHz	Typ. dBc	dBc
Return Loss		Min. 12 dB	20.0 dB
Ripple		< 1 dB	dB
Impedance		In / Out : 50 Ω	In / Out : 50 Ω

(4) Torque for Tuning Screw > 60gf · cm

(5) Temperature Condition:	
Operating Temperature	0°C ~ +60°C
Storage Temperature	-20°C ~ +70°C

(6) Input Power > 0.5Watt

(7) Measuring Circuit: ※Easy to match Impedance S11/S22 50Ω by parallel with about(0pF) / (0pF).



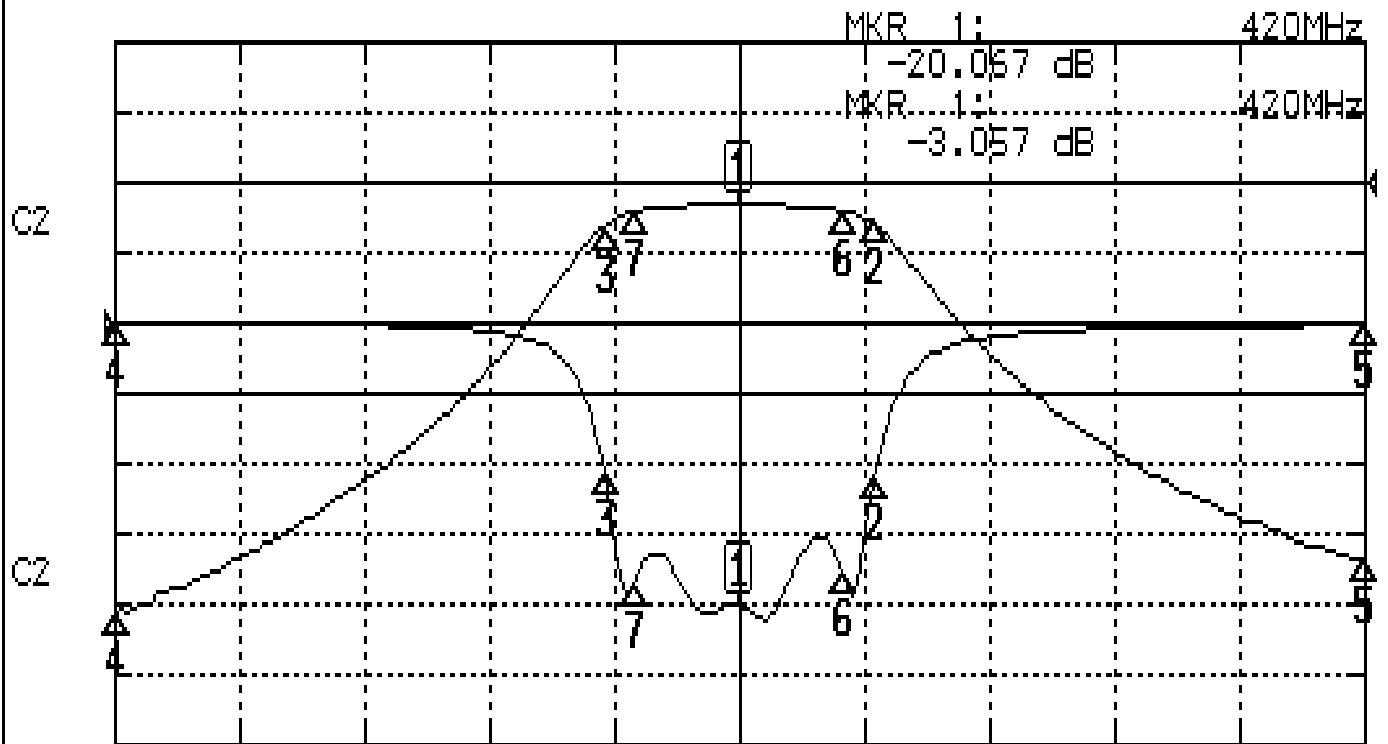
Approval	Supervisor	Designer	Aperture size
C.Y.Chang	C.S.Chang	W.W.Wang	5R4(3.8*4.2)(4.21) 5HW024RB3

TEMWELL CORPORATION

Performance-K4RF-420M-18M

200904182CD

CH1 S11 LOG MAG REF 0.000 dB 5.000 dB/
CH2 S21 LOG MAG REF 0.000 dB 10.000 dB/



CENTER 420MHz

[10.00 dBm]

SPAN 100MHz

CH1 MARKER LIST

Marker	Frequency (MHz)	Magnitude (dB)
1:	420.000	-20.067
2:	430.916	-10.675
3:	409.250	-10.746
4:	370.000	0.005
5:	470.000	-0.110
6:	428.333	-17.853
7:	411.666	-18.489

CH2 MARKER LIST

Marker	Frequency (MHz)	Magnitude (dB)
1:	420.000	-3.057
2:	430.916	-6.046
3:	409.250	-6.066
4:	370.000	-1.330
5:	470.000	-4.390
6:	428.333	-4.041
7:	411.666	-4.081