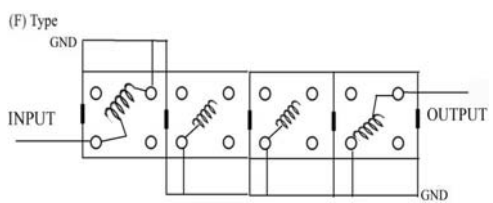
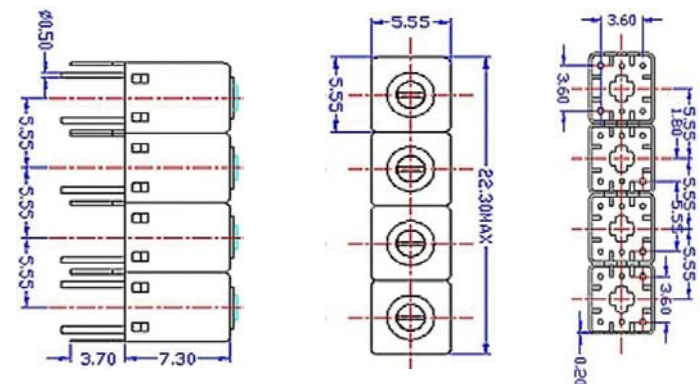


VHF UHF Helical Filter Specification Sheet

Customer Name		Temwell's Part No.	K4RF-440M-18M
Approval No. /dated	0904183CD	Temwell's Print Name.	K4RF 440M
Work Instruction No.	200904183CD	Date	May.04.2009

<p>(1) Pin Position</p>  <p style="text-align: center;">(Bottom View)</p>	<p>(2) Size Diagram</p> 
--	--

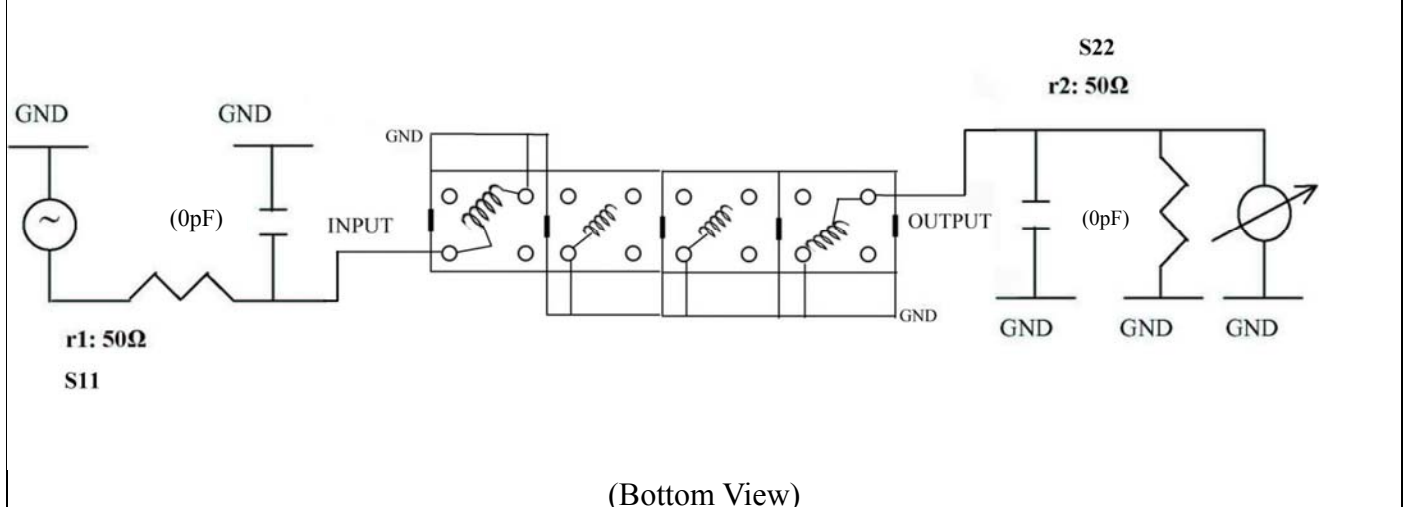
(3) Electric Chararistic			
Item	Specify	Performance	
Center Freq.(Fo) +/- 0.5 %	440 MHz	440	MHz
Insertion Loss	Typ. 4.0 dB	3.59	dB
-3 dB Bandwidth	Typ. 18 MHz	20.9	MHz
Sensitivity (Attenuation)	Fo - 50 MHz	Typ. 57 dBc	60 dBc
	Fo + 50 MHz	Typ. 44 dBc	47 dBc
	Fo - ()MHz	Typ. dBc	dBc
	Fo +()MHz	Typ. dBc	dBc
Return Loss	Min. 12 dB	22.9	dB
Ripple	< 1 dB		dB
Impedance	In / Out : 50 Ω	In / Out : 50 Ω	

(4) Torque for Tuning Screw > 60gf • cm

(5) Temperature Condition:	
Operating Temperature	0°C ~ +60°C
Storage Temperature	-20°C ~ +70°C

(6) Input Power > 0.5Watt

(7) Measuring Circuit: ※Easy to match Impedance S11/S22 50Ω by parallel with about(0pF) / (0pF).

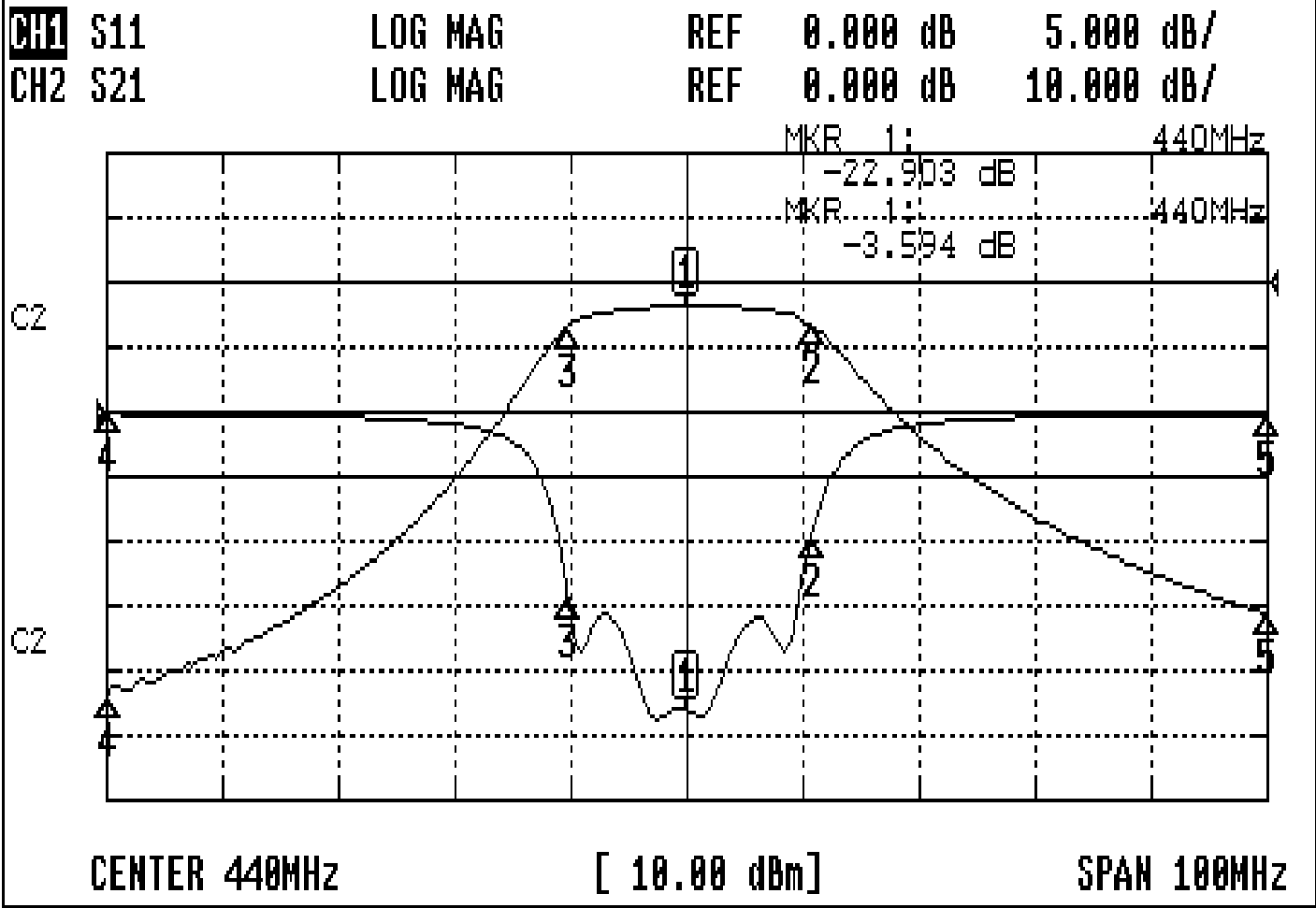


Approval	Supervisor	Designer	Aperture size
C.Y.Chang	C.K.Chang	Y.H.Yeh	5R4(3.8*4.2)(4.21) 5HW024LB3

TEMWELL CORPORATION

Performance-K4RF-440M-18M

200904183CD



CH1 MARKER LIST

1:	440.000MHz	-22.916	dB
2:	450.810MHz	-9.582	dB
3:	429.930MHz	-14.694	dB
4:	390.000MHz	-0.136	dB
5:	490.000MHz	-0.168	dB
6:			
7:			
8:			
9:			
10:			

CH2 MARKER LIST

1:	440.000MHz	-3.594	dB
2:	450.810MHz	0.000	dB
3:	429.930MHz	0.000	dB
4:	390.000MHz	0.000	dB
5:	490.000MHz	1.125	dB
6:			
7:			
8:			
9:			
10:			