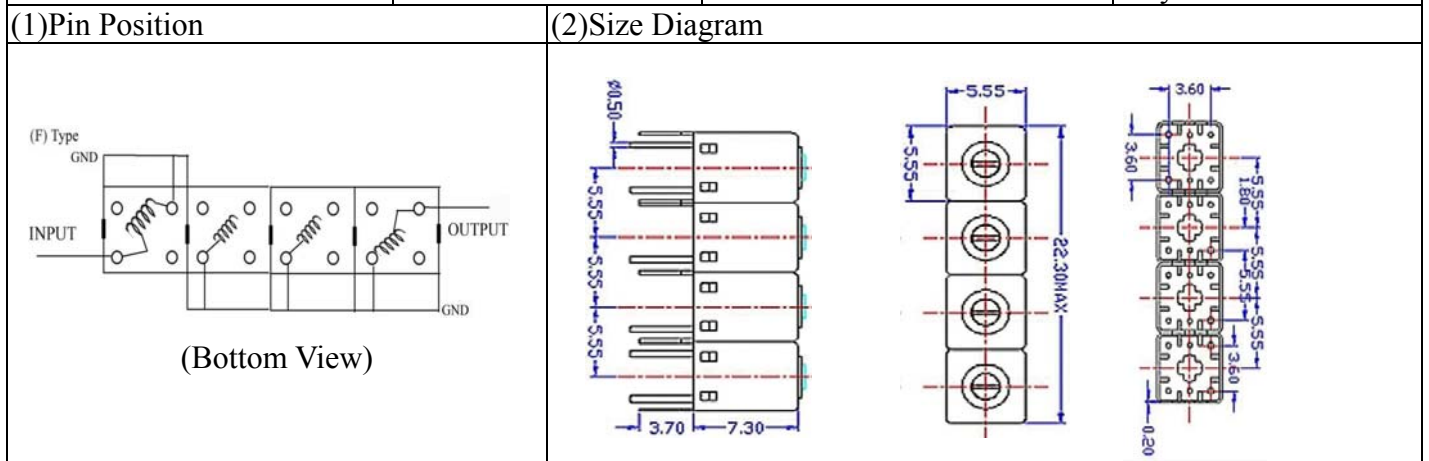


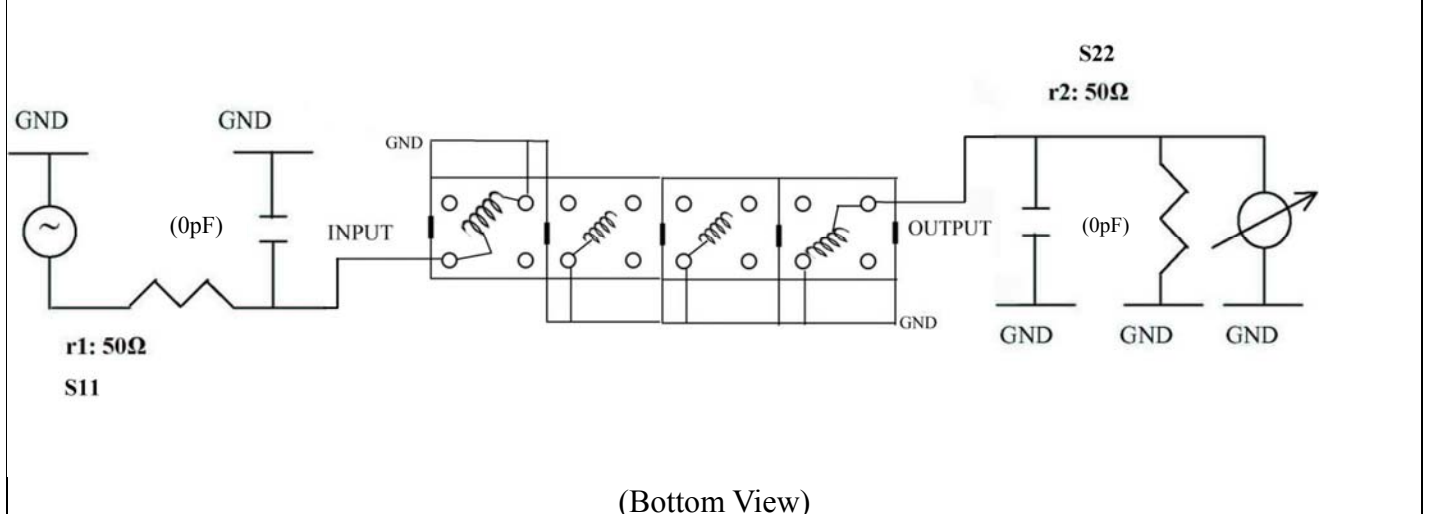
VHF UHF Helical Filter Specification Sheet

Customer Name		Temwell's Part No.	K4RF-590M-18M
Approval No. /dated	0904188CD	Temwell's Print Name.	K4RF 590M
Work Instruction No.	200904188CD	Date	May.05.2009



(3) Electric Characteristic			
Item		Specify	Performance
Center Freq.(Fo) +/- 0.5 %		590 MHz	590 MHz
Insertion Loss		Typ. 4.0 dB	3.64 dB
-3 dB Bandwidth		Typ. 18 MHz	21.5 MHz
Sensitivity (Attenuation)	Fo - 50 MHz	Typ. 54 dBc	57 dBc
	Fo + 50 MHz	Typ. 45 dBc	48 dBc
	Fo - ()MHz	Typ. dBc	dBc
	Fo + ()MHz	Typ. dBc	dBc
Return Loss		Min. 12 dB	20.0 dB
Ripple		< 1 dB	dB
Impedance		In / Out : 50 Ω	In / Out : 50 Ω
(4) Torque for Tuning Screw		> 60gf · cm	
(5) Temperature Condition:			
Operating Temperature		0°C ~ +60°C	
Storage Temperature		-20°C ~ +70°C	
(6) Input Power		> 0.5Watt	

(7) Measuring Circuit: ※Easy to match Impedance S11/S22 50Ω by parallel with about(0pF) / (0pF).



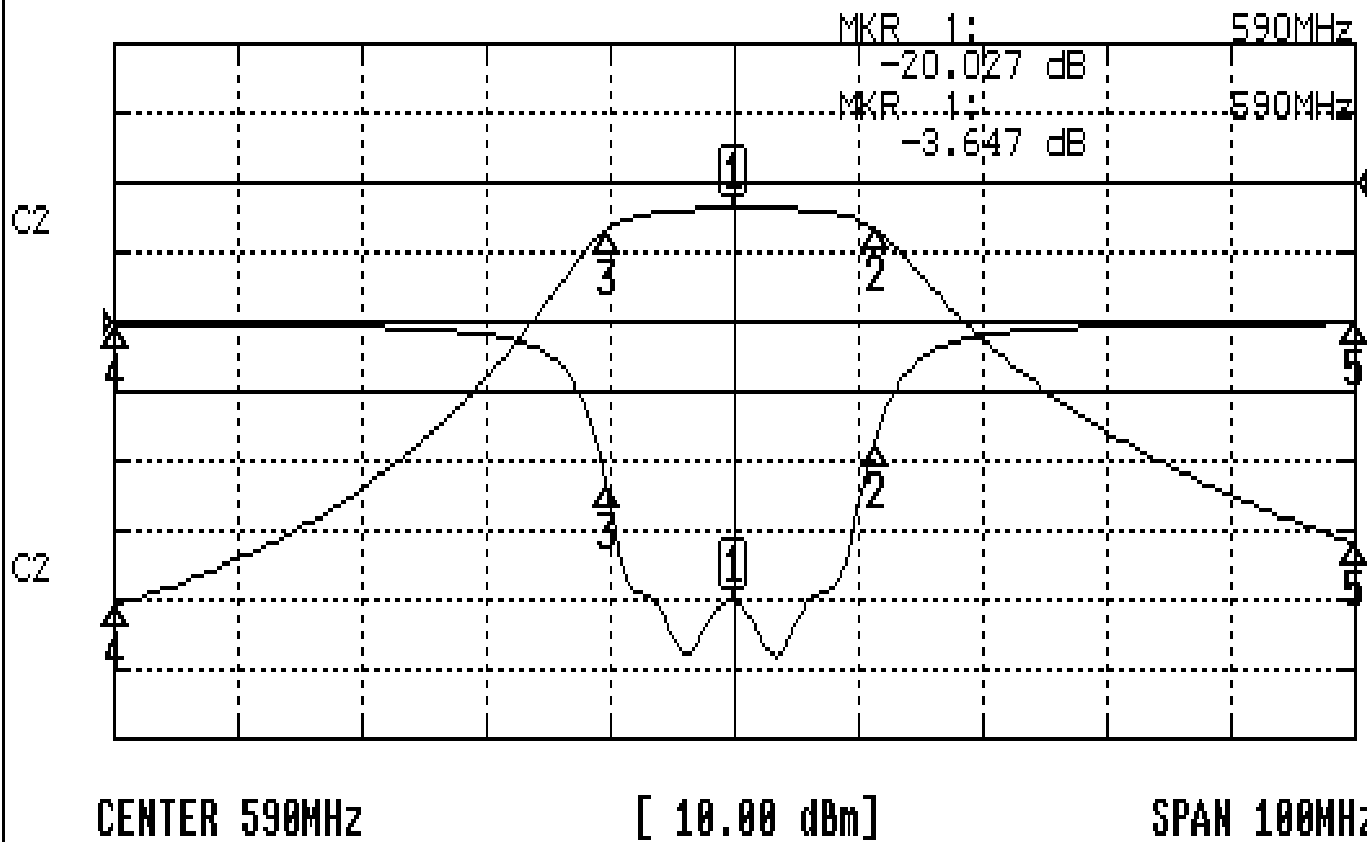
Approval	Supervisor	Designer	Aperture size
C.Y.Chang	C.K.Chang	Y.H.Yeh	5R4(3.8*3.7)(3.72) 5HW024LB3

TEMWELL CORPORATION

Performance-K4RF-590M-18M

200904188CD

CH1 S11 LOG MAG REF 0.000 dB 5.000 dB/
CH2 S21 LOG MAG REF 0.000 dB 10.000 dB/



CH1 MARKER LIST

1:	590.000MHz	-20.027	dB
2:	601.300MHz	-8.849	dB
3:	579.810MHz	-11.900	dB
4:	540.000MHz	-0.154	dB
5:	640.000MHz	-0.138	dB
6:			
7:			
8:			
9:			
10:			

CH2 MARKER LIST

1:	590.000MHz	-3.647	dB
2:	601.300MHz	-6.645	dB
3:	579.810MHz	-6.672	dB
4:	540.000MHz	-0.000	dB
5:	640.000MHz	-1.878	dB
6:			
7:			
8:			
9:			
10:			