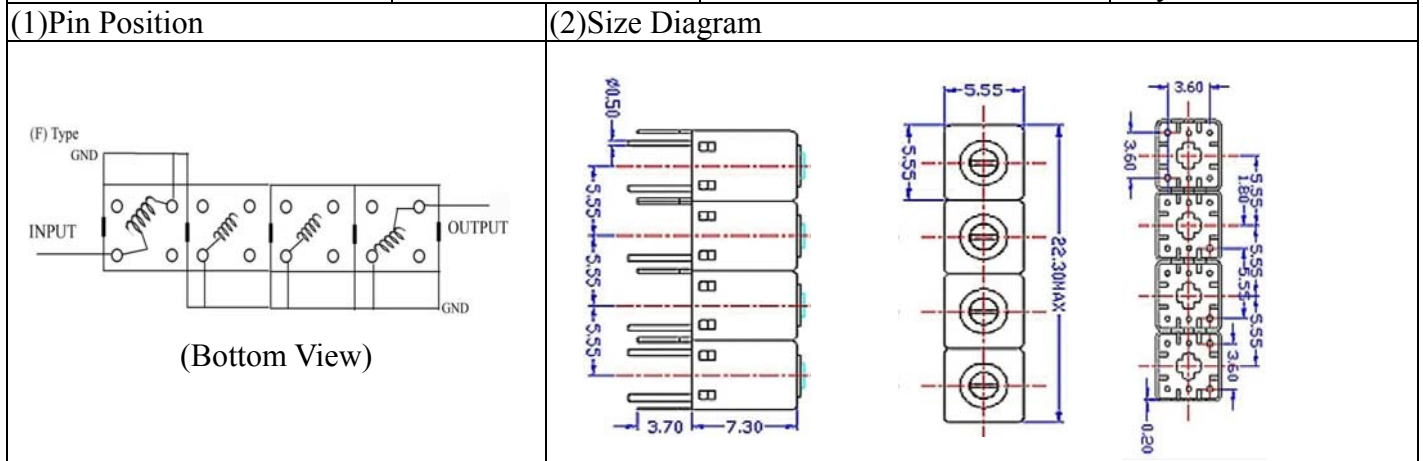


VHF UHF Helical Filter Specification Sheet

Customer Name		Temwell's Part No.	K4RF-635M-18M
Approval No. /dated	0904189CD	Temwell's Print Name.	K4RF 635M
Work Instruction No.	200904189CD	Date	May.11.2009



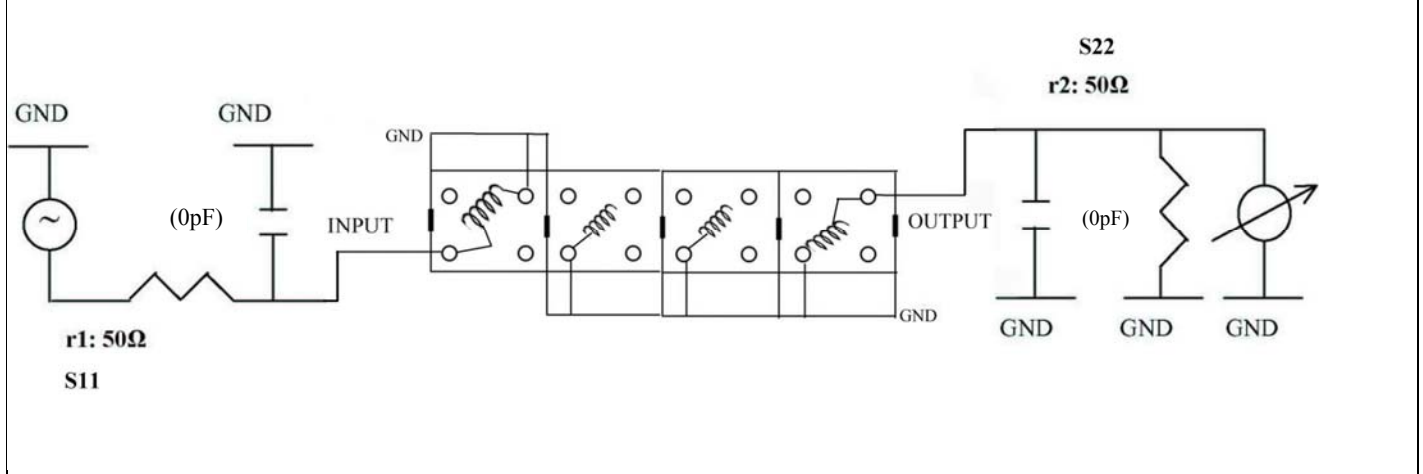
(3) Electric Characteristic			
Item		Specify	Performance
Center Freq.(Fo) +/- 0.5 %		635 MHz	635 MHz
Insertion Loss		Typ. 4.5 dB	3.66 dB
-3 dB Bandwidth		Typ. 18 MHz	21.8 MHz
Sensitivity (Attenuation)	Fo - 50 MHz	Typ. 50 dBc	53 dBc
	Fo + 50 MHz	Typ. 42 dBc	45 dBc
	Fo - ()MHz	Typ. dBc	dBc
	Fo +()MHz	Typ. dBc	dBc
Return Loss		Min. 12 dB	26.0 dB
Ripple		< 1 dB	dB
Impedance		In / Out : 50 Ω	In / Out : 50 Ω

(4) Torque for Tuning Screw > 60gf • cm

(5) Temperature Condition:
 Operating Temperature 0°C ~ +60°C
 Storage Temperature -20°C ~ +70°C

(6) Input Power > 0.5Watt

(7) Measuring Circuit: ※Easy to match Impedance S11/S22 50Ω by parallel with about(0pF) / (0pF).

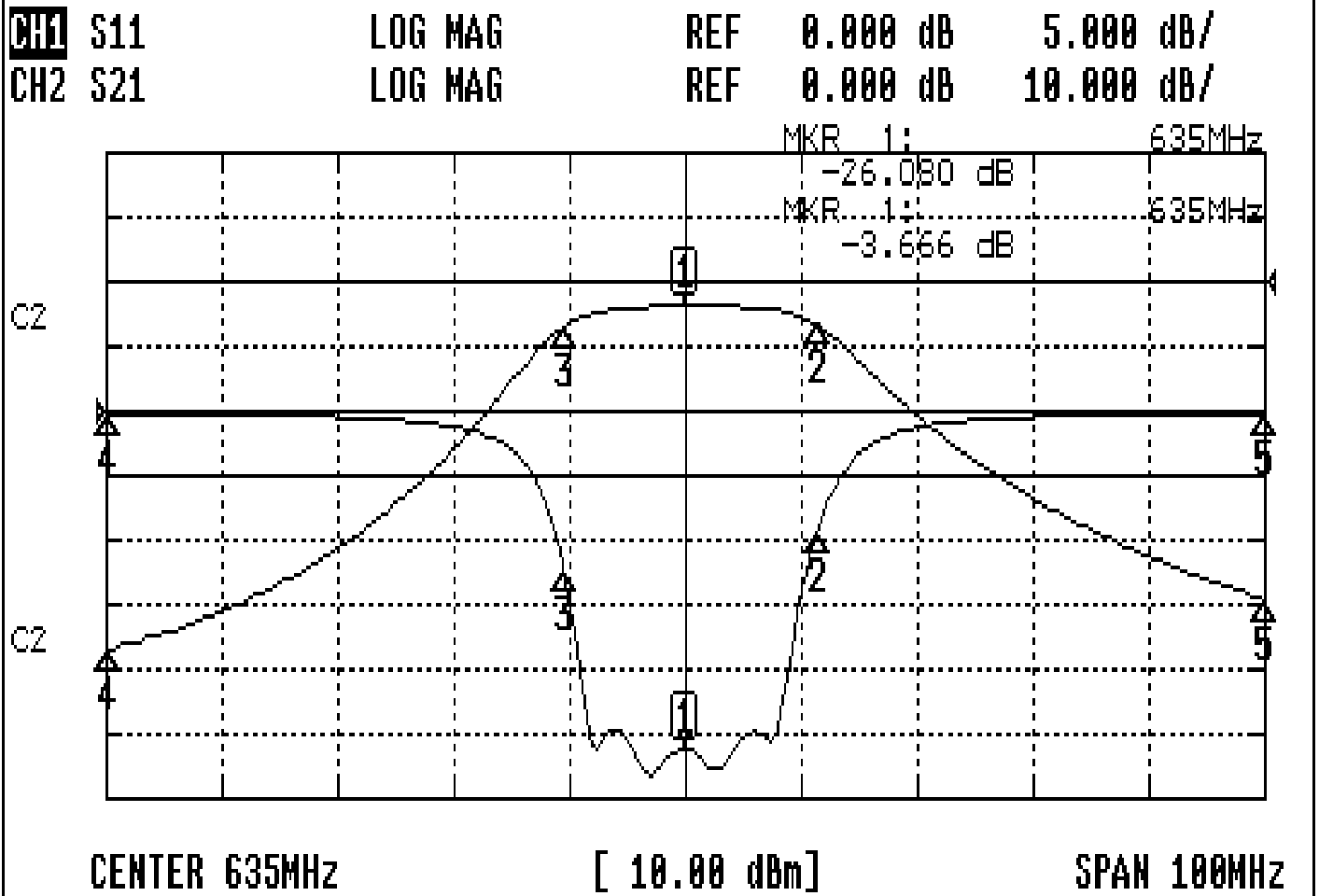


Approval C.Y.Chang	Supervisor C.K.Chang	Designer Y.H.Yeh	Aperture size 5R4S(3.8*3.7)(3.73) 5HW024LB3
-----------------------	-------------------------	---------------------	---

TEMWELL CORPORATION

Performance-K4RF-635M-18M

200904189CD



CH1 MARKER LIST

1:	635.000MHz	-26.080	dB
2:	646.420MHz	-9.364	dB
3:	624.680MHz	-12.694	dB
4:	585.000MHz	-0.154	dB
5:	685.000MHz	-0.155	dB
6:			
7:			
8:			
9:			
10:			

CH2 MARKER LIST

1:	635.000MHz	-3.661	dB
2:	646.420MHz	-1.671	dB
3:	624.680MHz	-1.670	dB
4:	585.000MHz	-1.168	dB
5:	685.000MHz	-4.147	dB
6:			
7:			
8:			
9:			
10:			