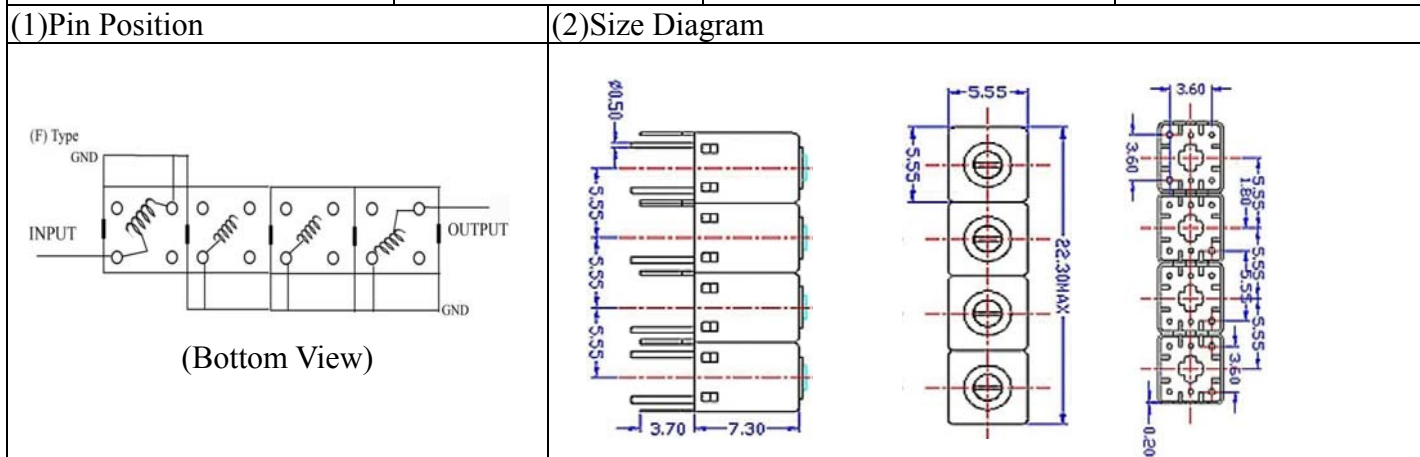


# VHF UHF Helical Filter Specification Sheet

Customer Name		Temwell's Part No.	K4RF-735M-20M
Approval No. /dated	0905060 CD	Temwell's Print Name.	K4RF 735M
Work Instruction No.	200905060CD	Date	Jun.02.2009



(3) Electric Characteristic

Item	Specify	Performance	
Center Freq.(Fo) +/- 0.5 %	735 MHz	735 MHz	
Insertion Loss	Typ. 4.5 dB	3.74 dB	
-3 dB Bandwidth	Typ. 20 MHz	25.8 MHz	
Sensitivity (Attenuation)	Fo - 50 MHz	Typ. 46 dBc	49 dBc
	Fo + 50 MHz	Typ. 40 dBc	43 dBc
	Fo - ( )MHz	Typ. dBc	dBc
	Fo + ( )MHz	Typ. dBc	dBc
Return Loss	Min. 12 dB	21.8 dB	
Ripple	< 1 dB	dB	
Impedance	In / Out : 50 Ω	In / Out : 50 Ω	

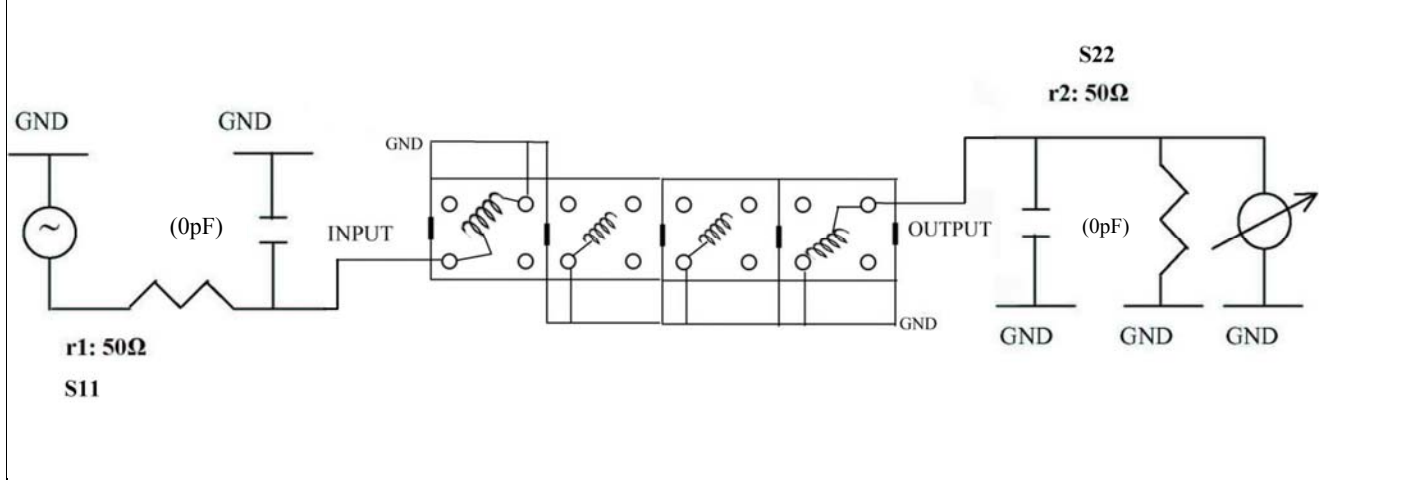
(4) Torque for Tuning Screw > 60gf · cm

(5) Temperature Condition:

Operating Temperature	0°C ~ +60°C
Storage Temperature	-20°C ~ +70°C

(6) Input Power > 0.5Watt

(7) Measuring Circuit: ※Easy to match Impedance S11/S22 50Ω by parallel with about( 0pF) / ( 0pF).



Approval	Supervisor	Designer	Aperture size
C.Y.Chang	C.S.Chang	W.W.Wang	5R4(3.8*3.7)(3.71) 5HW024IB3

TEMWELL CORPORATION

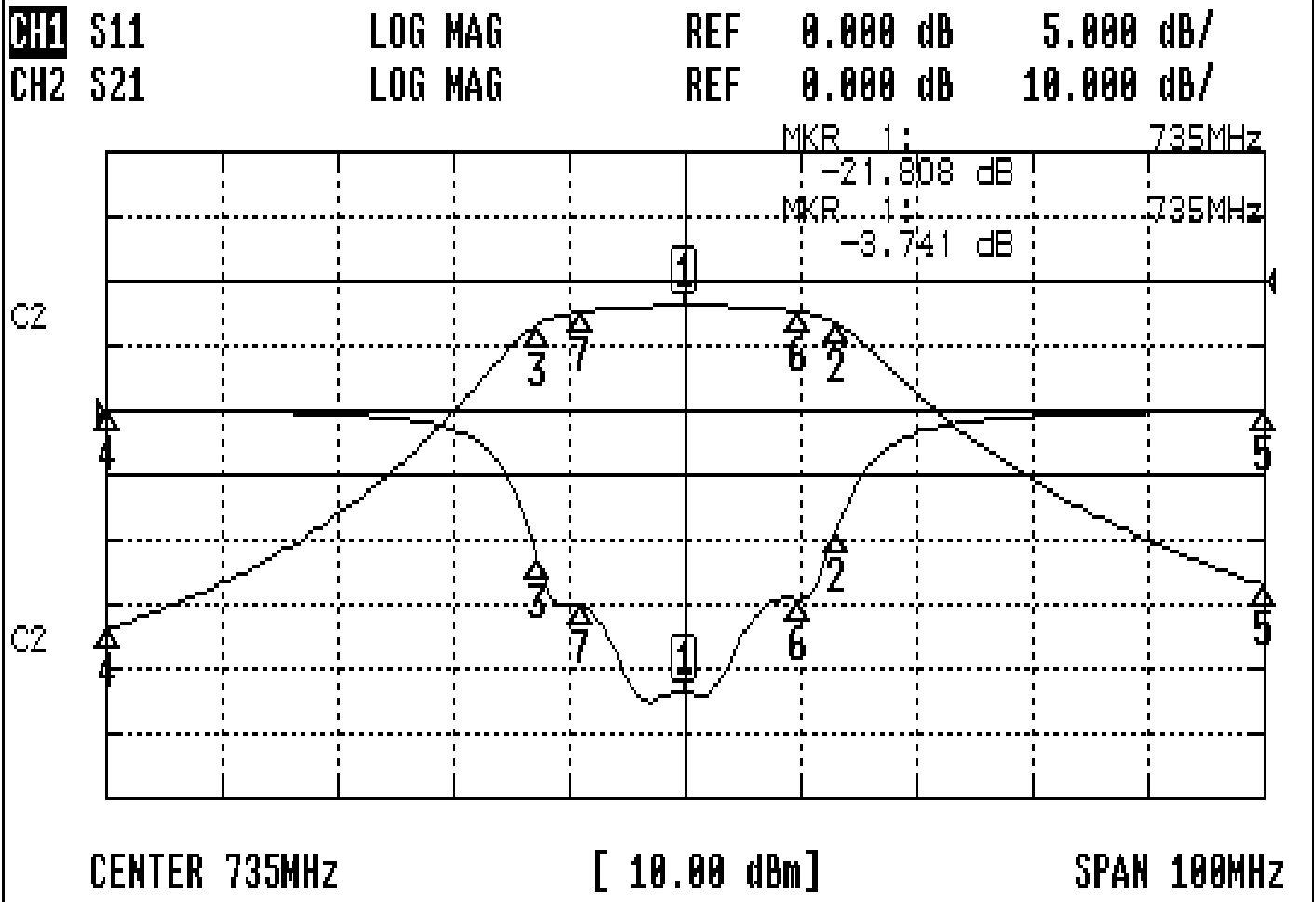
TEMWELL

Form10-5R4F Vision D

RP (w.w.w)

# Performance-K4RF-735M-20M

## 200905060CD



### CH1 MARKER LIST

1:	735.000MHz	-21.806	dB
2:	748.166MHz	-9.254	dB
3:	722.333MHz	-11.423	dB
4:	685.000MHz	0.080	dB
5:	785.000MHz	0.010	dB
6:	744.750MHz	-14.664	dB
7:	726.000MHz	-15.099	dB
8:			
9:			
10:			

### CH2 MARKER LIST

1:	735.000MHz	-3.741	dB
2:	748.166MHz	-6.770	dB
3:	722.333MHz	-6.785	dB
4:	685.000MHz	-53.642	dB
5:	785.000MHz	-47.052	dB
6:	744.750MHz	-4.713	dB
7:	726.000MHz	-4.737	dB
8:			
9:			
10:			