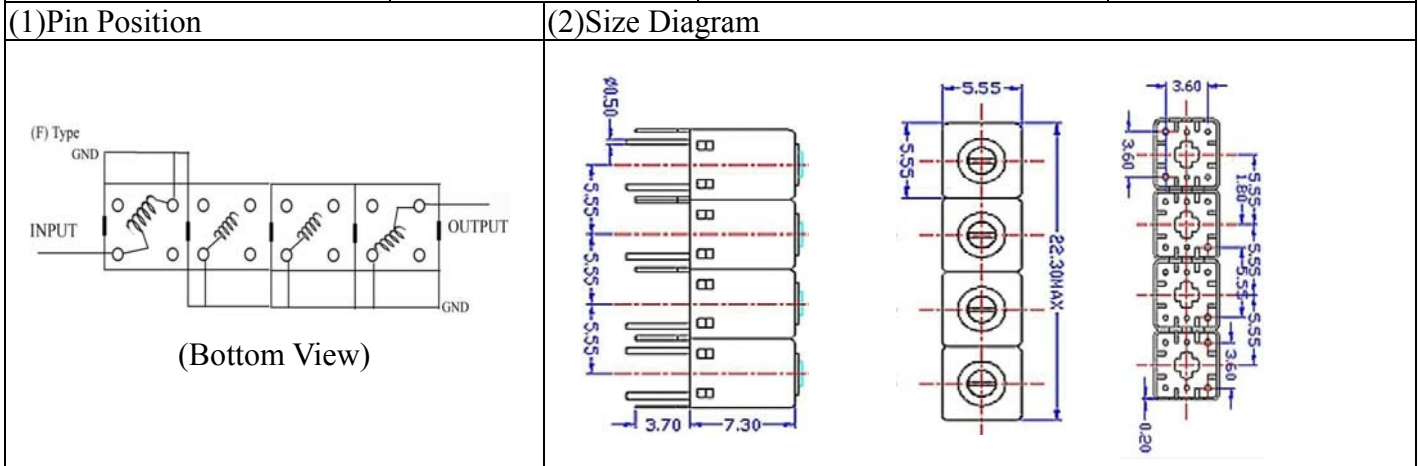


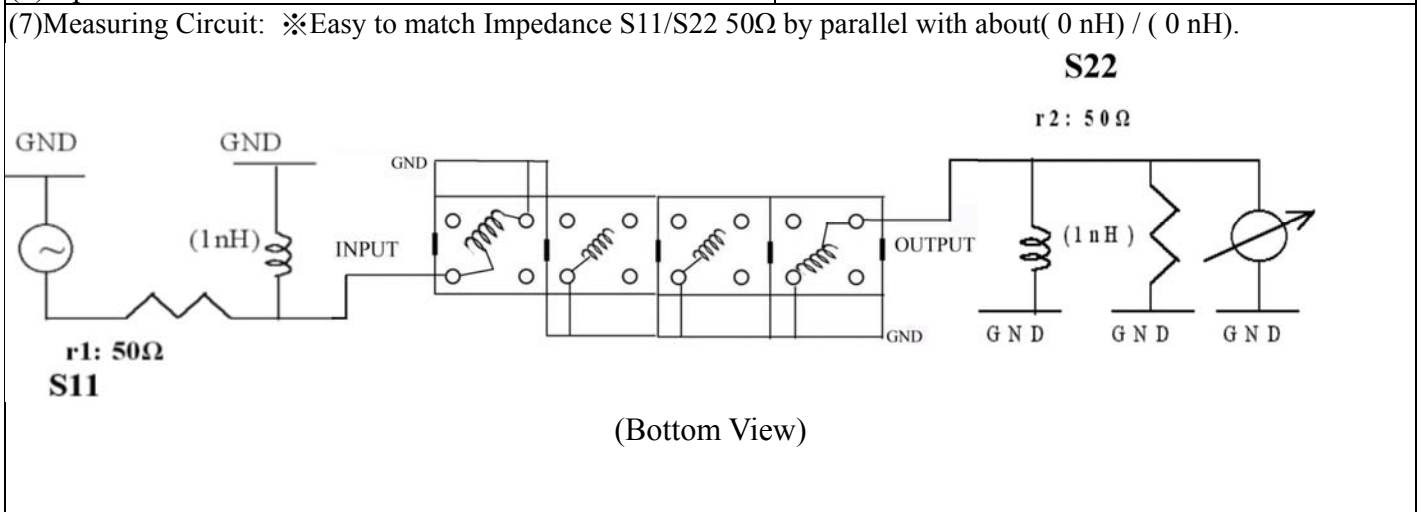
VHF UHF Helical Filter Specification Sheet

Customer Name		Temwell's Part No.	K4RF-945M-20M
Approval No. /dated	0905063CD	Temwell's Print Name.	K4RF 945M
Work Instruction No.	200905063CD	Date	Jun.06.2009



(3) Electric Characteristic			
Item		Specify	Performance
Center Freq.(Fo) +/- 0.5 %		945 MHz	945 MHz
Insertion Loss		Typ. 5.0 dB	4.16 dB
-3 dB Bandwidth		Typ. 20 MHz	26.0 MHz
Sensitivity (Attenuation)	Fo - 50 MHz	Typ. 43 dBc	46 dBc
	Fo + 50 MHz	Typ. 37 dBc	40 dBc
	Fo - ()MHz	Typ. dBc	dBc
	Fo + ()MHz	Typ. dBc	dBc
Return Loss		Min. 12 dB	28.2 dB
Ripple		< 1 dB	dB
Impedance		In / Out : 50 Ω	In / Out : 50 Ω

(4) Torque for Tuning Screw		> 60gf • cm
(5) Temperature Condition:		
Operating Temperature	0°C ~ +60°C	
Storage Temperature	-20°C ~ +70°C	
(6) Input Power	> 0.5Watt	

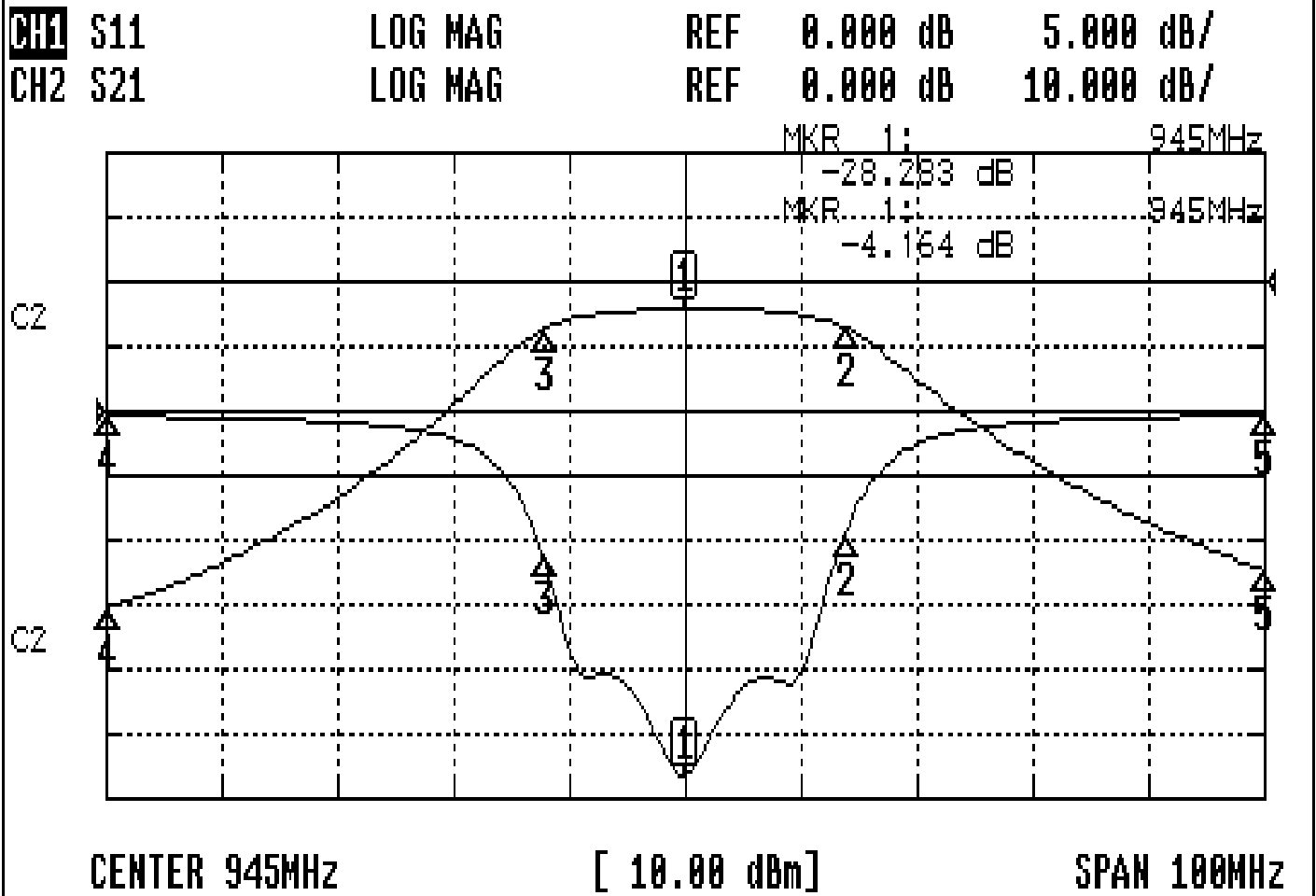


Approval C.Y.Chang	Supervisor C.K.Chang	Designer Y.H.Yeh	Aperture size 5R4S(3.8*3.7)(3.80) 5HW024LB3
-----------------------	-------------------------	---------------------	---

TEMWELL CORPORATION

Performance-K4RF-945M-20M

200905063CD



CH1 MARKER LIST

1:	945.000MHz	-28.284 dB
2:	950.830MHz	-9.539 dB
3:	932.800MHz	-11.309 dB
4:	955.000MHz	-0.376 dB
5:	955.000MHz	-0.346 dB
6:		
7:		
8:		
9:		
10:		

CH2 MARKER LIST

1:	945.000MHz	-4.164 dB
2:	950.830MHz	-7.160 dB
3:	932.800MHz	-7.203 dB
4:	955.000MHz	-50.540 dB
5:	955.000MHz	-44.697 dB
6:		
7:		
8:		
9:		
10:		