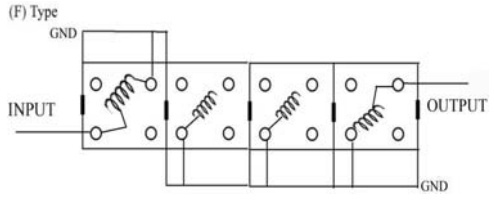
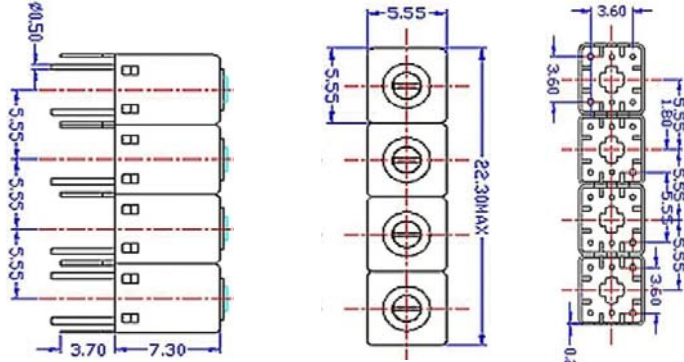


# VHF UHF Helical Filter Specification Sheet

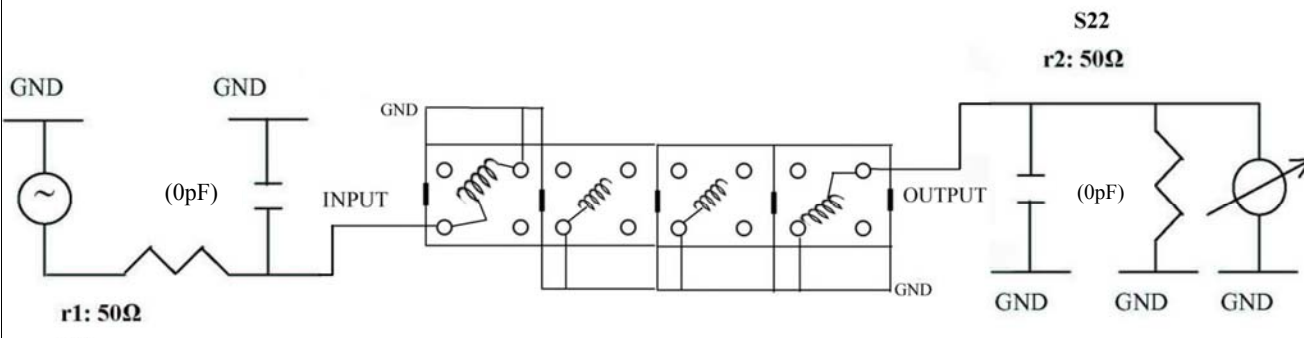
Customer Name		Temwell's Part No.	K4RF-980M-20M
Approval No. /dated	0905064CD	Temwell's Print Name.	
Work Instruction No.	200905064CD	Date	Jun.06.2009

<p>(1) Pin Position</p>  <p style="text-align: center;">(Bottom View)</p>	<p>(2) Size Diagram</p> 
--	--

(3) Electric Characteristic			
Item	Specify	Performance	
Center Freq.(Fo) +/- 0.5 %	980 MHz	980	MHz
Insertion Loss	Typ. 4.5 dB	3.77	dB
-3 dB Bandwidth	Typ. 20 MHz	27.6	MHz
Sensitivity (Attenuation)	Fo - 50 MHz	Typ. 43	dBc
	Fo + 50 MHz	Typ. 35	dBc
	Fo - ( )MHz	Typ.	dBc
	Fo + ( )MHz	Typ.	dBc
Return Loss	Min. 12 dB	39.8	dB
Ripple	< 1 dB		dB
Impedance	In / Out : 50 Ω	In / Out : 50 Ω	
(4) Torque for Tuning Screw	> 60gf • cm		

(5) Temperature Condition:	
Operating Temperature	0°C ~ +60°C
Storage Temperature	-20°C ~ +70°C
(6) Input Power	> 0.5Watt

(7) Measuring Circuit: ※Easy to match Impedance S11/S22 50Ω by parallel with about( 0pF) / ( 0pF).



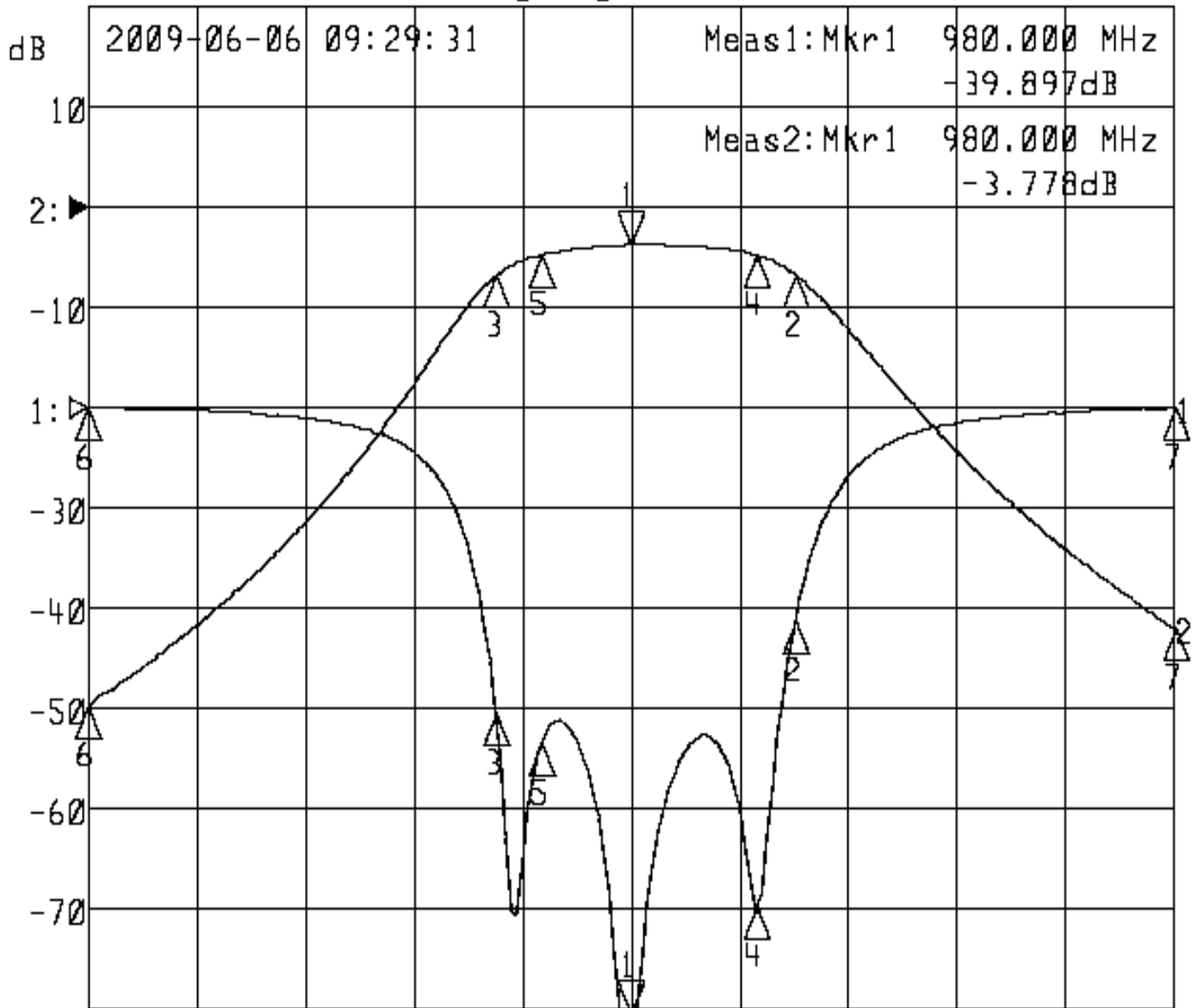
(Bottom View)

Approval	Supervisor	Designer	Aperture size
C.Y.Chang	C.K.Chang	J.F.Lin	5R4(3.8*3.7)(3.75) 5HW024LB3
TEMWELL CORPORATION			

# Performance-K4RF-980M-20M

## 200905064CD

▶1:S11 Refl Port1 Log Mag 5.0 dB/ Ref 0.00 dB C  
 ▶2:S21 Fwd Trans Log Mag 10.0 dB/ Ref 0.00 dB C



Center 980.000 MHz

Span 100.000 MHz

1:Mkr (MHz)	dB	2:Mkr (MHz)	dB
1> 980.0000	-39.897	1> 980.0000	-3.778
2: 995.1000	-10.643	2: 995.1000	-6.702
3: 967.5667	-15.228	3: 967.5667	-6.811
4: 991.6000	-24.869	4: 991.6000	-4.764
5: 971.7667	-16.707	5: 971.7667	-4.743
6: 930.0000	-0.011	6: 930.0000	-49.794
7: 1030.0000	-0.023	7: 1030.0000	-42.002