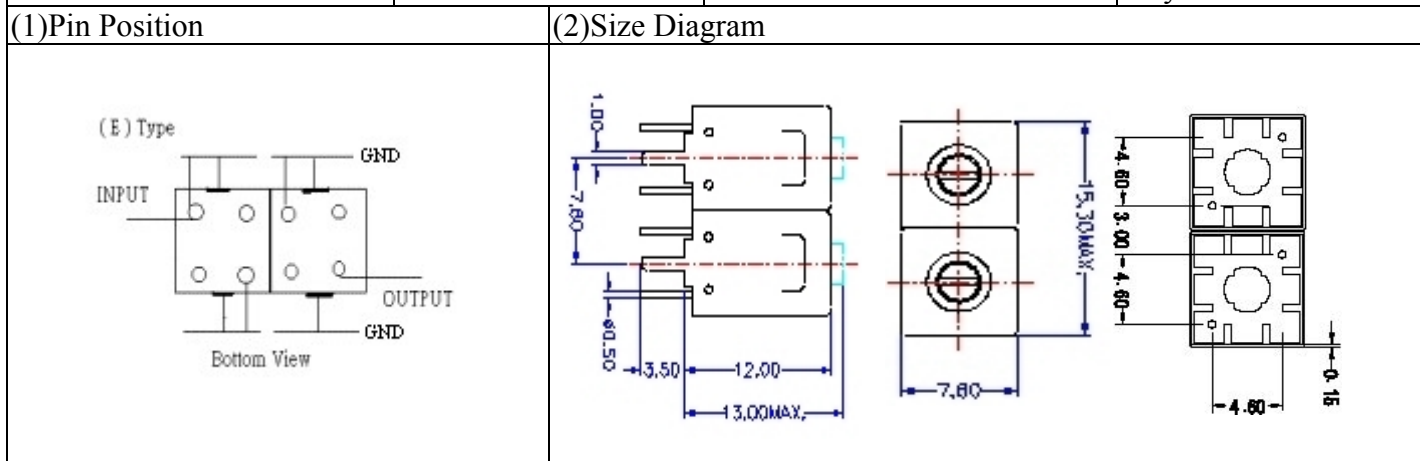


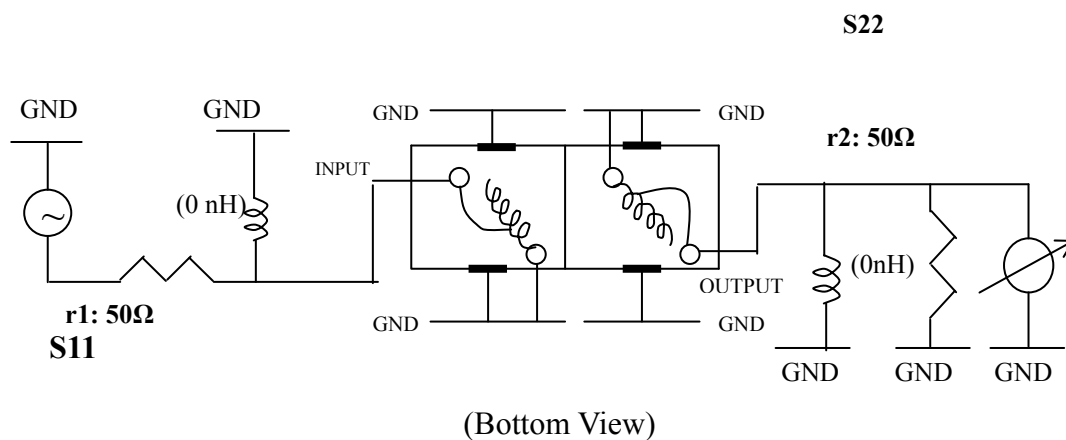
VHF UHF Helical Filter Specification Sheet

Customer Name		Temwell's Part No.	TD62242E-155M
Approval No. /dated	0805002CD	Acceptable Specift Fo Range	146~165MHz
Work Instruction No.	0805002CD	Date	May.16.2008



(3) Electric Chararistic			
Item		Specify	Performance
Center Freq.(Fo) +/- 0.5 %		155 MHz	155 MHz
Tunable Range:		155±2 MHz	155±2 MHz
Insertion Loss		Typ. 3.0 dB	2.16 dB
-3 dB Bandwidth		Typ. 8 MHz	10.2 MHz
Sensitivity (Attenuation)	Fo - 50 MHz	Typ. 21 dBc	24 dBc
	Fo + 50 MHz	Typ. 36 dBc	39 dBc
	Fo - ()MHz	Typ. dBc	dBc
	Fo +()MHz	Typ. dBc	dBc
Return Loss		Min. 12 dB	20.9 dB
Ripple		< 1 dB	dB
Impedance		In / Out : 50 Ω	In / Out : 50 Ω
(4) Torque for Tuning Screw		> 100gf • cm	
(5) Temperature Condition:			
Operating Temperature		0°C ~ +60°C	
Storage Temperature		-20°C ~ +70°C	
(6) Input Power		> 1Watt	

(7) Measuring Circuit: ※Easy to match Impedance 50Ω/ by parallel with about (0) nH.

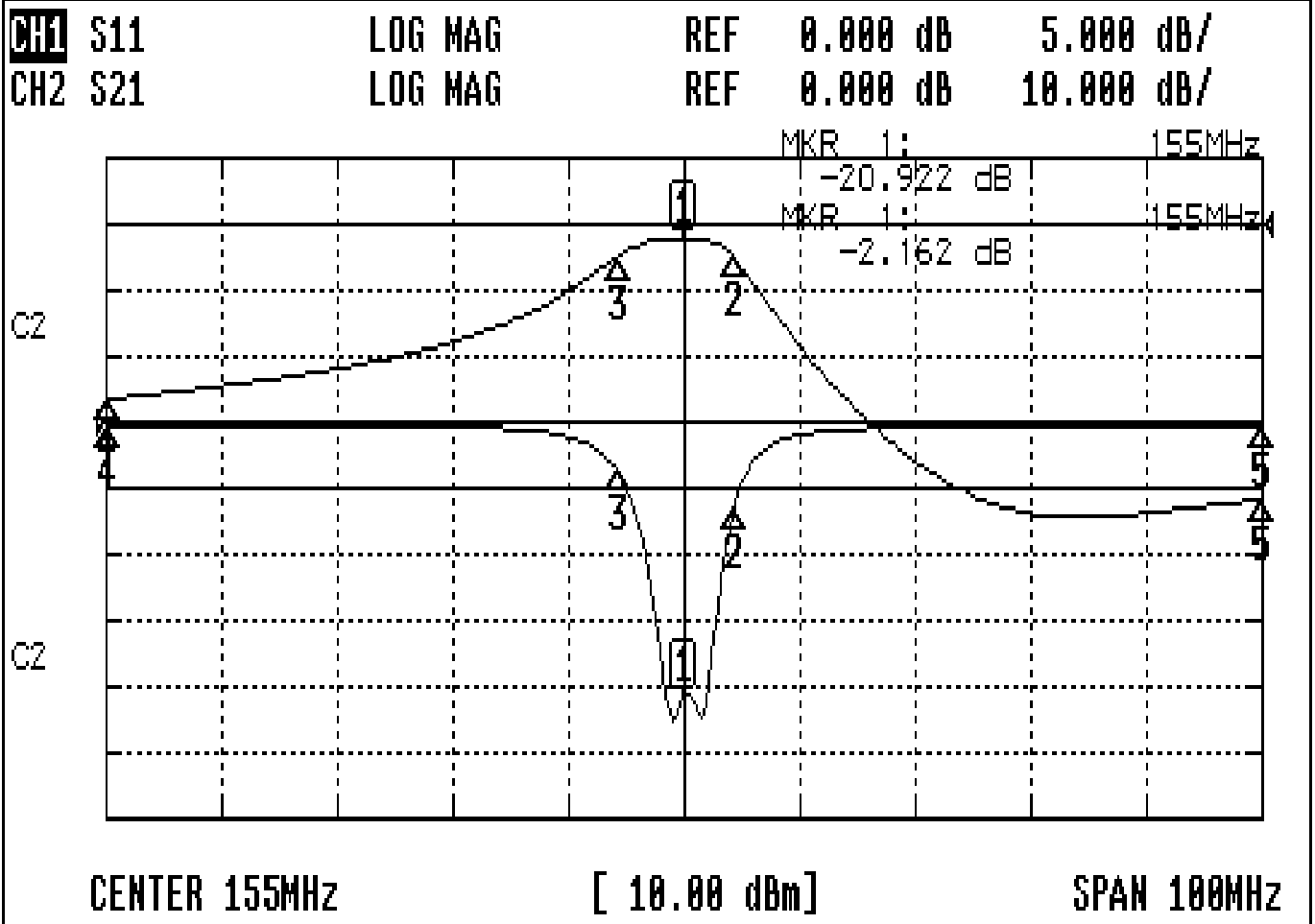


Approval	Supervisor	Designer	Aperture size
C.Y.Chang	C.S.Chang	P.H.Chiang	7H2S(4*4.5)F 7H024LB6.5

TEMWELL CORPORATION

Performance-TD62242E-155M

0805002CD



CH1 MARKER LIST

1:	155.000MHz	-20.922	dB
2:	159.416MHz	-16.523	dB
3:	149.250MHz	-3.681	dB
4:	105.000MHz	-0.183	dB
5:	205.000MHz	-0.217	dB

CH2 MARKER LIST

1:	155.000MHz	-2.162	dB
2:	159.416MHz	-15.130	dB
3:	149.250MHz	-15.127	dB
4:	105.000MHz	-26.494	dB
5:	205.000MHz	-41.676	dB