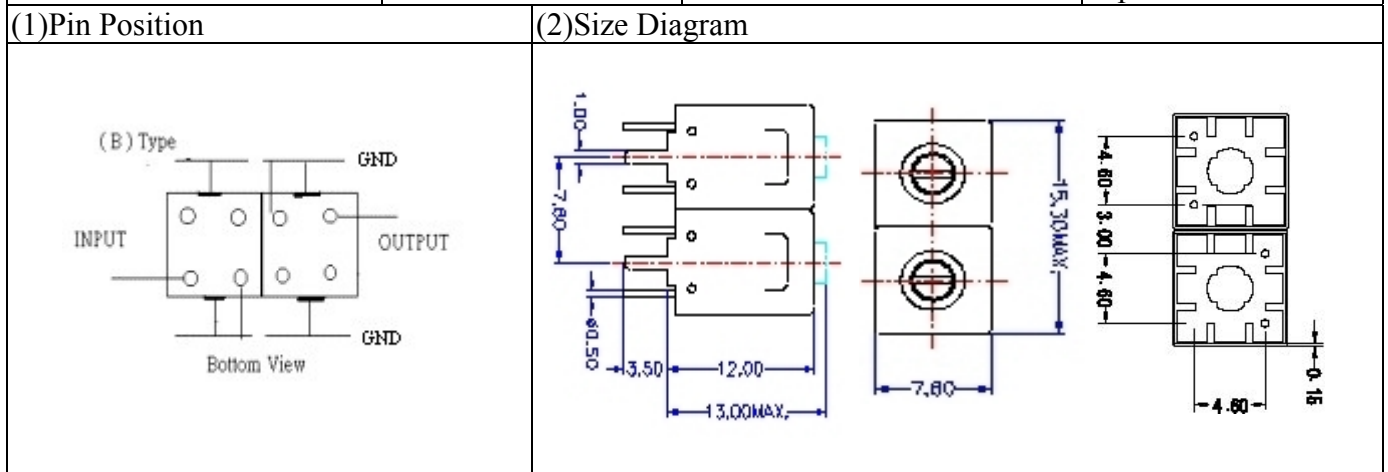


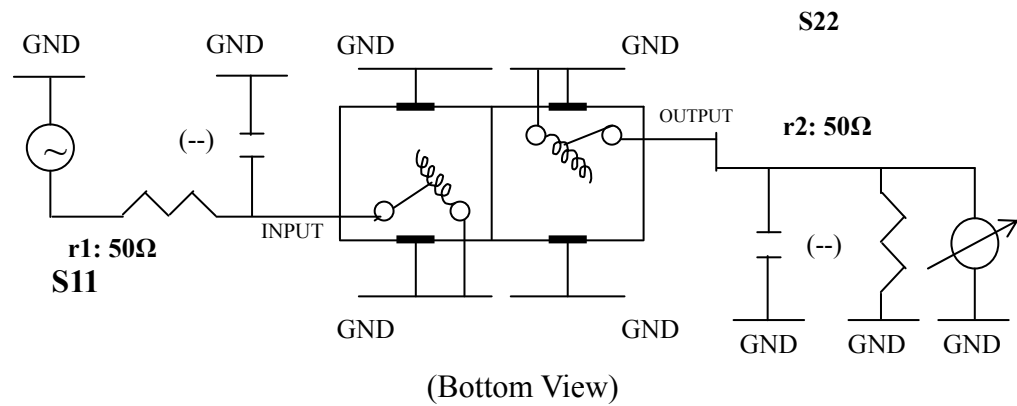
# VHF UHF Helical Filter Specification Sheet

|                      |             |                     |                |
|----------------------|-------------|---------------------|----------------|
| Customer Name        |             | Temwell's Part No.  | TD62399B-337M  |
| Approval No. /dated  |             | Temwell's Print No. | 62399B<br>337M |
| Work Instruction No. | 201009076BD | Date                | Sep.20.2010    |



| (3) Electric Characteristic  |             | Item                       | Specify         | Performance     |
|------------------------------|-------------|----------------------------|-----------------|-----------------|
|                              |             | Center Freq.(Fo) +/- 0.5 % | 337 MHz         | 337 MHz         |
|                              |             | Insertion Loss             | Typ. 3.5 dB     | 2.11 dB         |
|                              |             | -3 dB Bandwidth            | Typ. 8 MHz      | 10.4 MHz        |
| Sensitivity<br>(Attenuation) | Fo - 30 MHz | Typ. 30 dBc                |                 | 37 dBc          |
|                              | Fo + 30 MHz | Typ. 20 dBc                |                 | 26 dBc          |
|                              | Fo - ( )MHz | Typ. dB                    |                 | dBc             |
|                              | Fo + ( )MHz | Typ. dB                    |                 | dBc             |
|                              |             | Return Loss                | Min. 12 dB      | 32.3 dB         |
|                              |             | Ripple                     | < 1 dB          | dB              |
|                              |             | Impedance                  | In / Out : 50 Ω | In / Out : 50 Ω |
| (4) Torque for Tuning Screw  |             |                            | > 60gf • cm     |                 |
| (5) Temperature Condition:   |             |                            |                 |                 |
| Operating Temperature        |             |                            | 0°C ~ +60°C     |                 |
| Storage Temperature          |             |                            | -20°C ~ +70°C   |                 |
| (6) Input Power              |             |                            | > 1Watt         |                 |

(7) Measuring Circuit: ※Easy to match Impedance S11/S22 50Ω by parallel with about (--)



|                       |                         |                     |  |
|-----------------------|-------------------------|---------------------|--|
| Approval<br>C.Y.Chang | Supervisor<br>C.K.Chang | Designer<br>Y.H.Yeh | Aperture size<br>7H2S(4*5.6)(5.70)<br>7H046RB4 |
|-----------------------|-------------------------|---------------------|--|

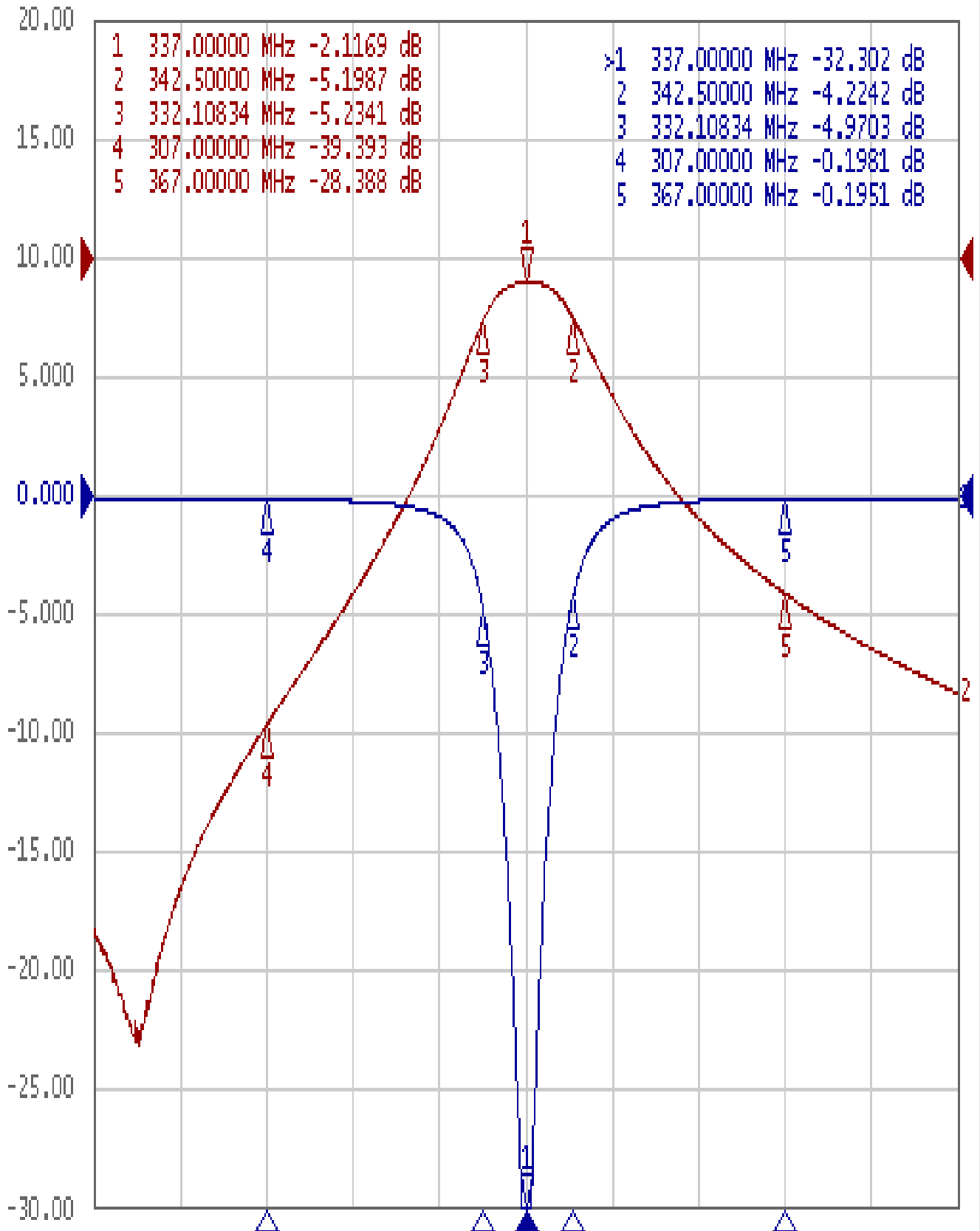
TEMWELL CORPORATION

# Performance-TD62399B-337M-8M

## 201009076BD

Tr1 S11 Log Mag 5.000dB/ Ref 0.000dB [F2]

Tr2 S21 Log Mag 10.00dB/ Ref 0.000dB [F2]



1 Center 337 MHz

IFBW 10 kHz

Span 100 MHz Cor !