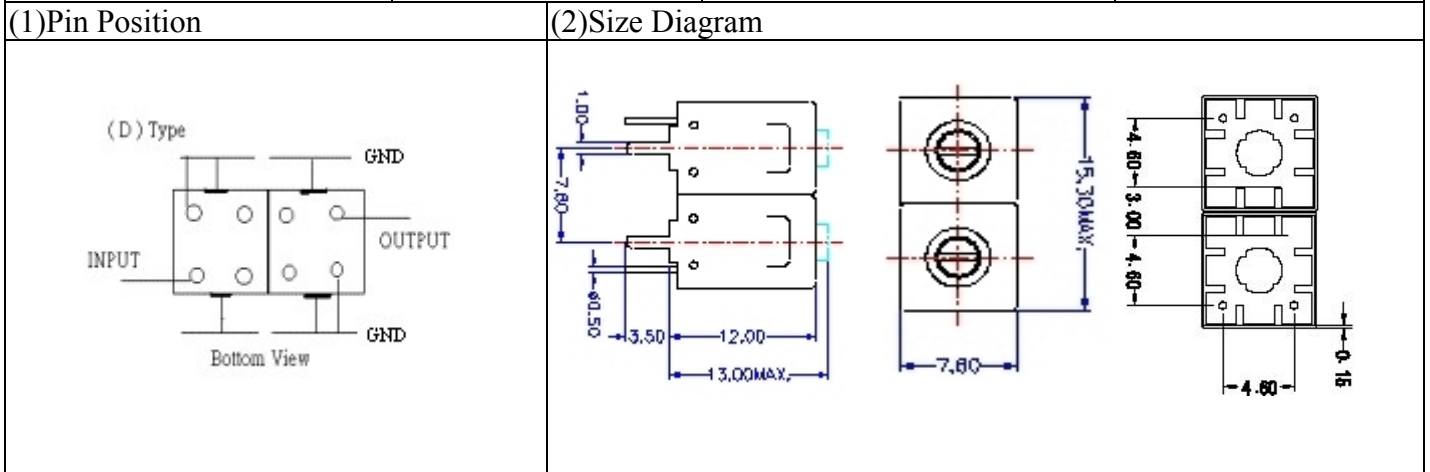


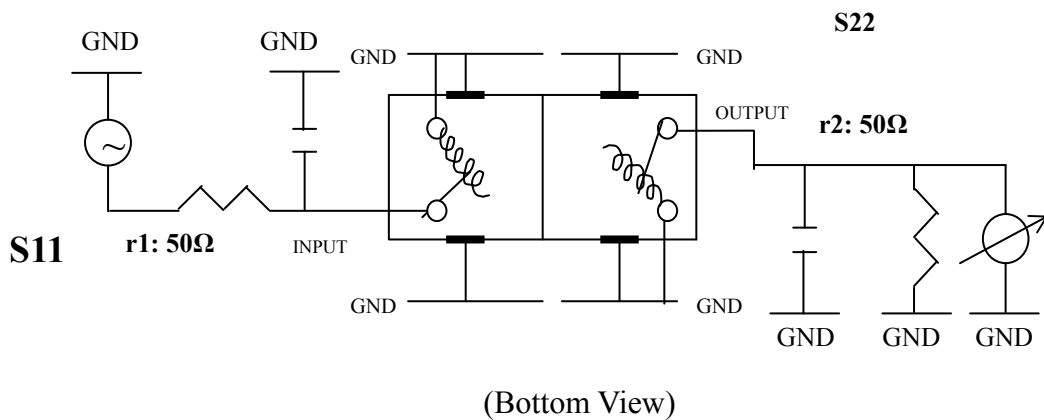
# VHF UHF Helical Filter Specification Sheet

Customer Name		Temwell's Part No.	TD62713D-146M
Approval No. /dated	201709034CD	Customer's Part No.	62713D 146M
Work Instruction No.	201709034CD	Date	Nov.13.2017



(3) Electric Characteristic		Specify	Performance
Center Freq.(Fo) +/- 0.5 %		146 MHz	146 MHz
Insertion Loss		Typ. 3.5 dB	2.64 dB
-3 dB Bandwidth		Typ. 3 MHz	5.9 MHz
Sensitivity (Attenuation)	Fo - 30 MHz	Typ. 30 dBc	35 dBc
	Fo + 30 MHz	Typ. 35 dBc	40 dBc
	Fo - ( )MHz	Typ. dBc	dBc
	Fo + ( )MHz	Typ. dBc	dBc
Return Loss		Min. 12 dB	18.0 dB
Ripple		< 1 dB	dB
Impedance		In / Out : 50 Ω	In / Out : 50 Ω
(4) Torque for Tuning Screw		> 60gf · cm	
(5) Temperature Condition:			
Operating Temperature		0°C ~ +60°C	
Storage Temperature		-20°C ~ +70°C	
(6) Input Power		> 1Watt	

(7) Measuring Circuit: ※Easy to match Impedance 50Ω by parallel with about (- -)



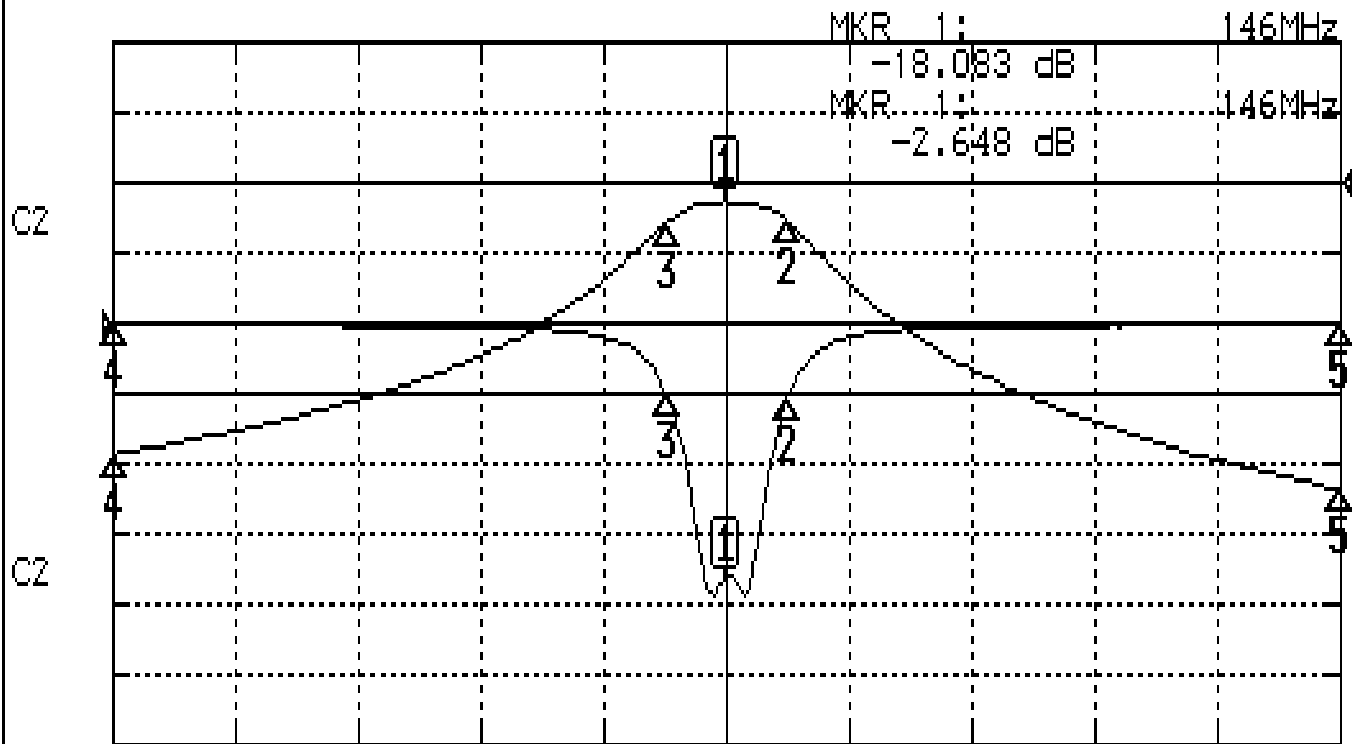
Approval C.Y.Chang	Supervisor C.K.Chang	Designer C.H.Yeh	Aperture size 7H2S(4*6.35)(6.39) 7H024LB4
-----------------------	-------------------------	---------------------	---

TEMWELL CORPORATION

# Performance-TD62713D-146M

## 201709034CD

CH1 S11 LOG MAG REF 0.000 dB 5.000 dB/  
CH2 S21 LOG MAG REF 0.000 dB 10.000 dB/



CENTER 146MHz

[ 10.00 dBm ]

SPAN 60MHz

### CH1 MARKER LIST

1:	146.000MHz	-18.083 dB
2:	149.050MHz	-5.239 dB
3:	143.100MHz	-4.943 dB
4:	116.000MHz	-0.109 dB
5:	176.000MHz	-0.099 dB

### CH2 MARKER LIST

1:	146.000MHz	-2.648 dB
2:	149.050MHz	-1.175 dB
3:	143.100MHz	-1.168 dB
4:	116.000MHz	-38.586 dB
5:	176.000MHz	-43.568 dB