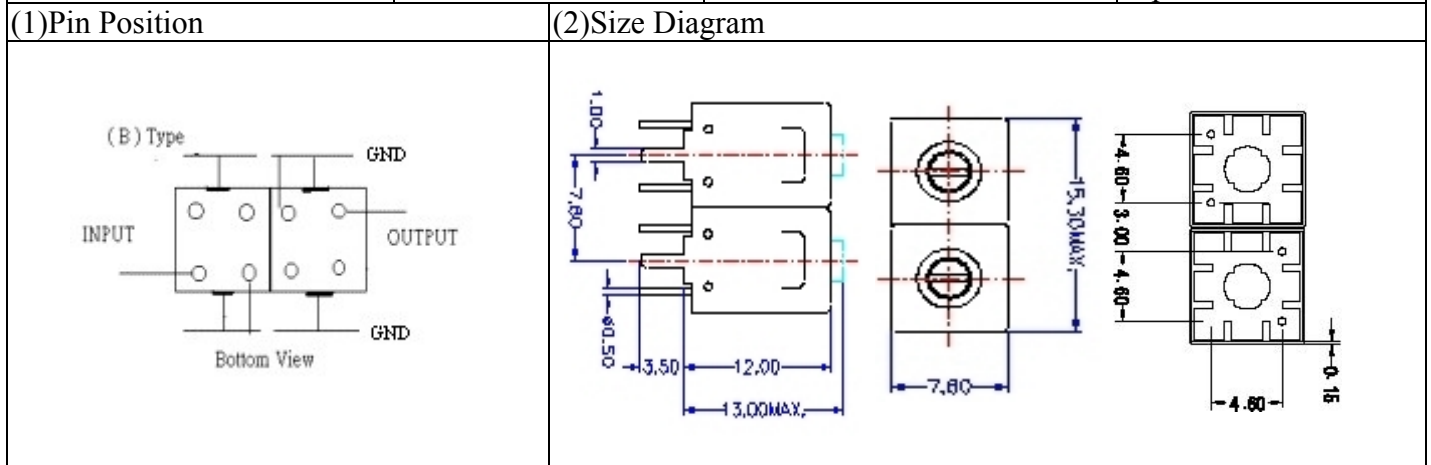


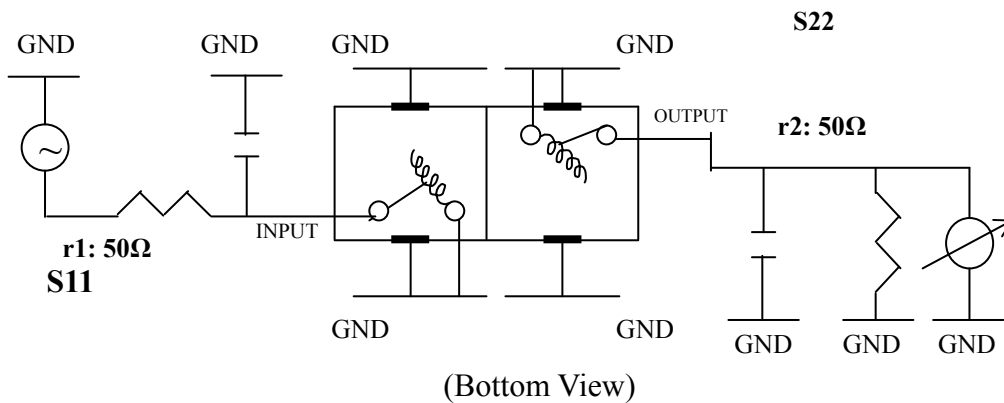
# VHF UHF Helical Filter Specification Sheet

Customer Name		Temwell's Part No.	TD62715B-160M
Approval No. /dated	201709036CD	Temwell's print Name	62715B 160M
Work Instruction No.	201709036CD	Date	Sep.18.2017



(3) Electric Characteristic			
Item		Specify	Performance
Center Freq.(Fo) +/- 0.5 %		160 MHz	160 MHz
Insertion Loss		Typ. 3.5 dB	2.64 dB
-3 dB Bandwidth		Typ. 2 MHz	5.3 MHz
Sensitivity (Attenuation)	Fo - 10 MHz	Typ. 16 dBc	19 dBc
	Fo + 10 MHz	Typ. 21 dBc	24 dBc
	Fo - ( )MHz	Typ. dBc	dBc
	Fo + ( )MHz	Typ. dBc	dBc
Return Loss		Min. 12 dB	20.2 dB
Ripple		< 1 dB	dB
Impedance		In / Out : 50 Ω	In / Out : 50 Ω
(4) Torque for Tuning Screw		> 60gf · cm	
(5) Temperature Condition:			
Operating Temperature		0°C ~ +60°C	
Storage Temperature		-20°C ~ +70°C	
(6) Input Power		> 1Watt	

(7) Measuring Circuit: ※Easy to match Impedance S11/S22 50Ω by parallel with about (- -).



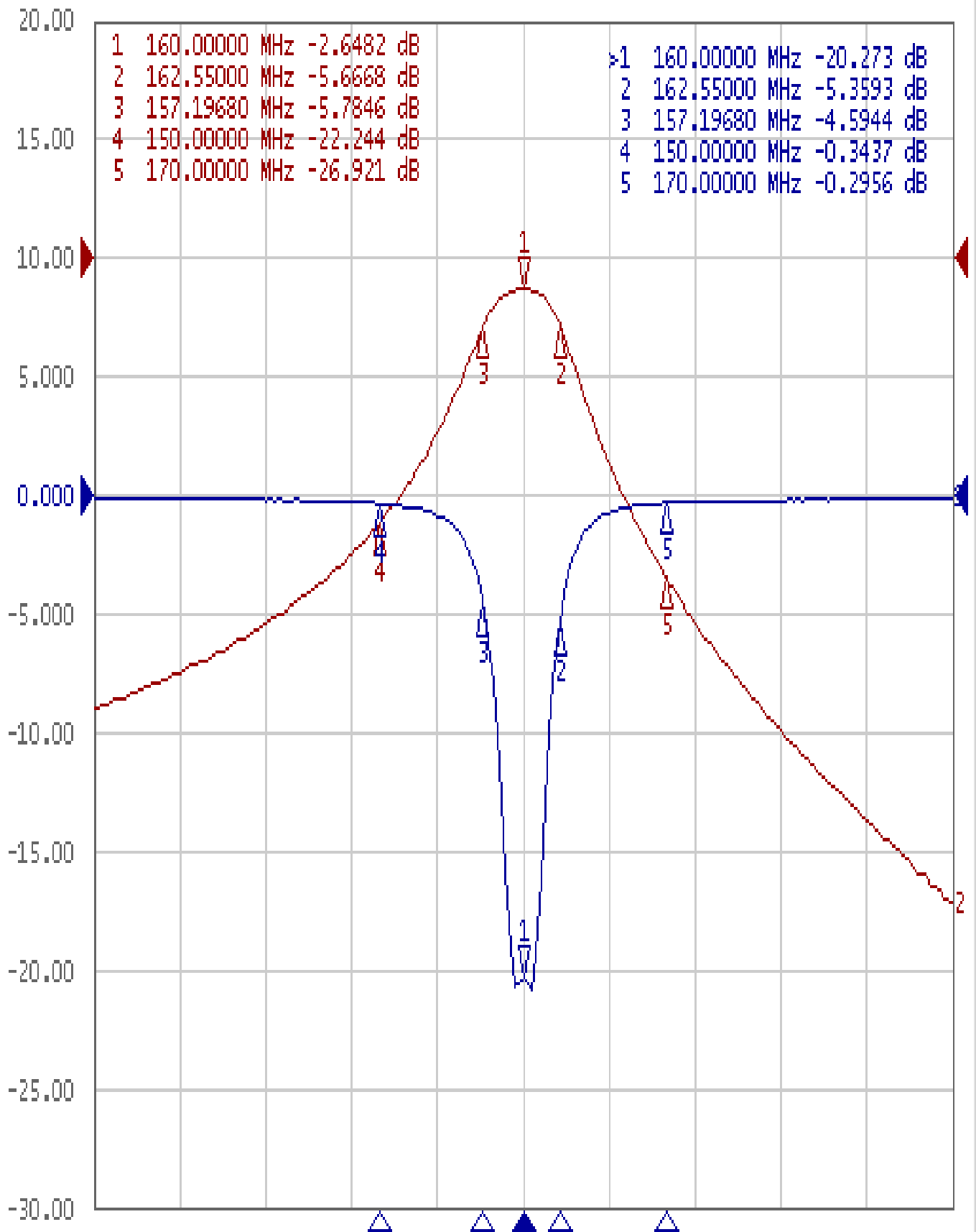
Approval C.Y.Chang	Supervisor C.K.Chang	Designer W.W.Wang	Aperture size 7H2S(4*5.35)(5.40) 7H024LB4
-----------------------	-------------------------	----------------------	---

TEMWELL CORPORATION

# Performance-TD62715B-160M

## 201709036CD

Tr1 S11 Log Mag 5.000dB/ Ref 0.000dB [F2]  
Tr2 S21 Log Mag 10.00dB/ Ref 0.000dB [F2]



1 Center 160 MHz

IFBW 70 kHz

Span 60 MHz Cor !