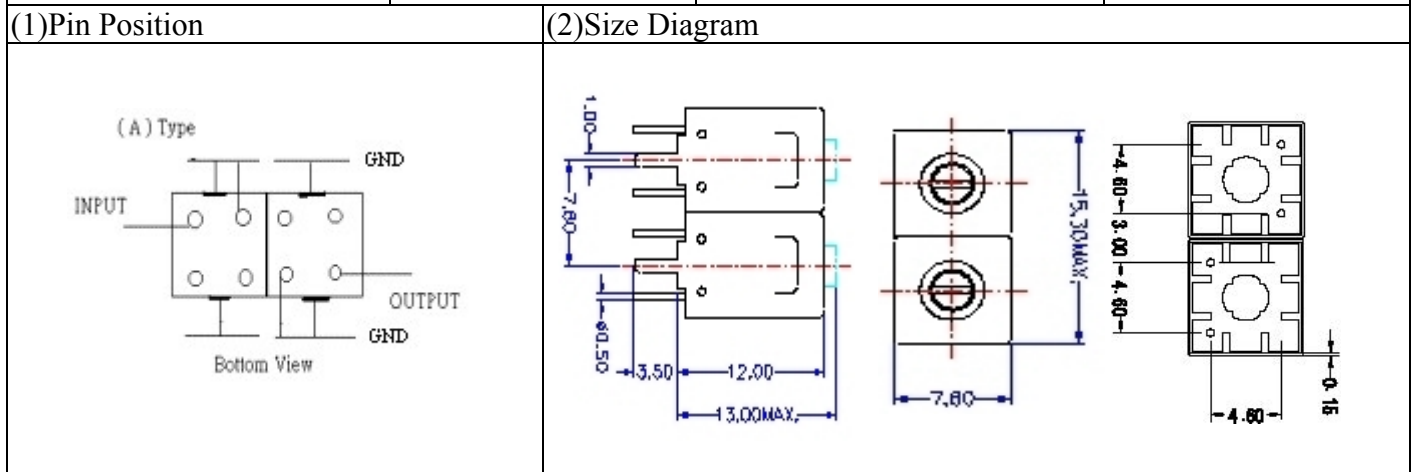


VHF UHF Helical Filter Specification Sheet

Customer Name		Temwell's Part No.	TD62717A-460M
Approval No. /dated	201709038CD	Temwell's Print Name.	62717A 460M
Work Instruction No.	201709038CD	Date	Oct.24.2017



(3) Electric Characteristic

Item	Specify	Performance	
Center Freq.(Fo) +/- 0.5 %	460 MHz	460 MHz	
Insertion Loss	7 dB	6.11 dB	
-3 dB Bandwidth	Typ. 2 MHz	5.3 MHz	
Sensitivity (Attenuation)	Fo -30 MHz	Typ. 39 dBc	44 dBc
	Fo +30 MHz	Typ. 33 dBc	38 dBc
	Fo - ()MHz	Typ. dBc	dBc
	Fo +()MHz	Typ. dBc	dBc
Return Loss	Min. 12 dB	24.3 dB	
Ripple	< 1 dB	dB	
Impedance	In / Out : 50 Ω	In / Out : 50 Ω	
(4) Torque for Tuning Screw	> 60gf · cm		

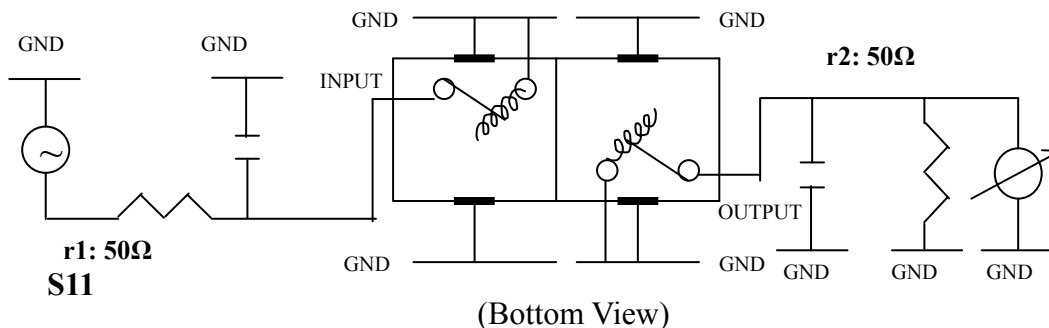
(5) Temperature Condition:

Operating Temperature	0°C ~ +60°C
Storage Temperature	-20°C ~ +70°C

(6) Input Power

(7) Measuring Circuit: ※ Easy to match Impedance 50Ω by parallel with about (- -).

S22



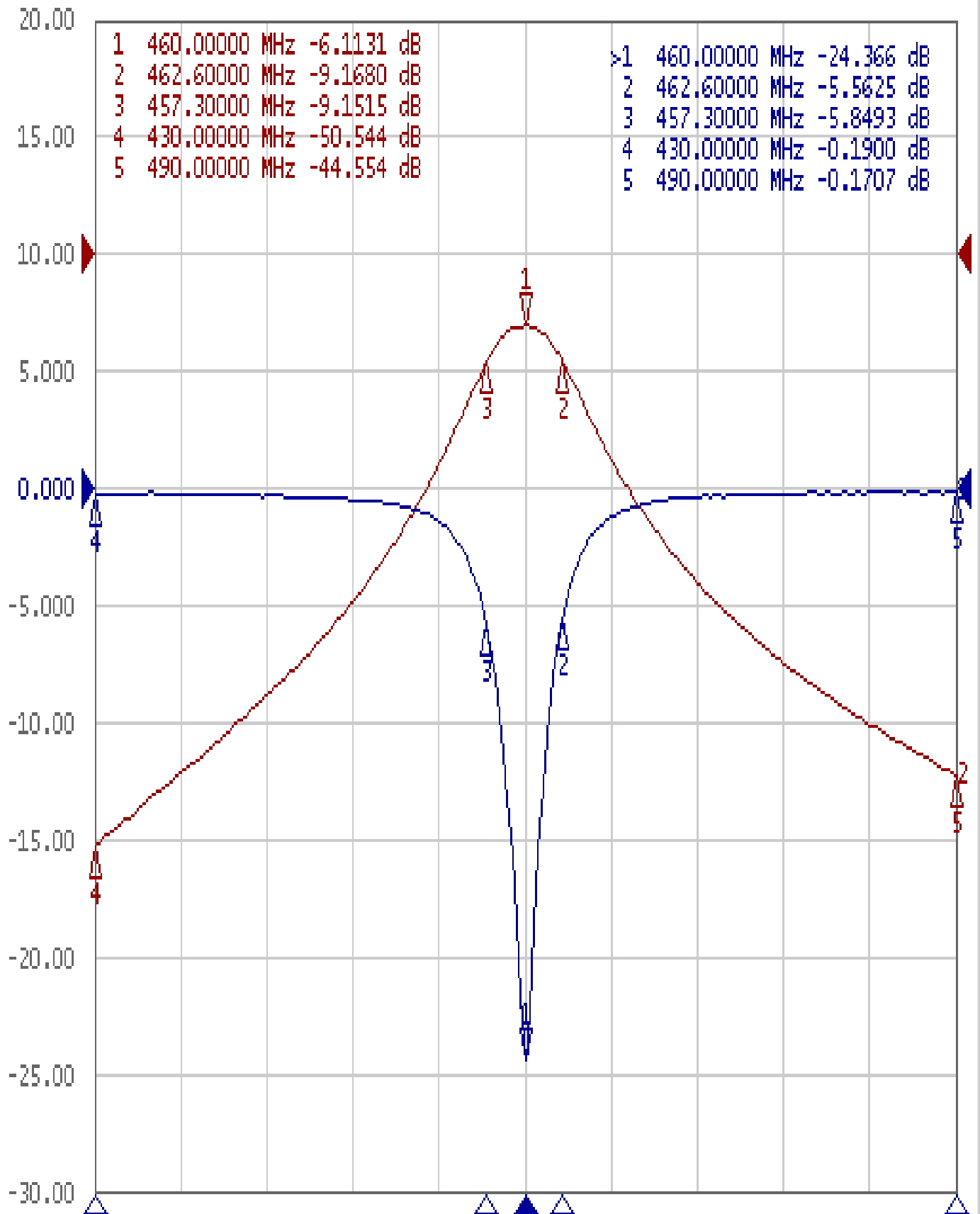
Approval	Supervisor	Designer	Aperture size
C.Y.Chang	C.K.Chang	W.W.Wang	7H2S(4*4.5)(4.53) 7H046LB4.3 聚 3
TEMWELL CORPORATION			

Performance-TD62717A-460M

201709038CD

Tr1 S11 Log Mag 5.000dB/ Ref 0.000dB [F2]

Tr2 S21 Log Mag 10.00dB/ Ref 0.000dB [F2]



1 Center 460 MHz

IFBW 70 kHz

Span 60 MHz Cor !