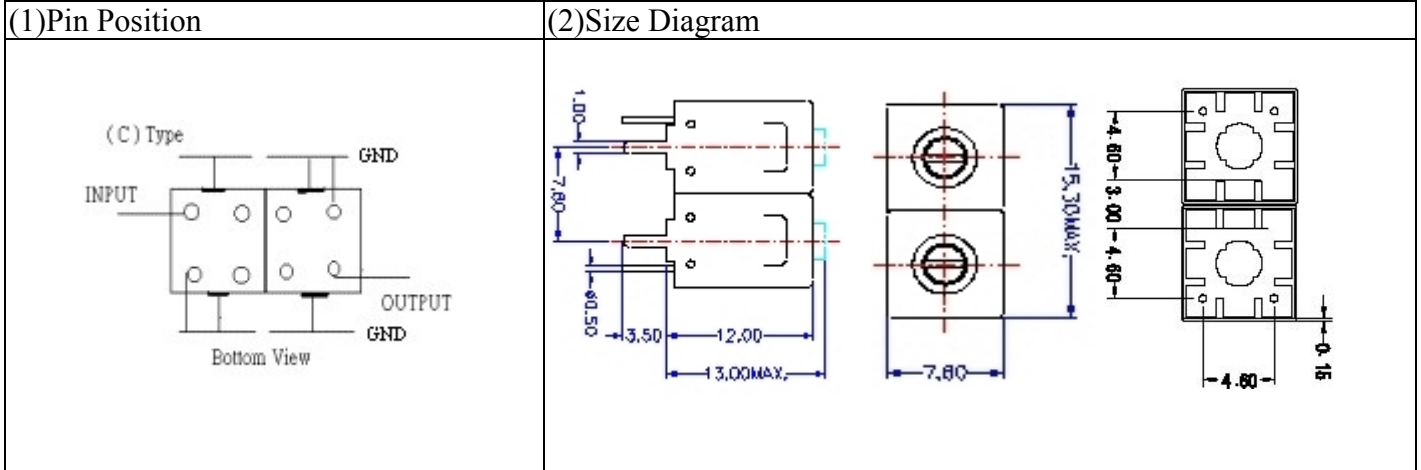


VHF UHF Helical Filter Specification Sheet

Customer Name		Temwell's Part No.	TD62719C-868M
Approval No. /dated	201709040CD	Customer's Part No.	62719C 868M
Work Instruction No.	201709040CD	Date	Sep.19.2017



(3) Electric Characteristic

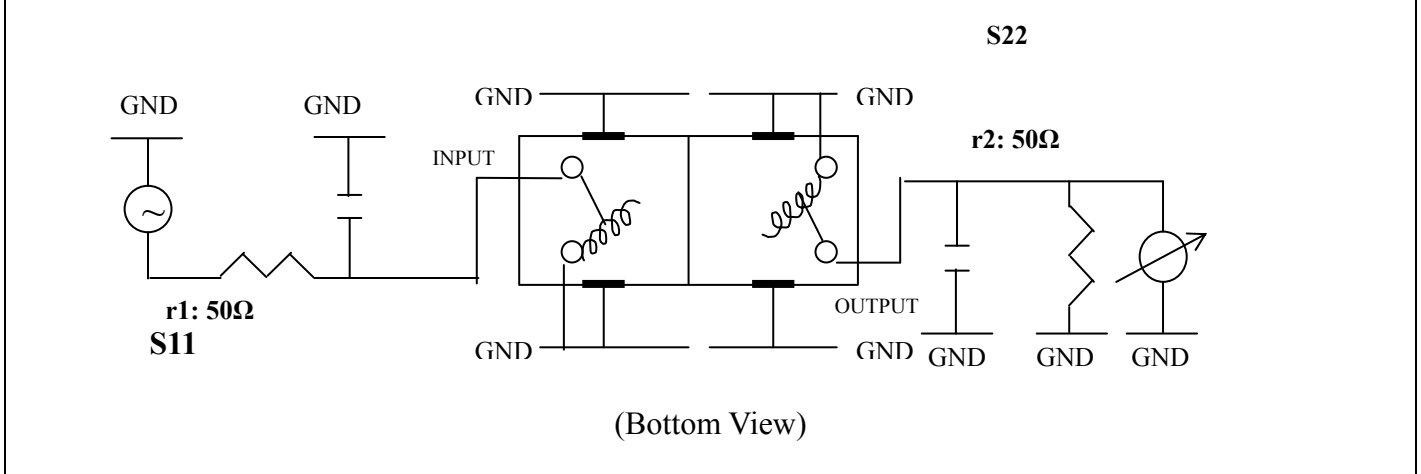
Item	Specify	Performance
Center Freq.(Fo) +/- 0.5 %	868 MHz	868 MHz
Insertion Loss	Typ. 7.0 dB	5.79 dB
-3 dB Bandwidth	Typ. 5 MHz	11.1 MHz
Sensitivity (Attenuation)	Fo - 50 MHz	Typ. 30 dBc
	Fo + 50 MHz	Typ. 25 dBc
	Fo - ()MHz	Typ. dBc
	Fo +()MHz	Typ. dBc
Return Loss	Min. 12 dB	26.3 dB
Ripple	< 1 dB	dB
Impedance	In / Out : 50 Ω	In / Out : 50 Ω
(4) Torque for Tuning Screw	> 60gf • cm	

(5) Temperature Condition:

Operating Temperature	0°C ~ +60°C
Storage Temperature	-20°C ~ +70°C

(6) Input Power > 1Watt

(7) Measuring Circuit: ※Easy to match Impedance S11/S22 50Ω/ by parallel with about(- -).



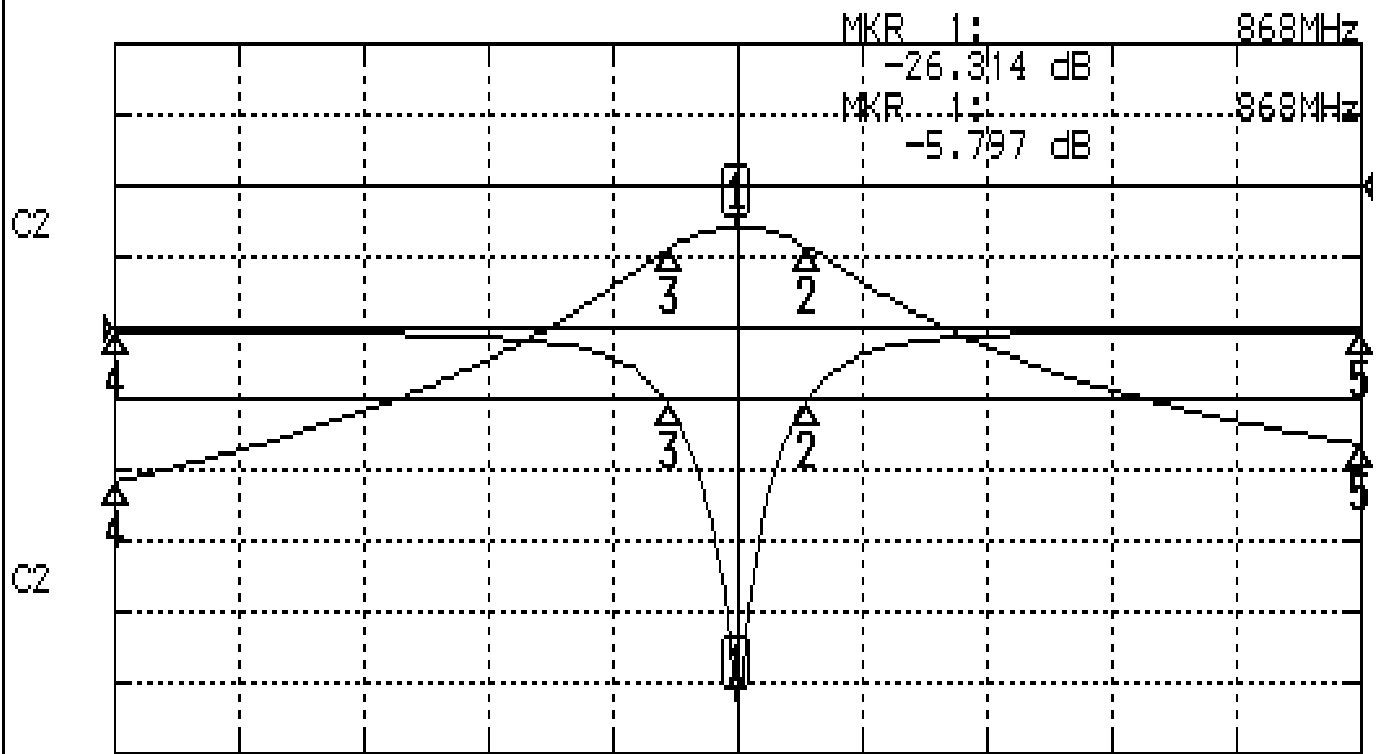
Approval	Supervisor	Designer	Aperture size
C.Y.Chang	C.S.Chang	C.H.Yeh	7H2S(4*4.5)(4.56) 7H046RB4(J1)

TEMWELL CORPORATION

Performance-TD62719C-868M

201709040CD

CH1 S11 LOG MAG REF 0.000 dB 5.000 dB/
CH2 S21 LOG MAG REF 0.000 dB 10.000 dB/



CENTER 868MHz

[10.00 dBm]

SPAN 100MHz

CH1 MARKER LIST

1:	868.000MHz	-26.318 dB
2:	873.666MHz	-4.998 dB
3:	862.500MHz	-5.422 dB
4:	818.000MHz	-0.229 dB
5:	918.000MHz	-0.196 dB

CH2 MARKER LIST

1:	868.000MHz	-5.797 dB
2:	873.666MHz	-8.724 dB
3:	862.500MHz	-8.765 dB
4:	818.000MHz	-41.574 dB
5:	918.000MHz	-36.358 dB