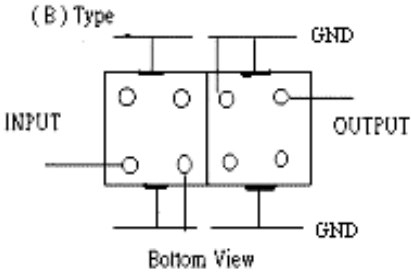
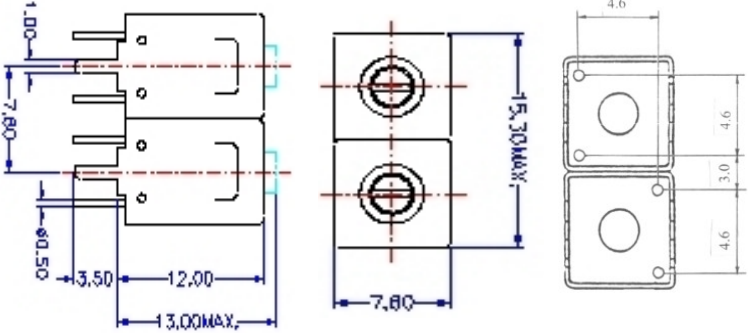


VHF UHF Helical Filter Specification Sheet

Customer Name		Temwell's Part No.	TD6712B-152M
Approval No. /dated	9703102	Acceptable Specify Fo. Range	146~165M
Work Instruction No.	9703102	Date	2003.01.08

<p>(1)Pin Position</p> 	<p>(2)Size Diagram</p> 
--	---

(3)Electric Character

Item	Specify	Performance	
Center Freq.(Fo) +/- 0.75 %	152 MHz	152 MHz	
Tunable Range	15±2 MHz	152±2 MHz	
Insertion Loss	Typ. 5 dB	3.81 dB	
-3 dB Bandwidth	Typ. 3 MHz	5 MHz	
Sensitivity (Attenuation)	Fo - 10 MHz	Typ. 16 dBc	19 dBc
	Fo + 10 MHz	Typ. 21 dBc	24 dBc
	Fo - ()MHz	Typ. dBc	dBc
	Fo +()MHz	Typ. dBc	dBc
Return Loss	Min. 12 dB	16.0 dB	
Ripple	< 1 dB	1 dB	
Impedance	In / Out : 50 Ω	In / Out : 50 Ω	
(4)Torque for Tuning Screw	> 100gf • cm		

(5)Temperature Condition:

Operating Temperature	-30℃ ~ +70℃
Storage Temperature	-30℃ ~ +80℃

(6)Input Power

Approval	Supervisor	Designer	Aperture size
C.Y.Chang	C.S.Chang	C.S.Chang	7H2S(4*5.5)F 7H024LB4

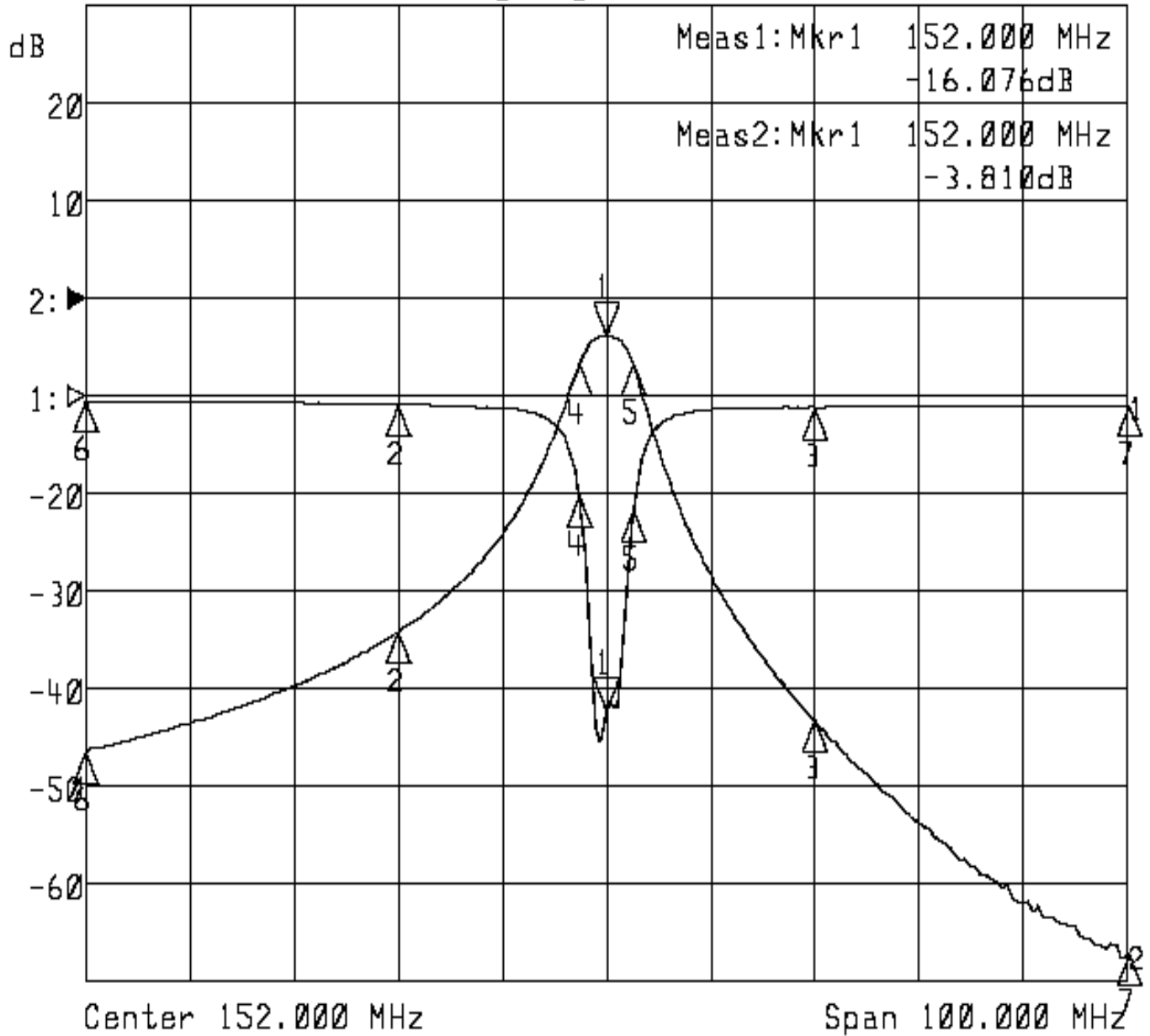
TEMWELL CORPORATION

Performance- TD6712B-152M

9703102

▷1:S11 Refl Port1 Log Mag 5.0 dB/ Ref 0.00 dB

▶2:S21 Fwd Trans Log Mag 10.0 dB/ Ref 0.00 dB



1:Mkr (MHz)	dB	2:Mkr (MHz)	dB
1> 152.0000	-16.076	1> 152.0000	-3.810
2: 132.0000	-0.465	2: 132.0000	-34.256
3: 172.0000	-0.600	3: 172.0000	-43.271
4: 149.4000	-5.129	4: 149.4000	-6.844
5: 154.6333	-5.866	5: 154.6333	-6.854
6: 102.0000	-0.302	6: 102.0000	-46.538
7: 202.0000	-0.514	7: 202.0000	-67.305