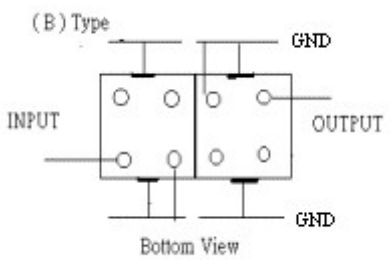
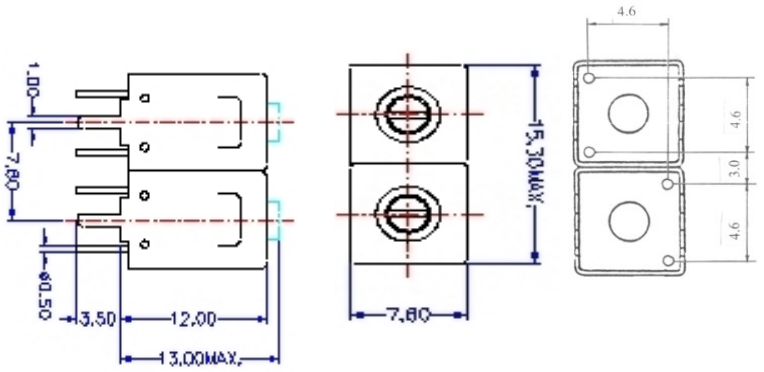


VHF UHF Helical Filter Specification Sheet

Customer Name		Temwell's Part No.	TD6716B-96M
Approval No. /dated	9911018D	Acceptable Specify Fo. Range	96~107M
Work Instruction No.	9911018D	Date	Nov.10.1999

<p>(1)Pin Position</p> 	<p>(2)Size Diagram</p> 
--	---

(3)Electric Character			
Item	Specify	Performance	
Center Freq.(Fo) +/- 0.5 %	96 MHz	96	MHz
Tunable Range	96±2 MHz	96±2	MHz
Insertion Loss	Typ. 2.5 dB	2.39	dB
-3 dB Bandwidth	Typ. 7 MHz	7.8	MHz
Sensitivity (Attenuation)	Fo - 30 MHz	Typ. 28	dBc
	Fo + 30 MHz	Typ. 35	dBc
	Fo - ()MHz	Typ.	dBc
	Fo +()MHz	Typ.	dBc
Return Loss	Min. 12 dB	19.5	dB
Ripple	< 1 dB		dB
Impedance	In / Out : 50 Ω	In / Out : 50 Ω	
(4)Torque for Tuning Screw	> 100gf • cm		

(5)Temperature Condition:	
Operating Temperature	0°C ~ +60°C
Storage Temperature	-20°C ~ +70°C

(6)Input Power			
> 1Watt			
Approval	Supervisor	Designer	Aperture size
C. Y. Chang	C.S. Chang	C. S. Chang	7H2(4*7.5) 7H00LB4

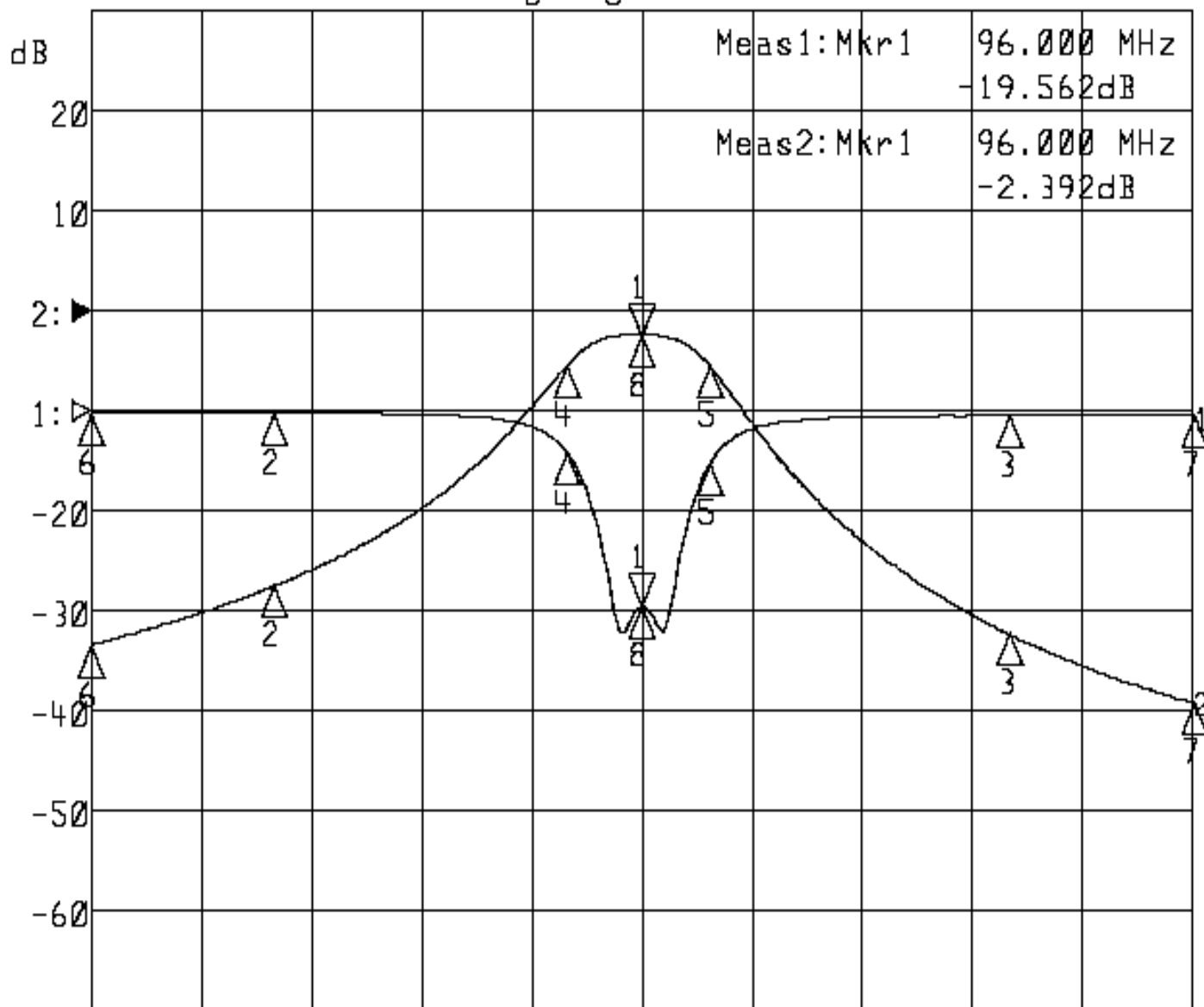
TEMWELL CORPORATION

Performance-TD6716B-96M

9911018D

▷1:S11 Refl Port1 Log Mag 10.0 dB/ Ref 0.00 dB

▶2:S21 Fwd Trans Log Mag 10.0 dB/ Ref 0.00 dB



Center 96.000 MHz

Span 60.000 MHz

1: Mkr (MHz) dB			2: Mkr (MHz) dB		
1>	96.0000	-19.562	1>	96.0000	-2.392
2:	76.0000	-0.263	2:	76.0000	-27.530
3:	116.0000	-0.526	3:	116.0000	-32.349
4:	91.9200	-4.138	4:	91.9200	-5.491
5:	99.7000	-5.361	5:	99.7000	-5.424
6:	66.0000	-0.260	6:	66.0000	-33.455
7:	126.0000	-0.529	7:	126.0000	-39.162
8:	96.0000	-19.562	8:	96.0000	-2.392