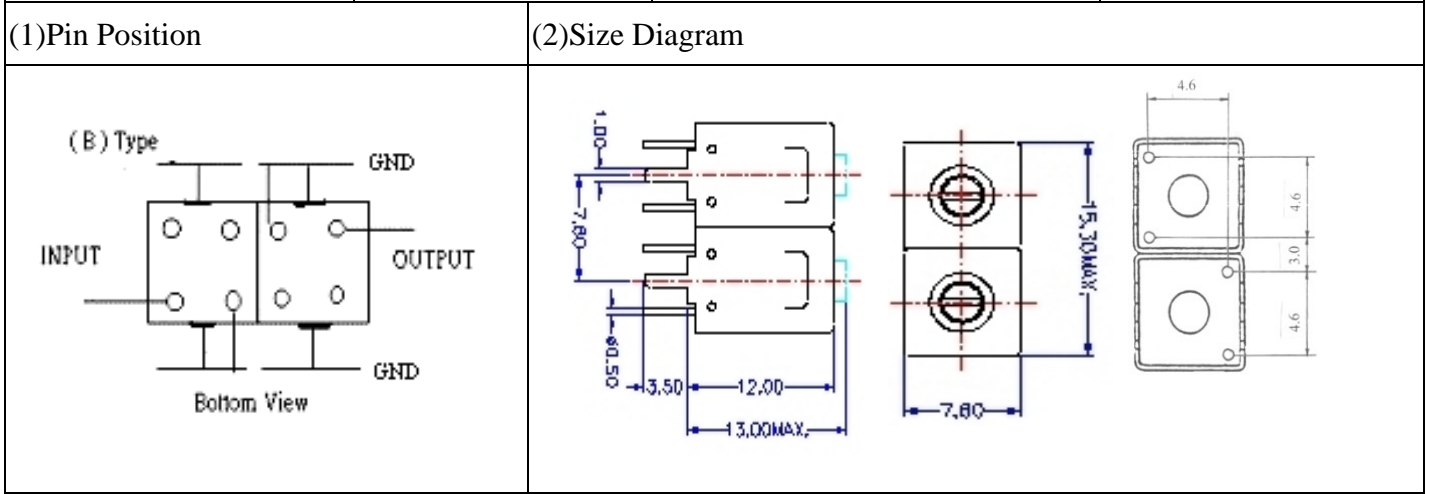


# VHF UHF Helical Filter Specification Sheet

Customer Name		Temwell's Part No.	TD67182B-243M
Approval No. /dated	20208119B	Acceptable Specify Fo. Range	221~245MHz
Work Instruction No.	20208119B	Date	Aug.28.2002



(3)Electric Character			
Item	Specify	Performance	
Center Freq.(Fo ) +/- 0.75 %	243 MHz	243	MHz
Tunable Range	243±4 MHz	243±4	MHz
Insertion Loss	Typ. 2.0 dB	1.46	dB
-3 dB Bandwidth	Typ. 15 MHz	17.3	MHz
Sensitivity (Attenuation)	Fo - 50 MHz	Typ. 27	dBc
	Fo + 50 MHz	Typ. 34	dBc
	Fo - ( )MHz	Typ.	dBc
	Fo +( )MHz	Typ.	dBc
Return Loss	Min. 12 dB	12.2	dB
Ripple	< 1 dB	1	dB
Impedance	In / Out : 50 Ω	In / Out : 50 Ω	

(4)Torque for Tuning Screw > 100gf · cm

(5)Temperature Condition:	
Operating Temperature	-30°C ~ +70°C
Storage Temperature	-30°C ~ +80°C

(6)Input Power > 1Watt

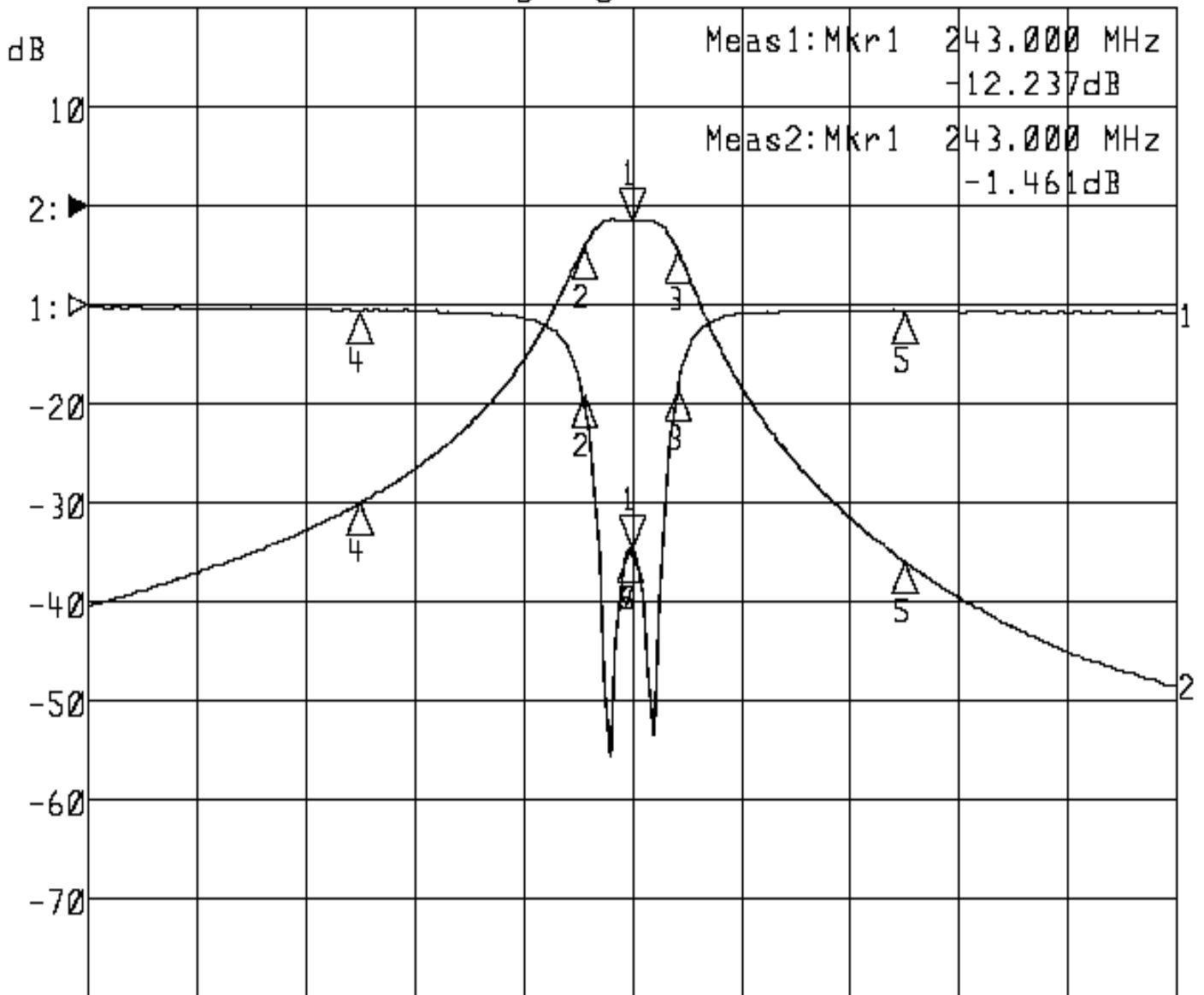
Approval	Supervisor	Designer	Aperture size
C.Y. Chang	C.S. Chang	C.S. Chang	7H2S(4*6.5)F 7H024LB4

TEMWELL CORPORATION

# Performance-TD67182B-243M

## 20208119B

▶1: S11 Refl Port1    Log Mag    5.0 dB/ Ref    0.00 dB    C  
▶2: S21 Fwd Trans    Log Mag    10.0 dB/ Ref    0.00 dB    C



Center 243.000 MHz

Span 200.000 MHz

1: Mkr (MHz)	dB	2: Mkr (MHz)	dB
1> 243.0000	-12.237	1> 243.0000	-1.461
2: 234.0400	-4.592	2: 234.0400	-4.281
3: 251.3267	-4.276	3: 251.3267	-4.383
4: 193.0000	-0.340	4: 193.0000	-30.112
5: 293.0000	-0.359	5: 293.0000	-35.887
6: 242.5000	-12.395		
7: 242.5000	-12.395		