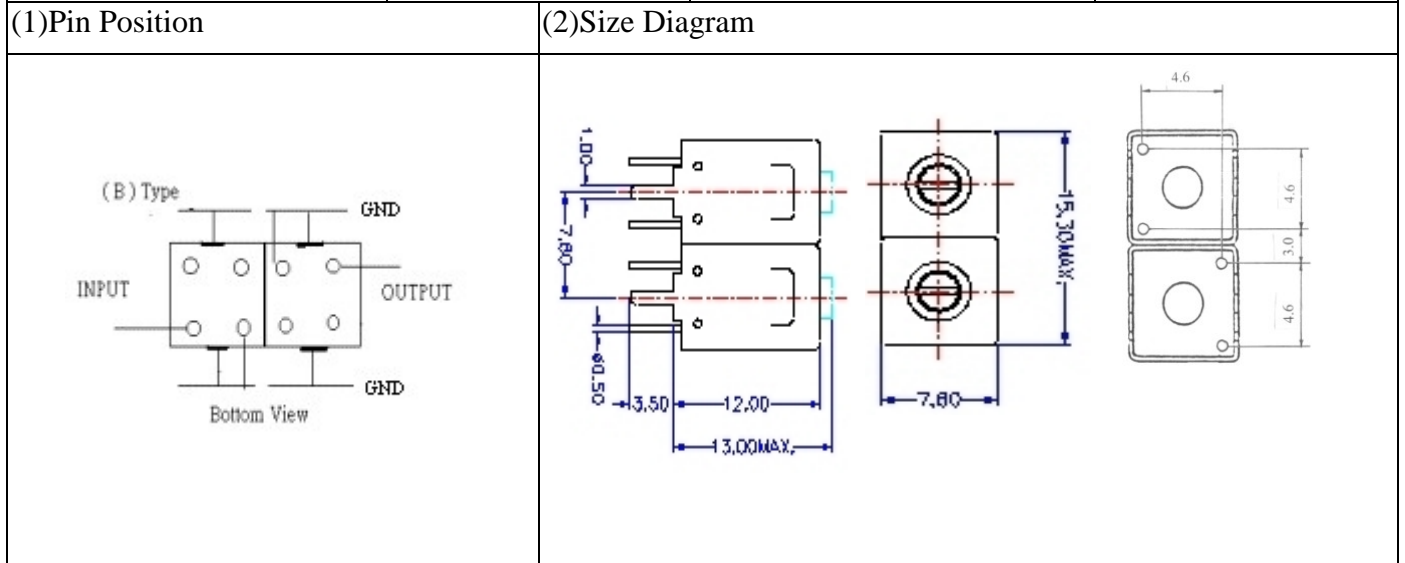


VHF UHF Helical Filter Specification Sheet

Customer Name		Temwell's Part No.	TD67185B-70M
Approval No. /dated	9703114	Acceptable Specify Range	68~75MHz
Work Instruction No.	9703114	Date	



(3) Electric Characteristic

Item	Specify	Performance	
Center Freq.(Fo) +/- 0.5 %	70 MHz	70 MHz	
Tunable Range	70±2 MHz	70±2 MHz	
Insertion Loss	Typ. 3.5 dB	2.62 dB	
-3 dB Bandwidth	Typ. 3 MHz	4.5 MHz	
Sensitivity (Attenuation)	Fo - 20 MHz	Typ. 29 dBc	40 dBc
	Fo + 20 MHz	Typ. 38 dBc	32 dBc
	Fo - ()MHz	Typ. dBc	dBc
	Fo +()MHz	Typ. dBc	dBc
Return Loss	Min. 12 dB	15.2 dB	
Ripple	< 1 dB	dB	
Impedance	In / Out : 50 Ω	In / Out : 50 Ω	
(4) Torque for Tuning Screw	> 100gf • cm		

(5) Temperature Condition:

Operating Temperature	0°C ~ +60°C
Storage Temperature	20°C ~ +70°C

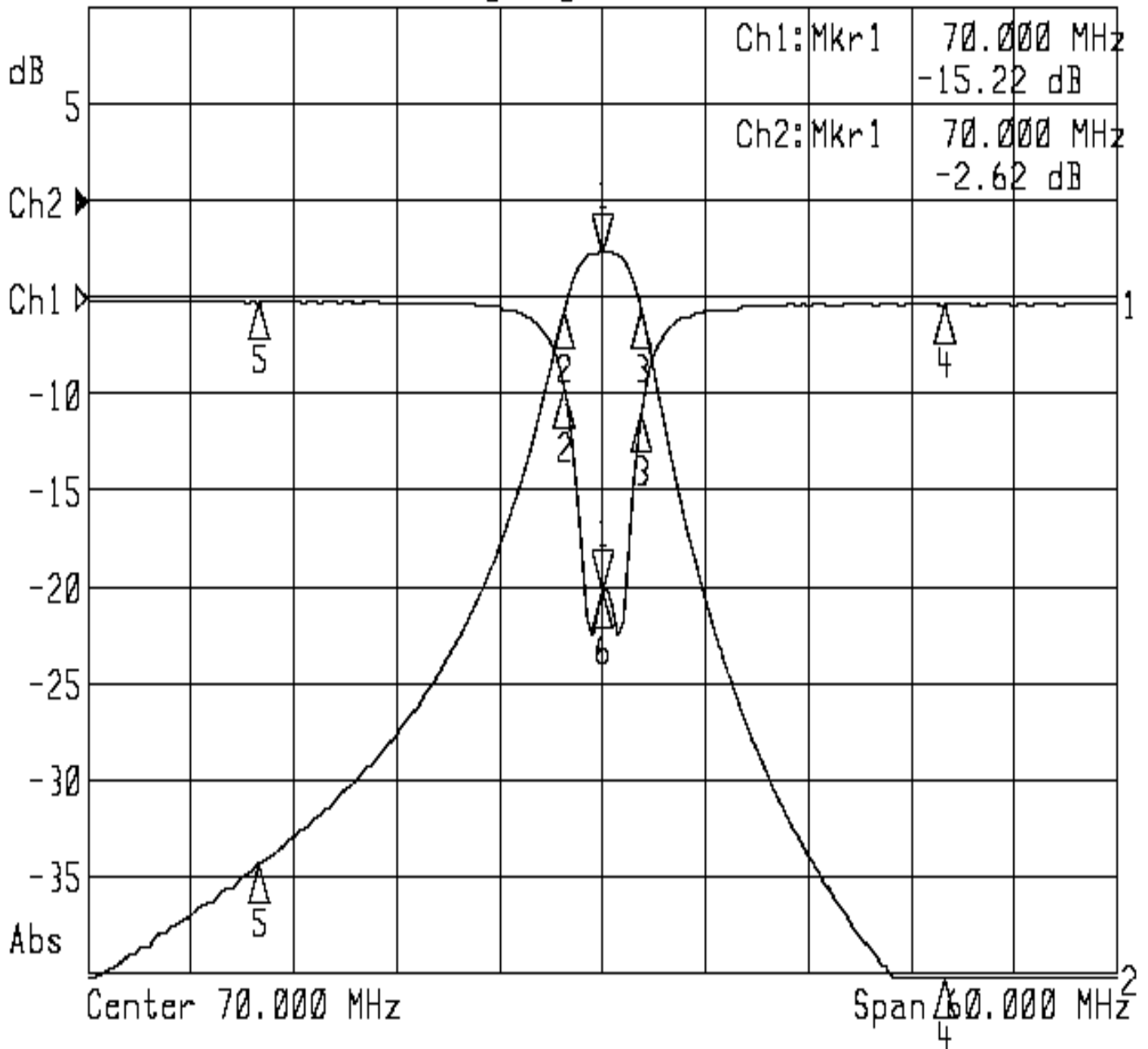
(6) Input Power

		> 1Watt	
Approval	Supervisor	Designer	Aperture size
C.Y.Chang	C.S.Chang	C.S.Chang	7H2S(4*6.5)F 7H00LB4

Performance- TD67185B-70M

9703114

▶1: Reflection Log Mag 5.0 dB/ Ref 0.00 dB C
 ▶2: Transmission Log Mag 5.0 dB/ Ref 0.00 dB C



1: Mkr (MHz)	dB	2: Mkr (MHz)	dB
1> 70.00	-15.22	1> 70.00	-2.62
2: 67.77	-4.69	2: 67.77	-5.62
3: 72.27	-5.97	3: 72.27	-5.56
4: 90.00	-0.29	4: 90.00	-42.87
5: 50.00	-0.23	5: 50.00	-34.37
6: 70.00	-15.22		