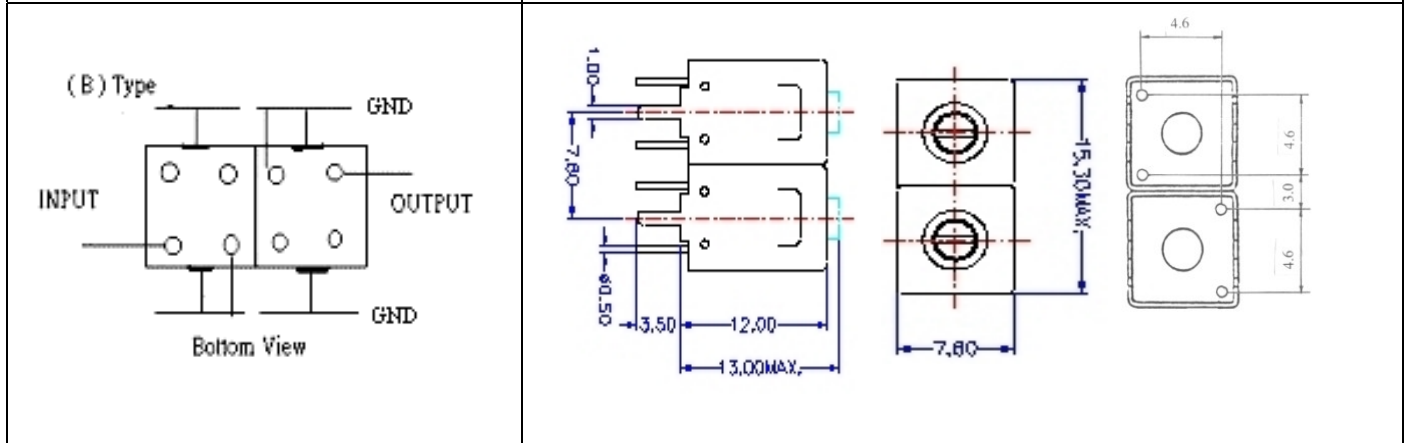


# VHF UHF Helical Filter Specification Sheet

Customer Name		Temwell's Part No.	TD67193B-140M
Approval No. /dated	20112022B	Acceptable Specify Fo. Range	126~145MHz
Work Instruction No.	20112022B	Date	

(1)Pin Position	(2)Size Diagram
-----------------	-----------------



(3)Electric Character
-----------------------

Item	Specify	Performance
Center Freq.(Fo ) +/- 0.5 %	140 MHz	140 MHz
Tunable Range	140±2 MHz	140±2 MHz
Insertion Loss	Typ. 3.0 dB	2.01 dB
-3 dB Bandwidth	Typ. 11 MHz	12.6 MHz
Sensitivity (Attenuation)	Fo -50 MHz	Typ. 27 dBc
	Fo +50 MHz	Typ. 34 dBc
	Fo - ( )MHz	Typ. dBc
	Fo +( )MHz	Typ. dBc
Return Loss	Min. 12 dB	17.2 dB
Ripple	< 1 dB	1 dB
Impedance	In / Out : 50 Ω	In / Out : 50 Ω
(4)Torque for Tuning Screw	> 100gf • cm	

(5)Temperature Condition:
---------------------------

Operating Temperature	0°C ~ +60°C
Storage Temperature	-20°C ~ +70°C
(6)Input Power	> 1Watt

Approval	Supervisor	Designer	Aperture size
C.Y.Chang	C.S.Chang	C.S.Chang	7H2S(4*7.5)F 7H00LB4

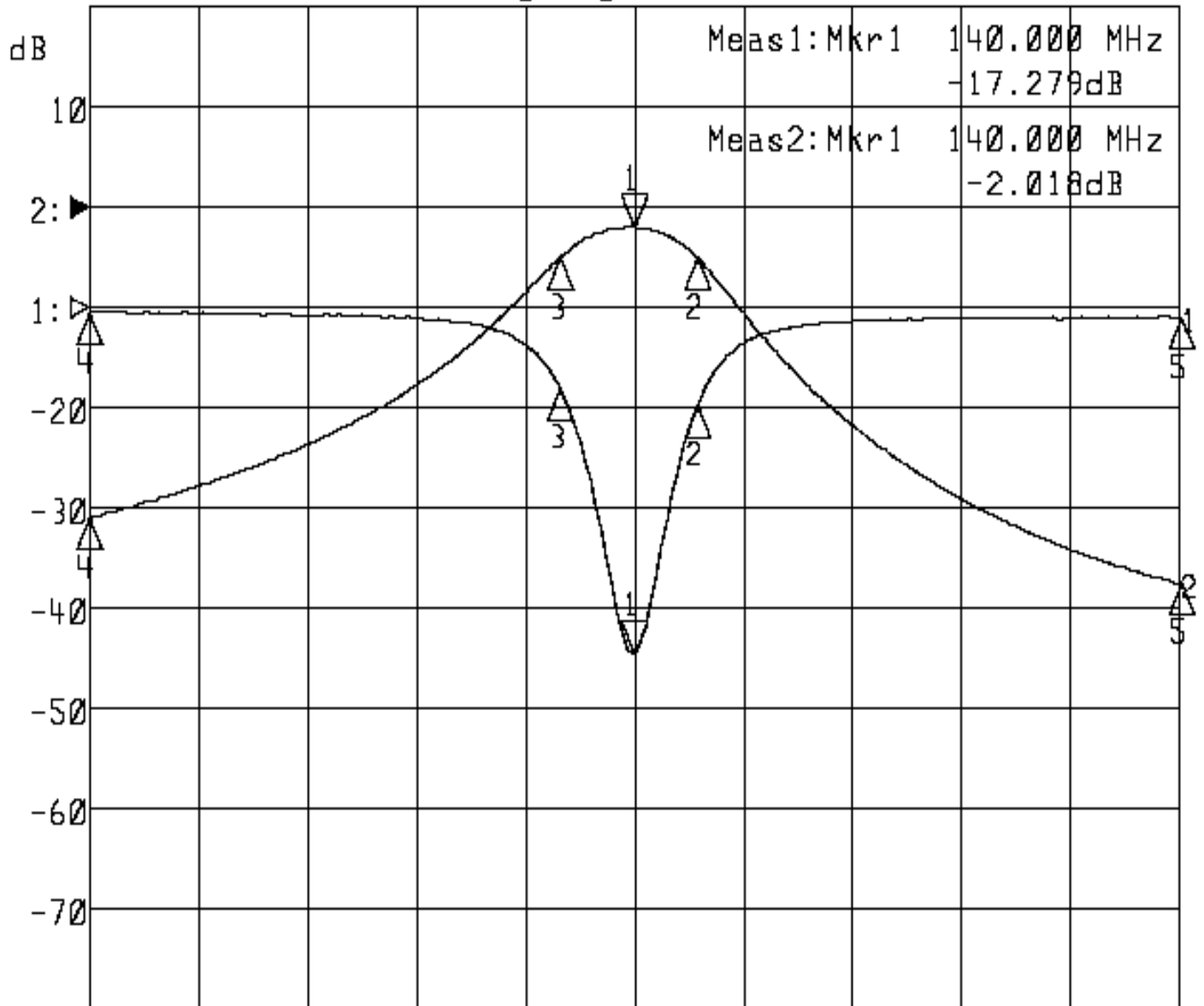
TEMWELL CORPORATION

# Performance-TD67193B-140M

## 20112022B

▷1:S11 Refl Port1 Log Mag 5.0 dB/ Ref 0.00 dB C

▷2:S21 Fwd Trans Log Mag 10.0 dB/ Ref 0.00 dB C



Center 140.000 MHz

Span 100.000 MHz

1: Mkr (MHz)	dB	2: Mkr (MHz)	dB
1> 140.0000	-17.279	1> 140.0000	-2.018
2: 145.7667	-4.916	2: 145.7667	-4.999
3: 133.1600	-3.995	3: 133.1600	-5.067
4: 90.0000	-0.264	4: 90.0000	-31.034
5: 190.0000	-0.560	5: 190.0000	-37.551