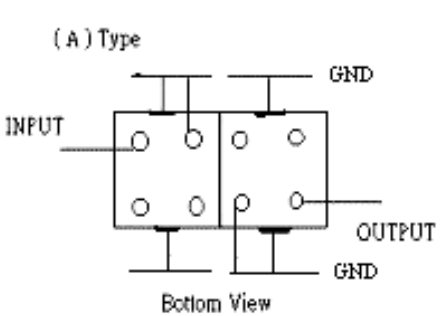
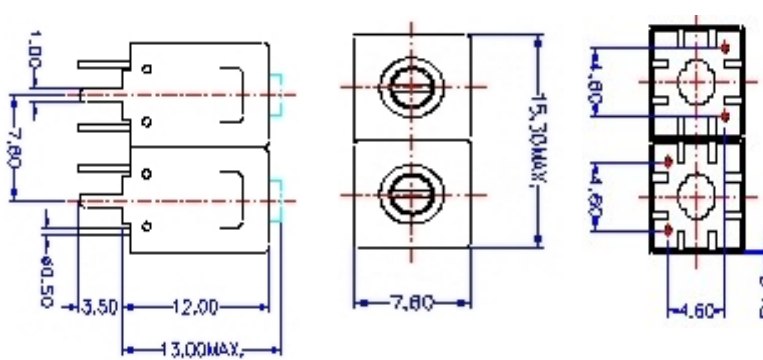


VHF UHF Helical Filter Specification Sheet

Customer Name		Temwell's Part No.	TD67279A-100M
Approval No. /dated	20011017B	Acceptable Specify Fo. Range	96~107MHz
Work Instruction No.	20011017B	Date	Nov.14.2000

<p>(1)Pin Position</p>  <p>(A) Type INPUT GND OUTPUT GND Bottom View</p>	<p>(2)Size Diagram</p>  <p>Dimensions shown: 1.00, 7.80, 1.00, 3.50, 12.00, 13.00MAX., 7.80, 15.30MAX., 4.80, 4.80, 4.60, 0.15</p>
--	--

(3)Electric Character

Item	Specify	Performance	
Center Freq.(Fo) +/- 0.5 %	100 MHz	100 MHz	
Tunable Range	100±2 MHz	100±2 MHz	
Insertion Loss	Typ. 3.0 dB	2.14 dB	
-3 dB Bandwidth	Typ. 10 MHz	12 MHz	
Sensitivity (Attenuation)	Fo - 30 MHz	Typ. 18 dBc	21 dBc
	Fo + 30MHz	Typ. 25 dBc	28 dBc
	Fo - ()MHz	Typ. dBc	dBc
	Fo +()MHz	Typ. dBc	dBc
Return Loss	Min. 12 dB	13.3 dB	
Ripple	< 1 dB	dB	
Impedance	In / Out : 50 Ω	In / Out : 50 Ω	

(4)Torque for Tuning Screw > 100gf • cm

(5)Temperature Condition:

Operating Temperature	0°C ~ +60°C
Storage Temperature	-20°C ~ +70°C

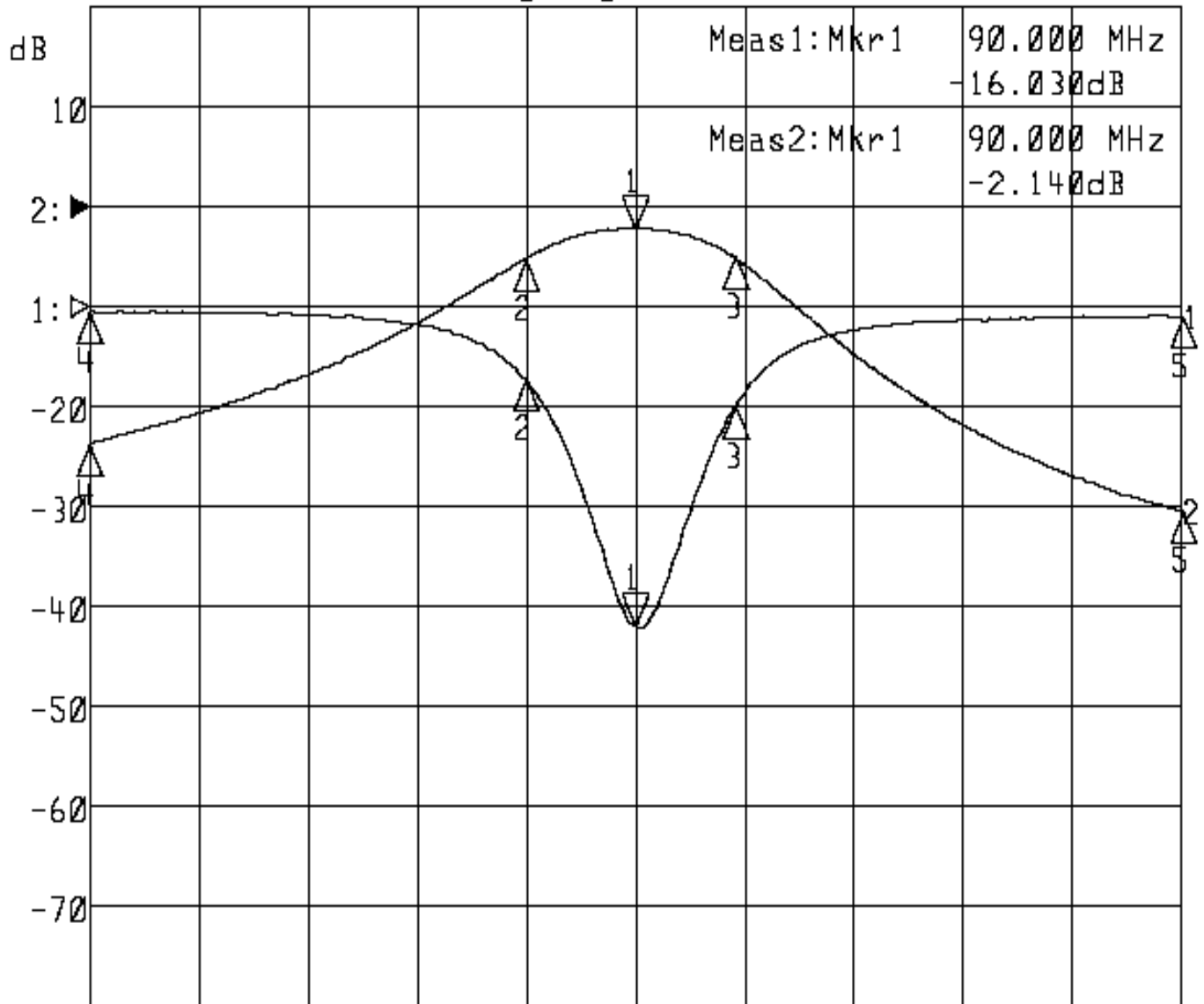
(6)Input Power > 1Watt

Approval	Supervisor	Designer	Aperture size
C.Y. Chang	C.S. Chang	Z. M. Weng	7H2S(4*6.5)F 7H00LB4

Performance-TD67279A-100M

20011017B

►1:S11 Refl Port1 Log Mag 5.0 dB/ Ref 0.00 dB C
►2:S21 Fwd Trans Log Mag 10.0 dB/ Ref 0.00 dB C



Center 90.000 MHz

Span 60.000 MHz

1:Mkr (MHz)	dB	2:Mkr (MHz)	dB
1> 90.0000	-16.030	1> 90.0000	-2.140
2: 83.9600	-3.621	2: 83.9600	-5.148
3: 95.4600	-4.999	3: 95.4600	-5.081
4: 60.0000	-0.247	4: 60.0000	-23.650
5: 120.0000	-0.484	5: 120.0000	-30.403