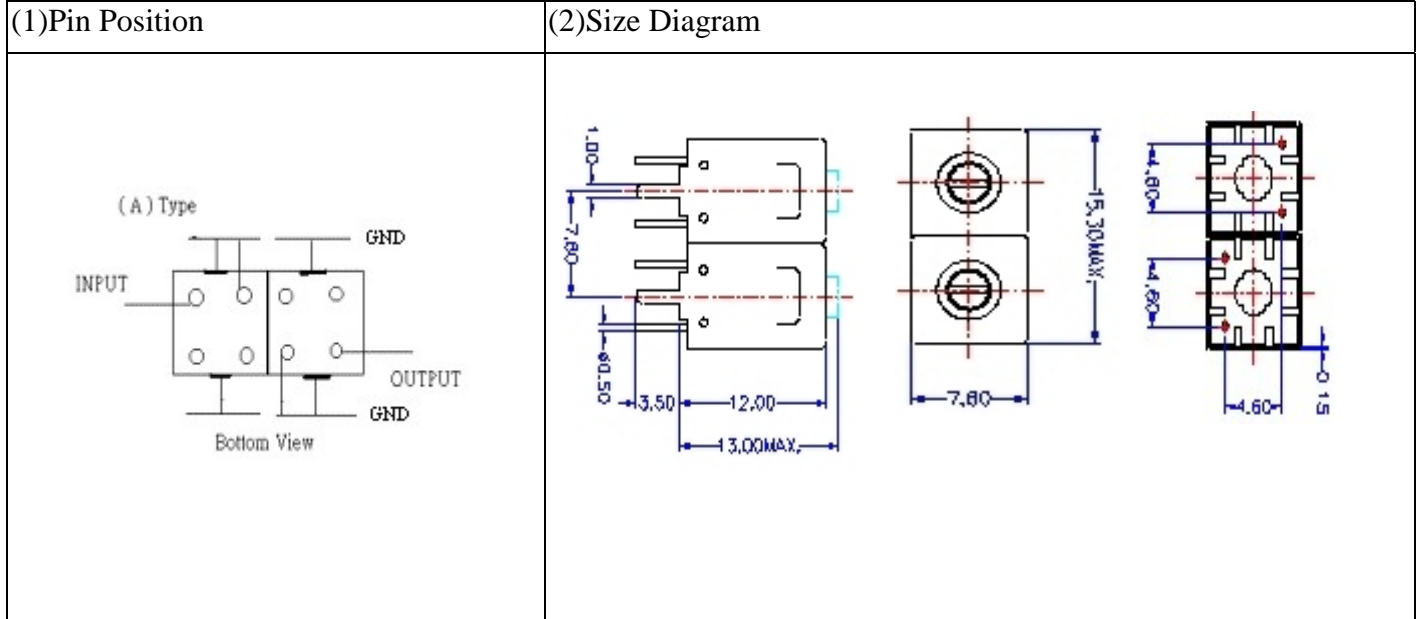


VHF UHF Helical Filter Specification Sheet

Customer Name		Temwell's Part No.	TD67281A-155M
Approval No. /dated	20110076B	Acceptable SpecifyFO Range	146~165MHz
Work Instruction No.	20110076B	Date	



(3)Electric Charasteric

Item	Specify	Performance	
Center Freq.(Fo) +/- 0.75 %	155 MHz	155 MHz	
Tunable Range	155±2 MHz	155±2 MHz	
Insertion Loss	Typ. 2.5 dB	1.69 dB	
-3 dB Bandwidth	Typ. 8 MHz	10 MHz	
Sensitivity (Attenuation)	Fo - 50 MHz	Typ. 34 dBc	37 dBc
	Fo + 50 MHz	Typ. 37 dBc	40 dBc
	Fo - ()MHz	Typ. dBc	dBc
	Fo +()MHz	Typ. dBc	dBc
Return Loss	Min. 12 dB	13.4 dB	
Ripple	< 1 dB	dB	
Impedance	In / Out : 50 Ω	In / Out : 50 Ω	

(4)Torque for Tuning Screw > 100gf · cm

(5)Temperature Condition:

Operating Temperature	-30°C ~ +70°C
Storage Temperature	-30°C ~ +80°C

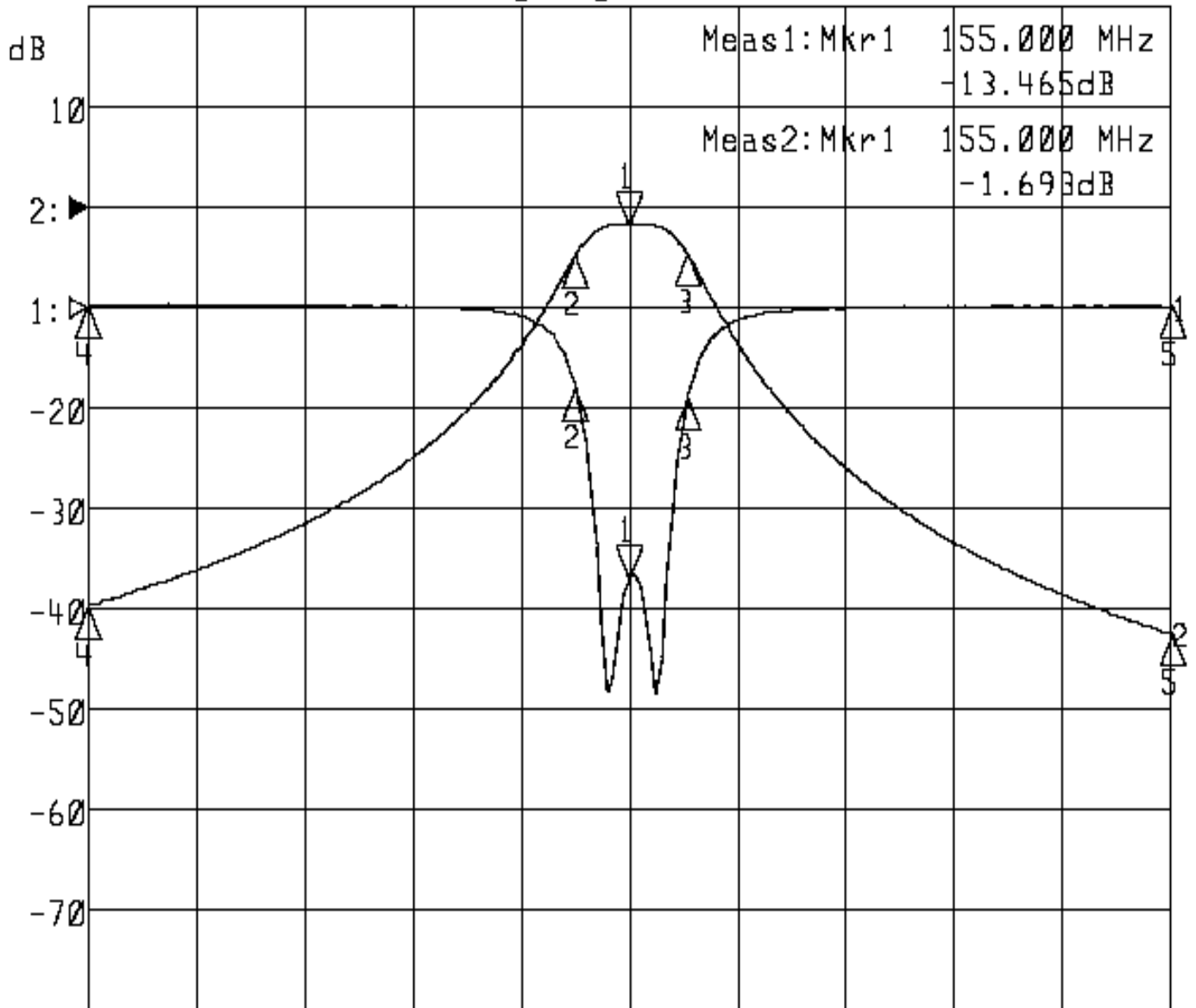
(6)Input Power > 1Watt

Approval C.Y.Chang	Supervisor C.S.Chang	Designer C.S.Chang	Aperture size 7H2S(4*7.5)F 7H024LB4
-----------------------	-------------------------	-----------------------	---

Performance-TD67281A-155M

20110076B

►1:S11 Refl Port1 Log Mag 5.0 dB/ Ref 0.00 dB C
►2:S21 Fwd Trans Log Mag 10.0 dB/ Ref 0.00 dB C



Center 155.000 MHz

Span 100.000 MHz

1:Mkr (MHz)	dB	2:Mkr (MHz)	dB
1> 155.0000	-13.465	1> 155.0000	-1.693
2: 150.1000	-4.012	2: 150.1000	-4.694
3: 160.4333	-4.466	3: 160.4333	-4.622
4: 105.0000	0.113	4: 105.0000	-39.673
5: 205.0000	0.066	5: 205.0000	-42.495