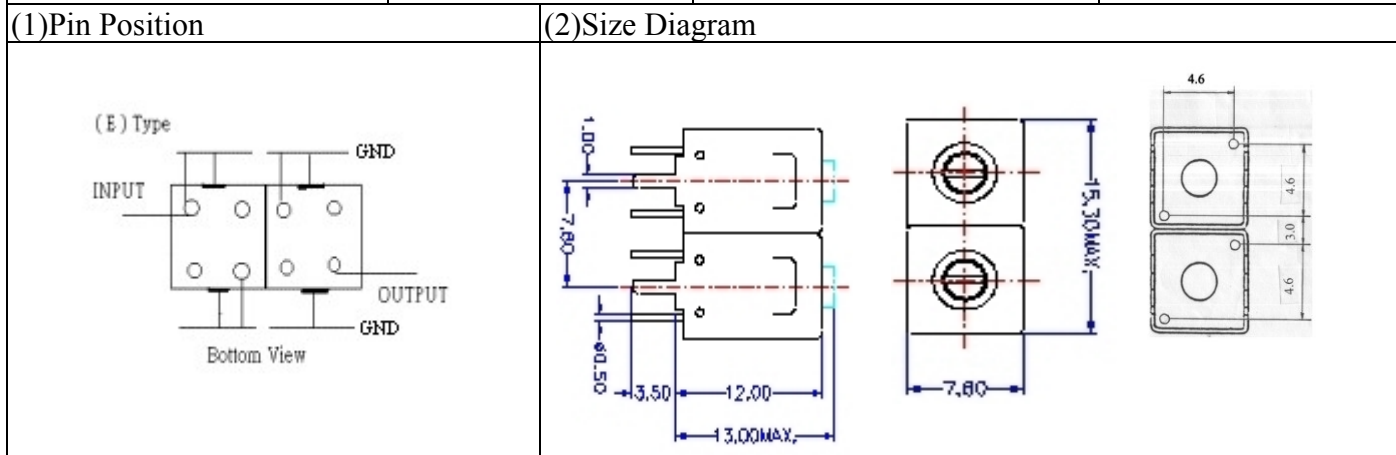


VHF UHF Helical Filter Specification Sheet

Customer Name		Temwell's Part No.	TD67281E1-159M
Approval No. /dated	0806135CD	Customer's Part Name.	67281E1 159M
Work Instruction No.	0806135CD	Date	June.30.2008



(3) Electric Characteristic

Item	Specify	Performance	
Center Freq.(Fo) +/- 0.75 %	159 MHz	159 MHz	
Tunable Range	159±2 MHz	159±2 MHz	
Insertion Loss	Typ. 2.5 dB	1.21 dB	
-3 dB Bandwidth	Typ. 10 MHz	12.0 MHz	
Sensitivity (Attenuation)	Fo - 50 MHz	Typ. 24 dBc	27 dBc
	Fo + 50MHz	Typ. 33 dBc	36 dBc
	Fo - ()MHz	Typ. dBc	dBc
	Fo +()MHz	Typ. dBc	dBc
Return Loss	Min. 12 dB	33.9 dB	
Ripple	< 1 dB	dB	
Impedance	In / Out : 50 Ω	In / Out : 50 Ω	

(4) Torque for Tuning Screw > 100gf · cm

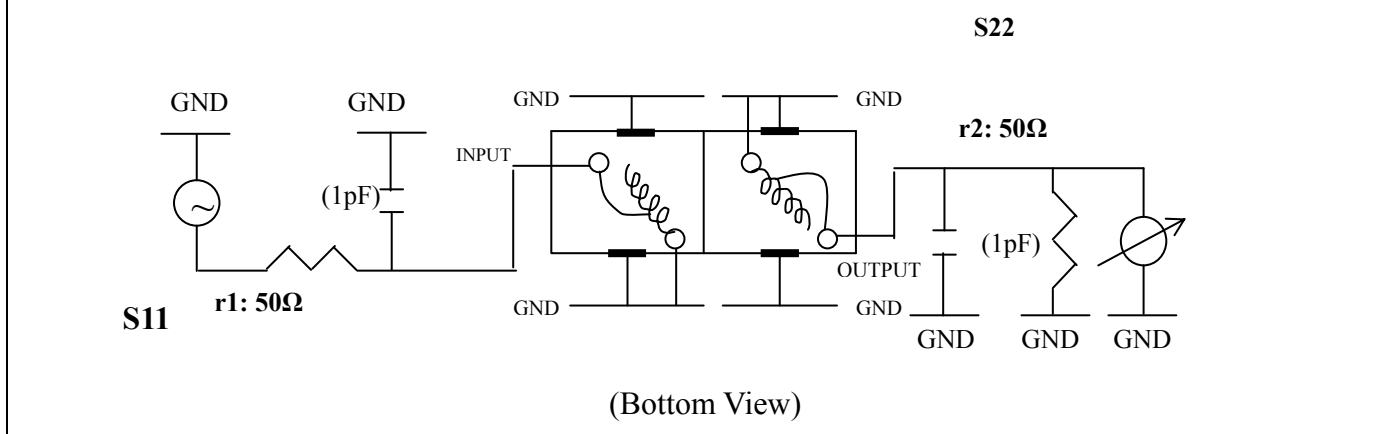
(5) Temperature Condition:

Operating Temperature	-30°C ~ +70°C
-----------------------	---------------

Storage Temperature	-30°C ~ +80°C
---------------------	---------------

(6) Input Power > 1 Watt

(7) Measuring Circuit: ※Easy to match Impedance 50Ω by parallel with about (1) pF.



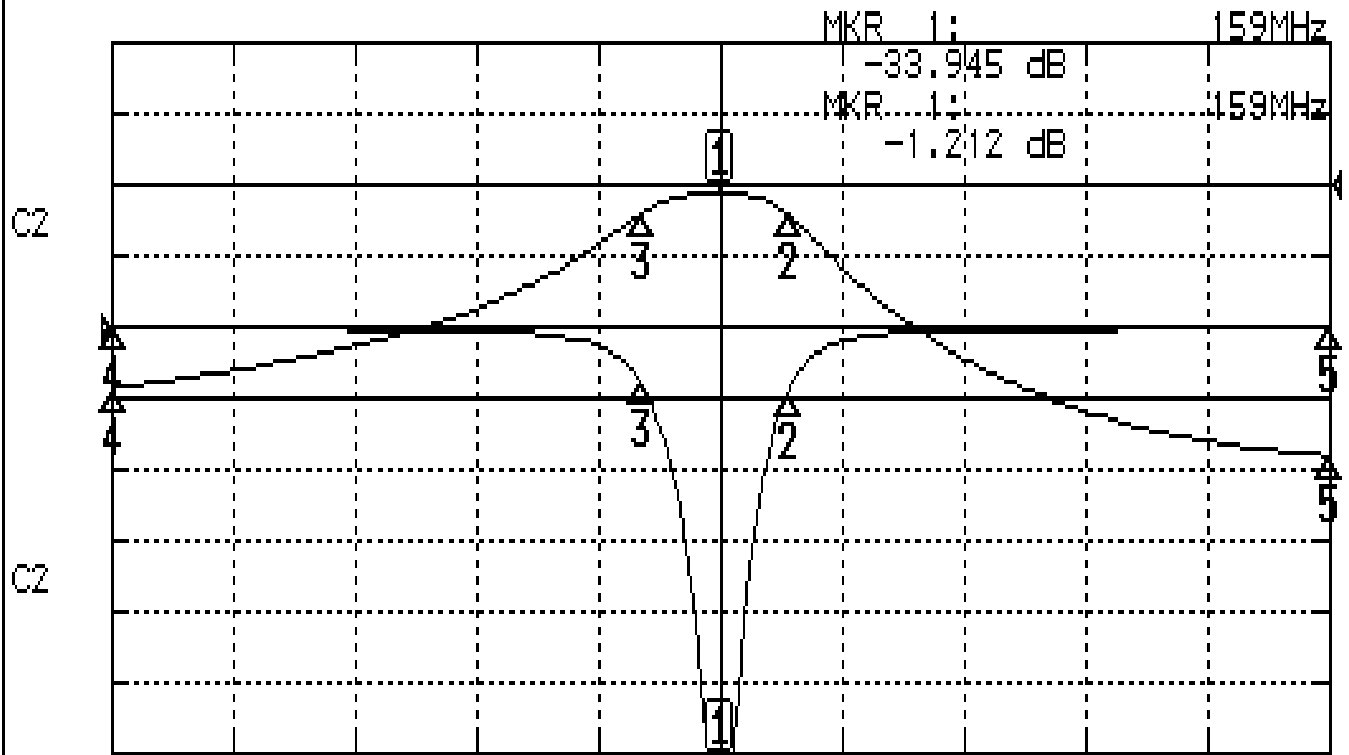
Approval	Supervisor	Designer	Aperture size
C.Y.Chang	C.S.Chang	P.H.Chang	7H2S(4*7.5)F 7H024LB4

TEMWELL CORPORATION

Performance-TD67281E1-159M

0806135CD

CH1 S11 LOG MAG REF 0.000 dB 5.000 dB/
CH2 S21 LOG MAG REF 0.000 dB 10.000 dB/



CENTER 159MHz

[10.00 dBm]

SPAN 100MHz

CH1 MARKER LIST

1:	159.000MHz	-33.945 dB
2:	164.583MHz	-14.517 dB
3:	152.500MHz	-3.865 dB
4:	109.000MHz	-0.105 dB
5:	209.000MHz	-0.123 dB

CH2 MARKER LIST

1:	159.000MHz	-1.212 dB
2:	164.583MHz	-4.193 dB
3:	152.500MHz	-4.108 dB
4:	109.000MHz	-28.638 dB
5:	209.000MHz	-38.010 dB