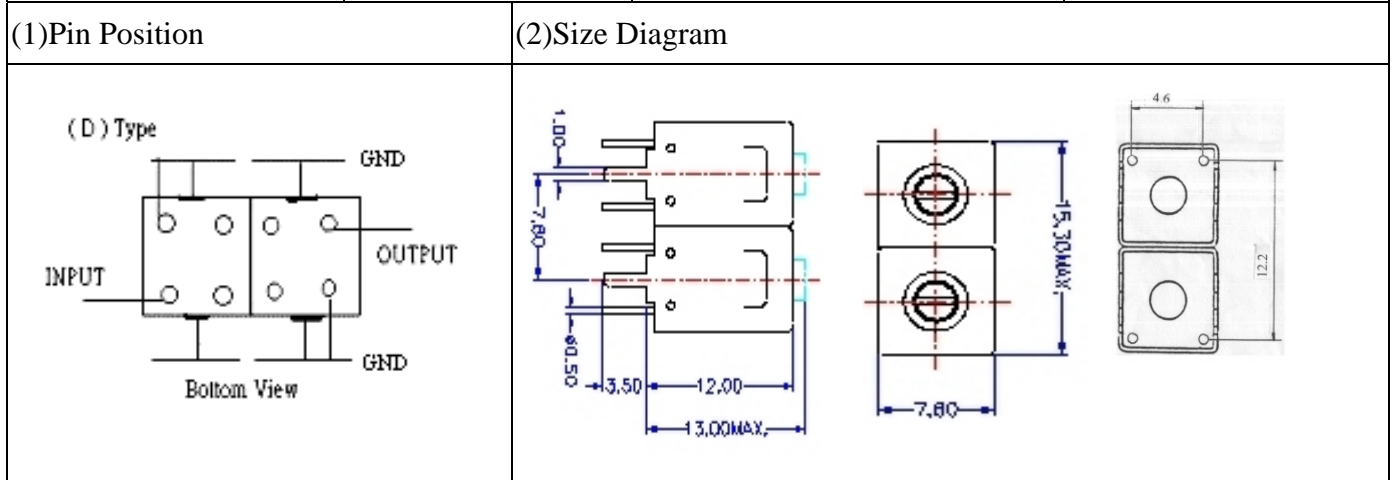


# VHF UHF Helical Filter Specification Sheet

Customer Name		Temwell's Part No.	TD67286D-382.5M
Approval No. /dated	20203012B	Acceptable Specify Fo. Range	356~400MHz
Work Instruction No.	20203012B	Date	Mar.06.2002



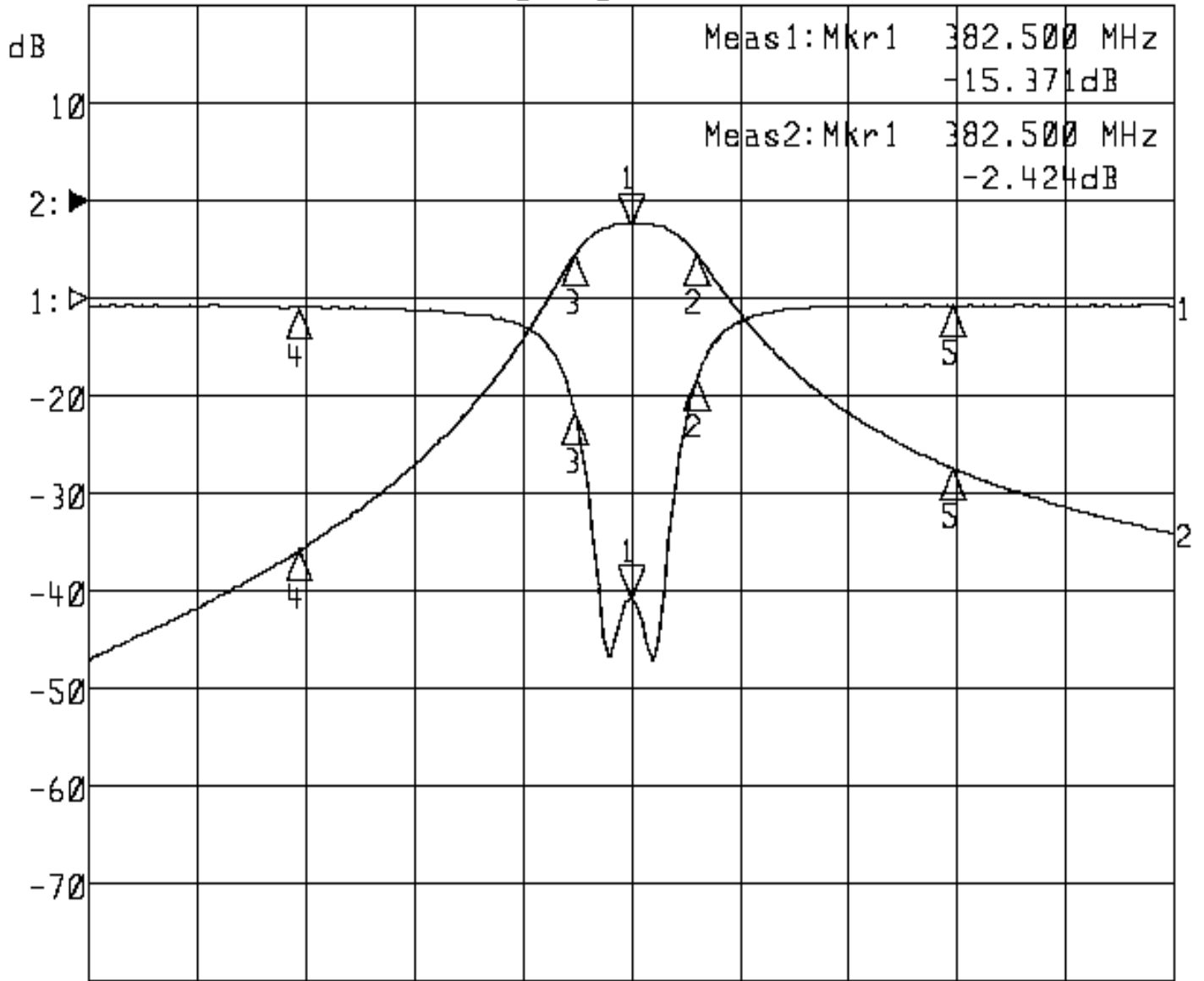
(3)Electric Character			
Item		Specify	Performance
Center Freq.(Fo ) +/- 0.5 %		382.5 MHz	382.5 MHz
Tunable Range		382.5±4 MHz	382.5±4 MHz
Insertion Loss		Typ. 3.5 Db	2.42 dB
-3 dB Bandwidth		Typ. 7 MHz	11.2 MHz
Sensitivity (Attenuation)	Fo - 30 MHz	Typ. 26 dBc	33 dBc
	Fo + 30 MHz	Typ. 20 dBc	24 dBc
	Fo - ( )MHz	Typ. dBc	dBc
	Fo +( )MHz	Typ. dBc	dBc
Return Loss		Min. 12 dB	15.3 dB
Ripple		< 1 dB	dB
Impedance		In / Out : 50 Ω	In / Out : 50 Ω
(4)Torque for Tuning Screw		>100gf · cm	
(5)Temperature Condition:			
Operating Temperature		0°C ~ +60°C	
Storage Temperature		-20°C ~ +70°C	
(6)Input Power		> 1Watt	
Approval	Supervisor	Designer	Aperture size
C.Y. Chang	C.S. Chang	C.S. Chang	7H2S(4×5.5)F 7H046LB4

TEMWELL CORPORATION

# Performance-TD67286D-382.5M

## 20203012B

▶1:S11 Refl Port1 Log Mag 5.0 dB/ Ref 0.00 dB C  
▶2:S21 Fwd Trans Log Mag 10.0 dB/ Ref 0.00 dB C



Center 382.500 MHz

Span 100.000 MHz

1: Mkr (MHz)	dB	2: Mkr (MHz)	dB
1> 382.5000	-15.371	1> 382.5000	-2.424
2: 388.5000	-4.159	2: 388.5000	-5.433
3: 377.3667	-5.848	3: 377.3667	-5.423
4: 352.0000	-0.446	4: 352.0000	-35.797
5: 412.0000	-0.395	5: 412.0000	-27.379