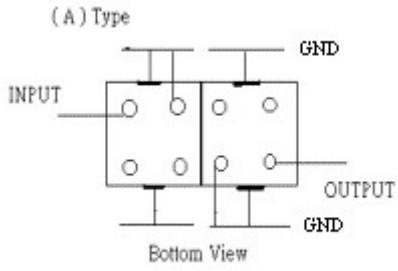
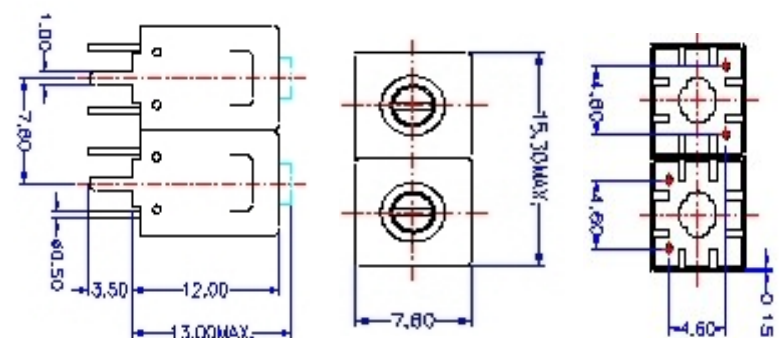


# VHF UHF Helical Filter Specification Sheet

Customer Name		Temwell's Part No.	TD67301A-90M
Approval No. /dated	20011019B	Acceptable Specify FoRange	86~95MHz
Work Instruction No.	20011019B	Date	Nov.14.2001

<p>(1) Pin Position</p>  <p style="text-align: center;">(A) Type Bottom View</p>	<p>(2) Size Diagram</p> 
---	--

(3) Electric Characteristic

Item	Specify	Performance
Center Freq.(Fo) +/- 0.5 %	90 MHz	90 MHz
Tunable Range	90±2 MHz	90±2 MHz
Insertion Loss	Typ. 3.0 dB	2.07 dB
-3 dB Bandwidth	Typ. 8 MHz	9 MHz
Sensitivity (Attenuation)	Fo - 30 MHz	Typ. 24 dBc
	Fo + 30 MHz	Typ. 27 dBc
	Fo - ( )MHz	Typ. dBc
	Fo + ( )MHz	Typ. dBc
Return Loss	Min. 12 dB	13.6 dB
Ripple	< 1 dB	dB
Impedance	In / Out : 50 Ω	In / Out : 50 Ω

(4) Torque for Tuning Screw > 100gf • cm

(5) Temperature Condition:

Operating Temperature	-0°C ~ +60°C
Storage Temperature	20°C ~ +70°C

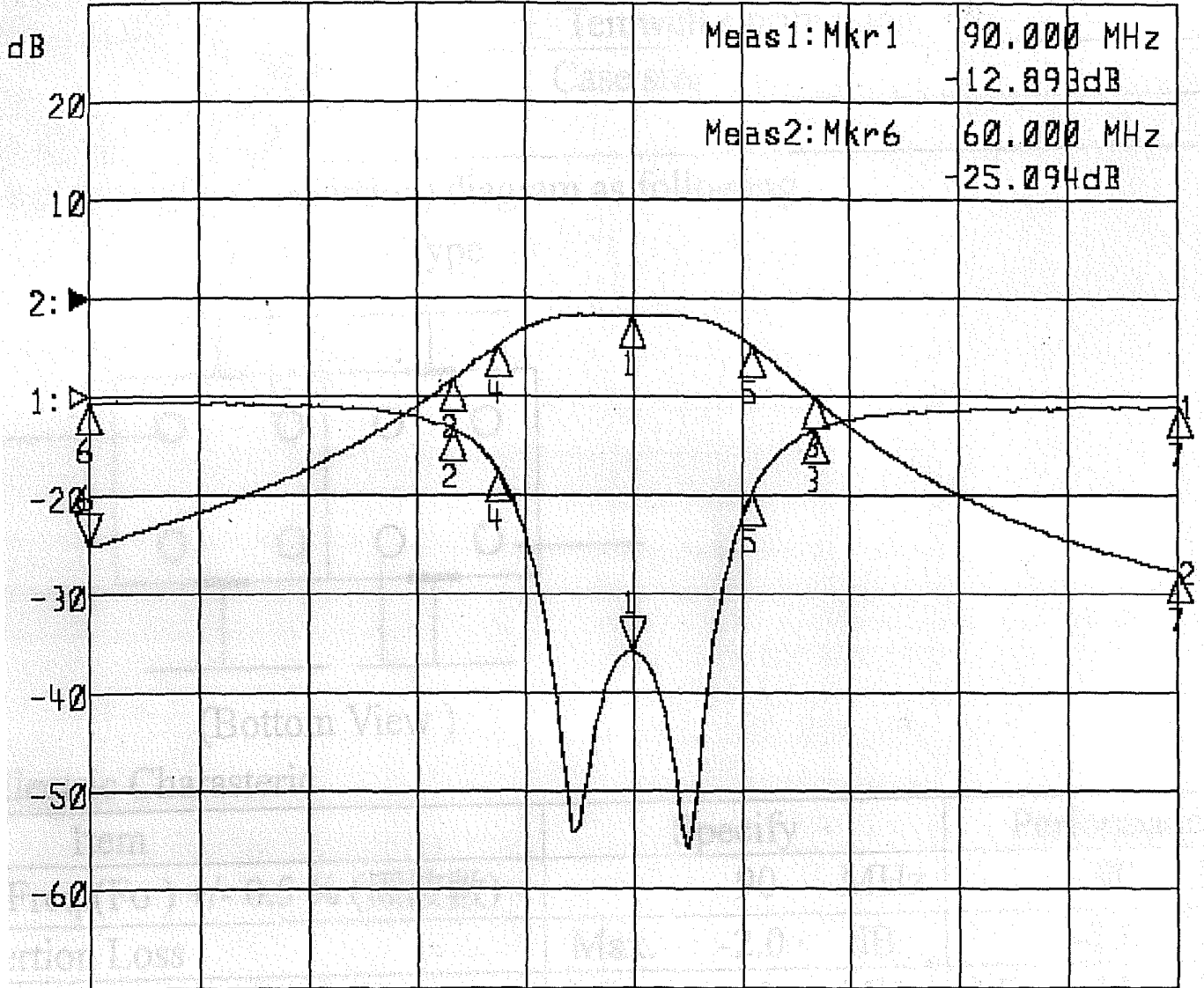
(6) Input Power > 1Watt

Approval C.Y.Chang	Supervisor C.S.Chang	Designer C.S.Chang	Aperture size 7H2S(4*5.5) 7H00LB4
-----------------------	-------------------------	-----------------------	---

# Performance- TD67301A-90M

## 20011019B

▶1: S11 Refl Port1 Log Mag 5.0 dB/ Ref 0.00 dB C  
 ▶2: S21 Fwd Trans Log Mag 10.0 dB/ Ref 0.00 dB C



Center 90.000 MHz

Span 60.000 MHz

1: Mkr (MHz)	dB	2: Mkr (MHz)	dB
1> 90.0000	-12.893	1: 90.0000	-1.774
2: 80.0000	-1.636	2: 80.0000	-8.327
3: 100.0000	-1.698	3: 100.0000	-10.121
4: 82.5600	-3.754	4: 82.5600	-4.794
5: 96.6000	-4.818	5: 96.6000	-4.725
6: 60.0000	-0.258	6> 60.0000	-25.094
7: 120.0000	-0.492	7: 120.0000	-27.677