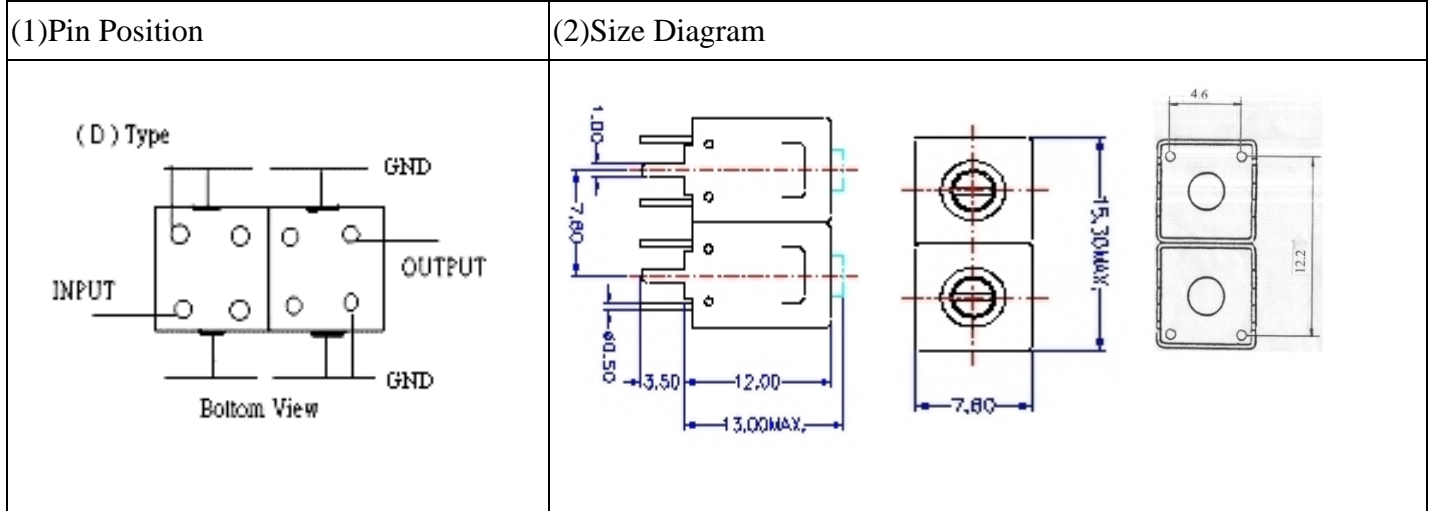


# VHF UHF Helical Filter Specification Sheet

Customer Name		Temwell's Part No.	TD6731D-169M
Approval No. /dated	9909003B	Acceptable Specify Fo. Range	166~195M
Work Instruction No.	9909003B	Date	88.09.03



(3) Electric Character			
Item	Specify	Performance	
Center Freq.(Fo) +/- 0.75 %	169 MHz	169 MHz	
Tunable Range	169±2 MHz	169±2 MHz	
Insertion Loss	Typ. 3.0 dB	1.76 dB	
-3 dB Bandwidth	Typ. 7 MHz	9 MHz	
Sensitivity (Attenuation)	Fo - 20 MHz	Typ. 20 dBc	22 dBc
	Fo + 20 MHz	Typ. 21 dBc	26 dBc
	Fo - ( )MHz	Typ. dBc	dBc
	Fo + ( )MHz	Typ. dBc	dBc
Return Loss	Min. 12 dB	29 dB	
Ripple	< 1 dB	dB	
Impedance	In / Out : 50 Ω	In / Out : 50 Ω	
(4) Torque for Tuning Screw		> 100gf · cm	
(5) Temperature Condition:			
Operating Temperature		-30°C ~ +70°C	
Storage Temperature		-30°C ~ +80°C	
(6) Input Power		> 1Watt	
Approval	Supervisor	Designer	Aperture size
C.Y.Chang	C.S.Chang	C.S.Chang	7H2S(4*6.5) 7H024RB4

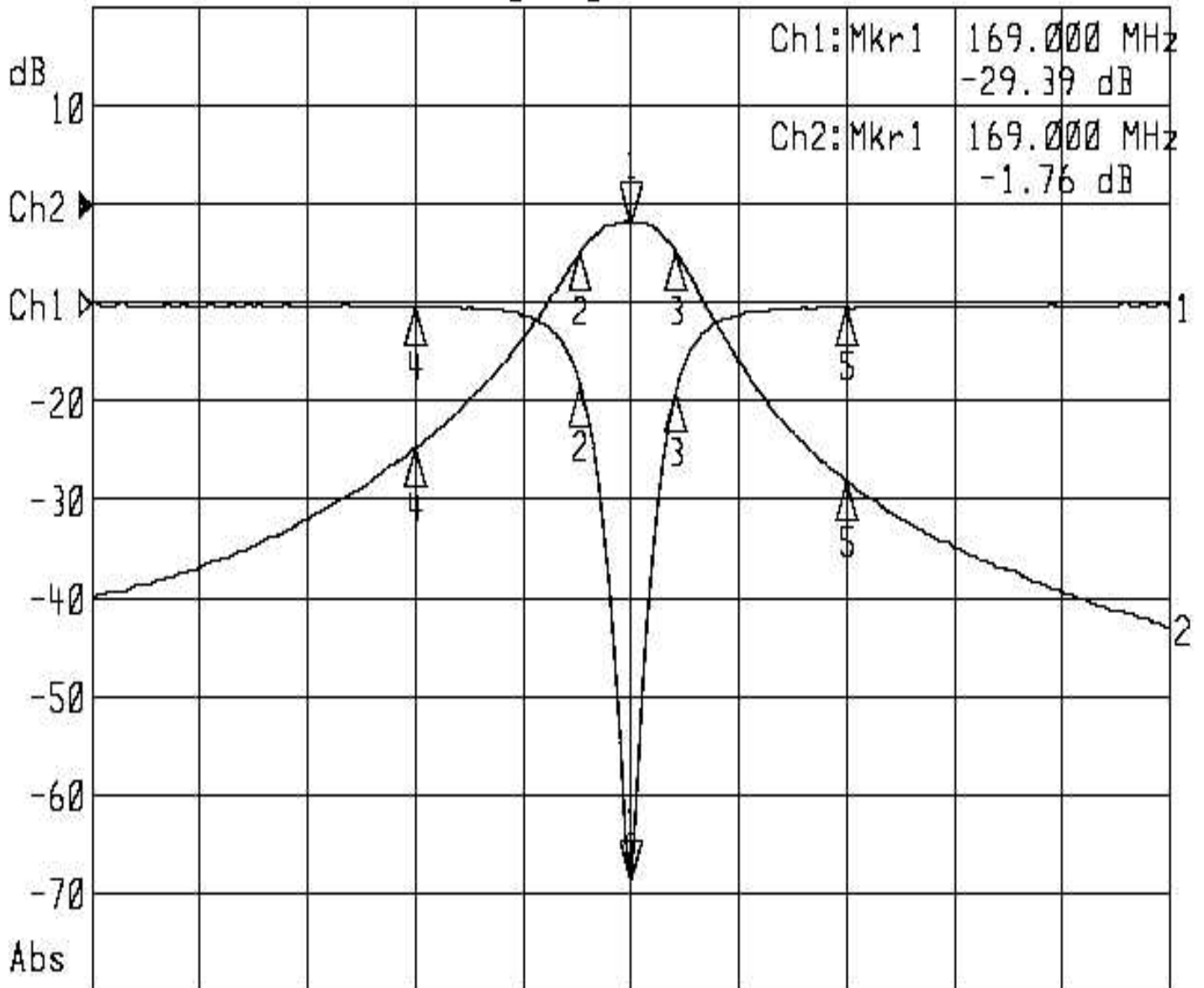
TEMWELL CORPORATION

# Performance-TD6731D-169M

## 9909003B

▶1: Reflection      Log Mag    5.0 dB/    Ref    0.00 dB    C

▶2: Transmission    Log Mag    10.0 dB/    Ref    0.00 dB    C



Center 169.000 MHz

Span 100.000 MHz

1: Mkr (MHz)	dB	2: Mkr (MHz)	dB
1> 169.00	-29.39	1> 169.00	-1.76
2: 164.34	-4.16	2: 164.34	-4.69
3: 173.16	-4.47	3: 173.16	-4.73
4: 149.00	-0.17	4: 149.00	-24.61
5: 189.00	-0.21	5: 189.00	-28.09