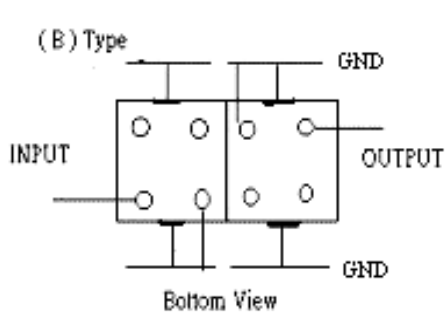
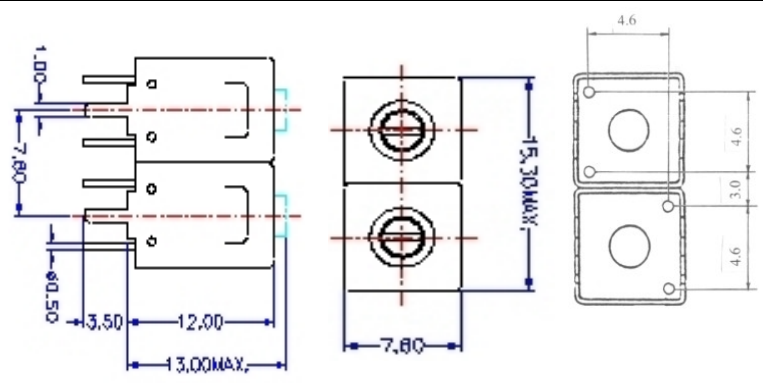


VHF UHF Helical Filter Specification Sheet

Customer Name		Temwell's Part No.	TD67337B-300M
Approval No. /dated	2006035D	Acceptable Specify Fo. Range	276~310MHz
Work Instruction No.	2006035D	Date	Jun.28.2000

(1)Pin Position	(2)Size Diagram
 <p style="text-align: center;">Bottom View</p>	

(3)Electric Character

Item	Specify	Performance	
Center Freq.(Fo) +/- 0.75 %	300 MHz	300 MHz	
Tunable Range	300±4 MHz	300±4 MHz	
Insertion Loss	Typ. 2.0 dB	0.93 dB	
-3 dB Bandwidth	Typ. 18 MHz	21 MHz	
Sensitivity (Attenuation)	Fo - 50 MHz	Typ. 21 dBc	24 dBc
	Fo + 50 MHz	Typ. 25 dBc	28 dBc
	Fo - ()MHz	Typ. dBc	dBc
	Fo +()MHz	Typ. dBc	dBc
Return Loss	Min. 12 dB	37.2 dB	
Ripple	< 1 dB	1 dB	
Impedance	In / Out : 50 Ω	In / Out : 50 Ω	

(4)Torque for Tuning Screw > 100gf • cm

(5)Temperature Condition:

Operating Temperature	-30°C ~ +70°C
Storage Temperature	-30°C ~ +80°C

(6)Input Power > 1Watt

Approval	Supervisor	Designer	Aperture size
C.Y.Chang	C.S.Chang	C.S.Chang	7H2S,4*7.5 7H046LB4

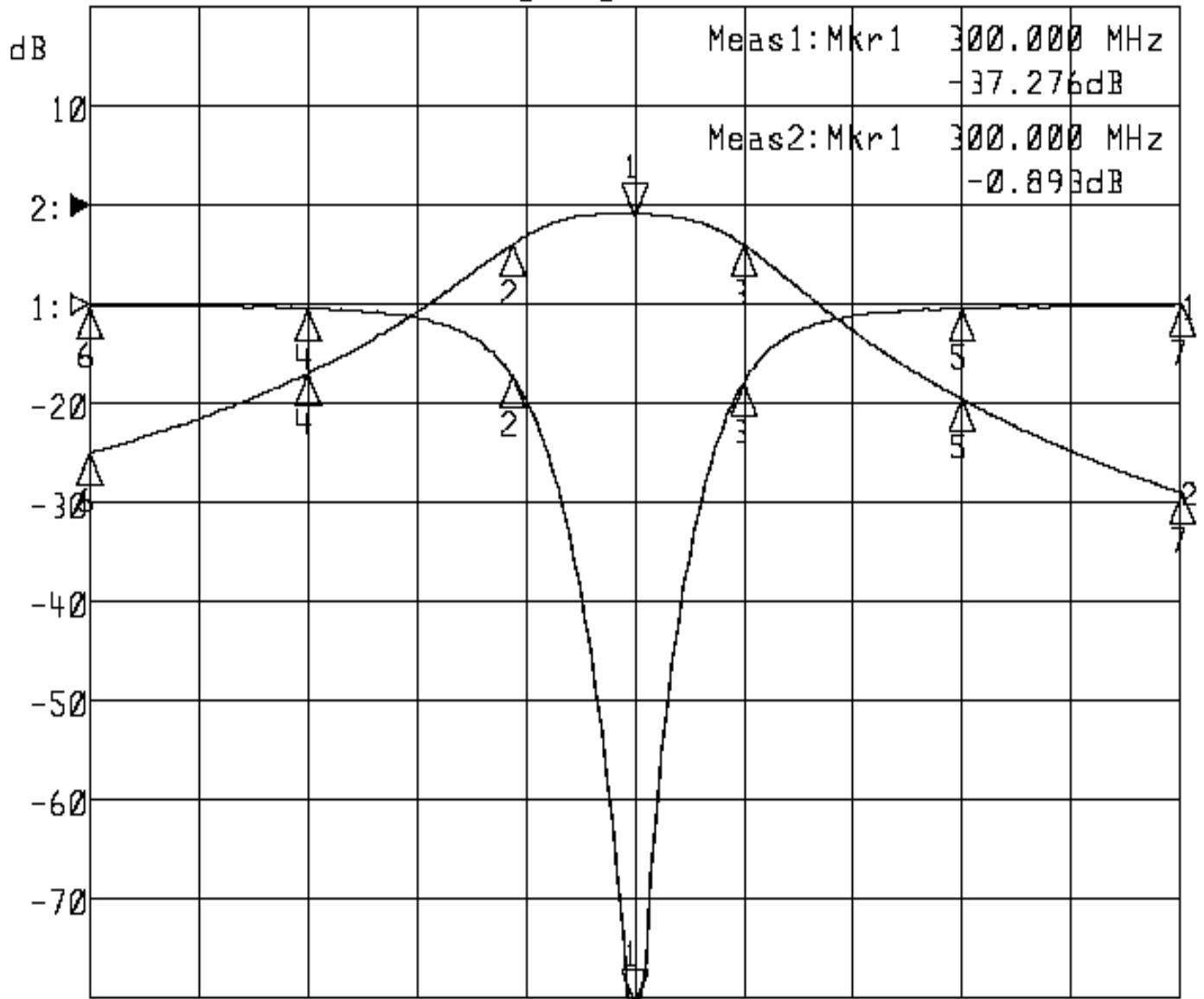
TEMWELL CORPORATION

Performance-TD67337B-300M

2006035D

▶1:S11 Refl Port1 Log Mag 5.0 dB/ Ref 0.00 dB C

▶2:S21 Fwd Trans Log Mag 10.0 dB/ Ref 0.00 dB C



Center 300.000 MHz

Span 100.000 MHz

1: Mkr (MHz)	dB	2: Mkr (MHz)	dB
1> 300.0000	-37.276	1> 300.0000	-0.893
2: 288.8333	-3.650	2: 288.8333	-3.936
3: 309.9000	-4.037	3: 309.9000	-3.911
4: 270.0000	-0.228	4: 270.0000	-17.032
5: 330.0000	-0.231	5: 330.0000	-19.572
6: 250.0000	-0.081	6: 250.0000	-25.079
7: 350.0000	-0.038	7: 350.0000	-28.942