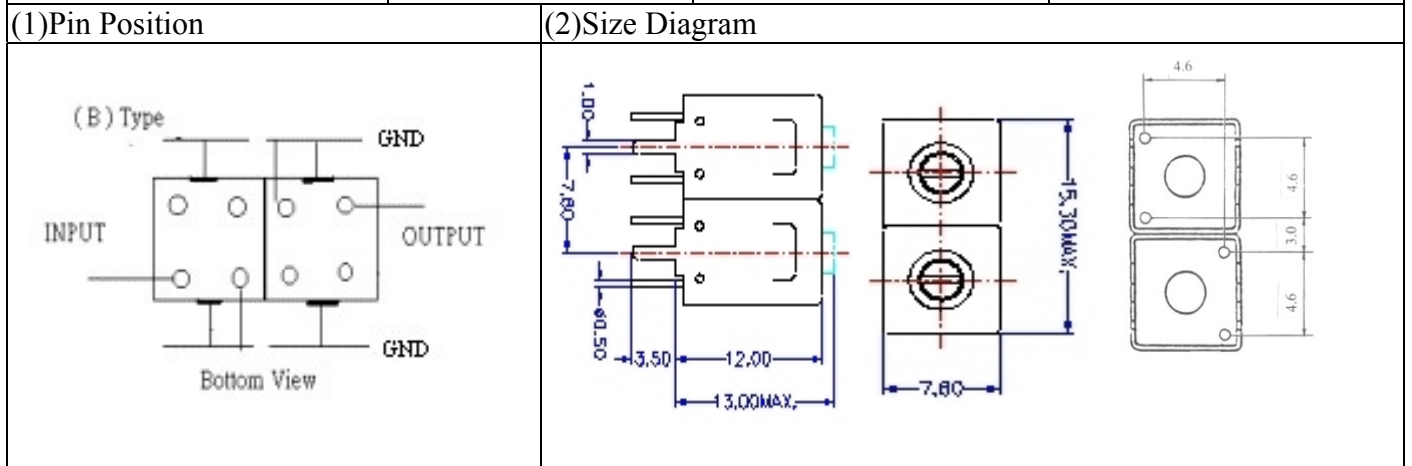


VHF UHF Helical Filter Specification Sheet

Customer Name		Temwell's Part No.	TD67370B-77M
Approval No. /dated	2008127APR	Temwell's Print Name	76~85M
Work Instruction No.	2008127DC	Date	Jul.28.2006



(3) Electric Character

Item	Specify	Performance	
Center Freq.(Fo) +/- 0.5 %	77 MHz	77 MHz	
Tunable Range	77±2 MHz	77±2 MHz	
Insertion Loss	Typ. 2.5 dB	1.30 dB	
-3 dB Bandwidth	Typ. 14 MHz	15.3 MHz	
Sensitivity (Attenuation)	Fo - 50 MHz	Typ. 24 dBc	26 dBc
	Fo + 50 MHz	Typ. 23 dBc	26 dBc
	Fo - ()MHz	Typ. dBc	dBc
	Fo + ()MHz	Typ. dBc	dBc
Return Loss	Min. 12 dB	20.8 dB	
Ripple	< 1 dB	dB	
Impedance	In / Out : 50 Ω	In / Out : 50 Ω	

(4) Torque for Tuning Screw > 100gf · cm

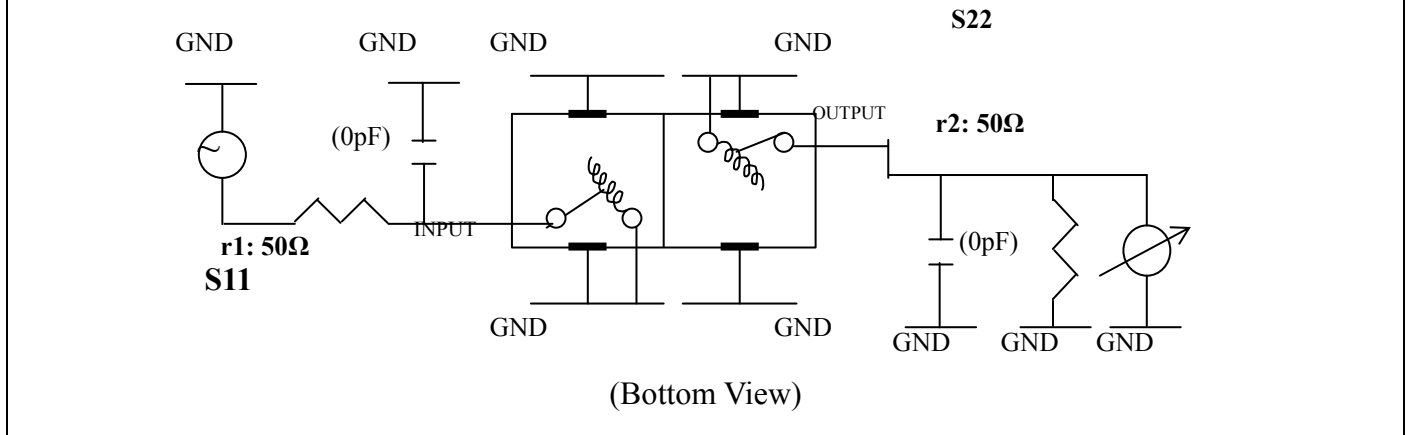
(5) Temperature Condition:

Operating Temperature	0°C ~ +60°C
-----------------------	-------------

Storage Temperature	-20°C ~ +70°C
---------------------	---------------

(6) Input Power	> 1Watt
-----------------	---------

(7) Measuring Circuit: ※Easy to match Impedance 50Ω by parallel with about (0) pF.

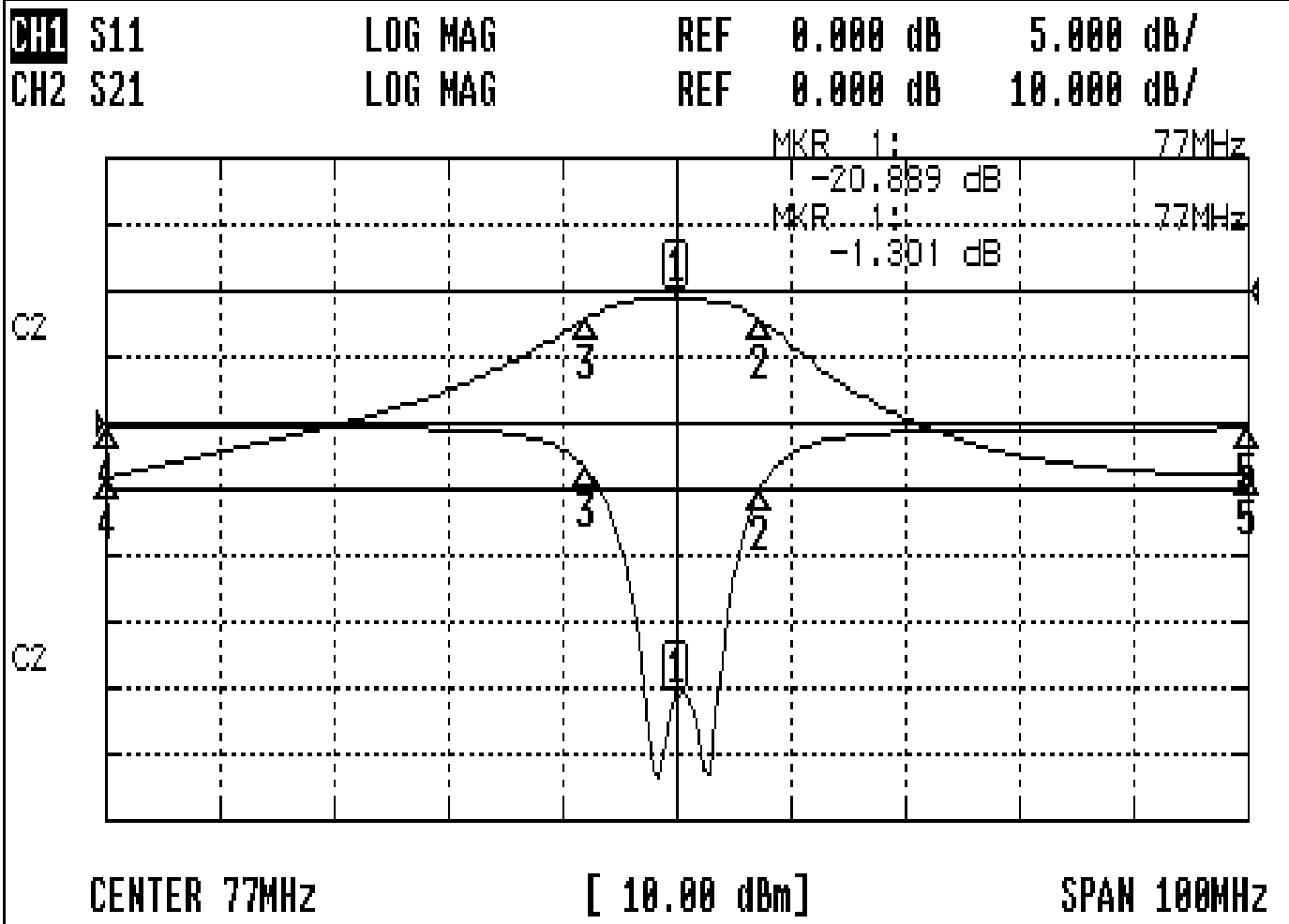


Approval	Supervisor	Designer	Aperture size
C.Y.Chang	C.S.Chang	W.W.Wang	7H2(4*7.5)F 7H00LB4

TEMWELL CORPORATION

Performance-TD67370B-77M

2008127DC



CH1 MARKER LIST

1:	77.000MHz	-20.889	dB
2:	84.333MHz	-5.108	dB
3:	69.000MHz	-3.344	dB
4:	27.000MHz	-0.220	dB
5:	127.000MHz	-0.426	dB

CH2 MARKER LIST

1:	77.000MHz	-1.301	dB
2:	84.333MHz	-4.297	dB
3:	69.000MHz	-4.308	dB
4:	27.000MHz	-28.150	dB
5:	127.000MHz	-27.842	dB