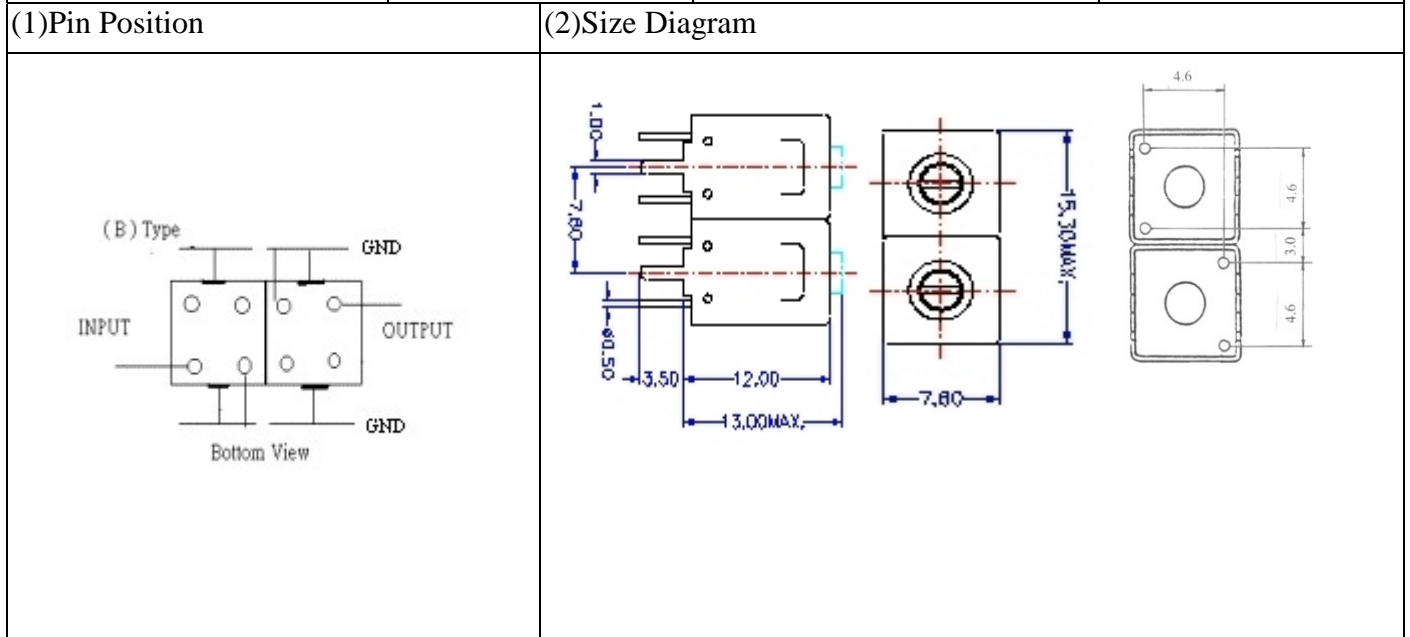


VHF UHF Helical Filter Specification Sheet

Customer Name		Temwell's Part No.	TD67382B-142M
Approval No. /dated	2008139DC	Acceptable Specify Range	126~145MHz
Work Instruction No.	2008139DC	Date	Aug.30.2000



(3)Electric Charasteric

Item	Specify	Performance	
Center Freq.(Fo) +/- 0.5 %	142 MHz	142 MHz	
Tunable Range	142±2 MHz	142±2 MHz	
Insertion Loss	Typ. 3.0 dB	2.19 dB	
-3 dB Bandwidth	Typ. 12 MHz	13 MHz	
Sensitivity (Attenuation)	Fo - 50 MHz	Typ. 26 dBc	29 dBc
	Fo + 50 MHz	Typ. 32 dBc	35 dBc
	Fo - ()MHz	Typ. dBc	dBc
	Fo +()MHz	Typ. dBc	dBc
Return Loss	Min. 12 dB	18.3 dB	
Ripple	< 1 dB	dB	
Impedance	In / Out : 50 Ω	In / Out : 50 Ω	

(4)Torque for Tuning Screw > 100gf • cm

(5)Temperature Condition:

Operating Temperature	-0°C ~ +60°C
Storage Temperature	-20°C ~ +70°C

(6)Input Power > 1Watt

Approval	Supervisor	Designer	Aperture size
C.Y.Chang	C.S.Chang	C.S.Chang	7H2S(4*6.5) 7H00LB6

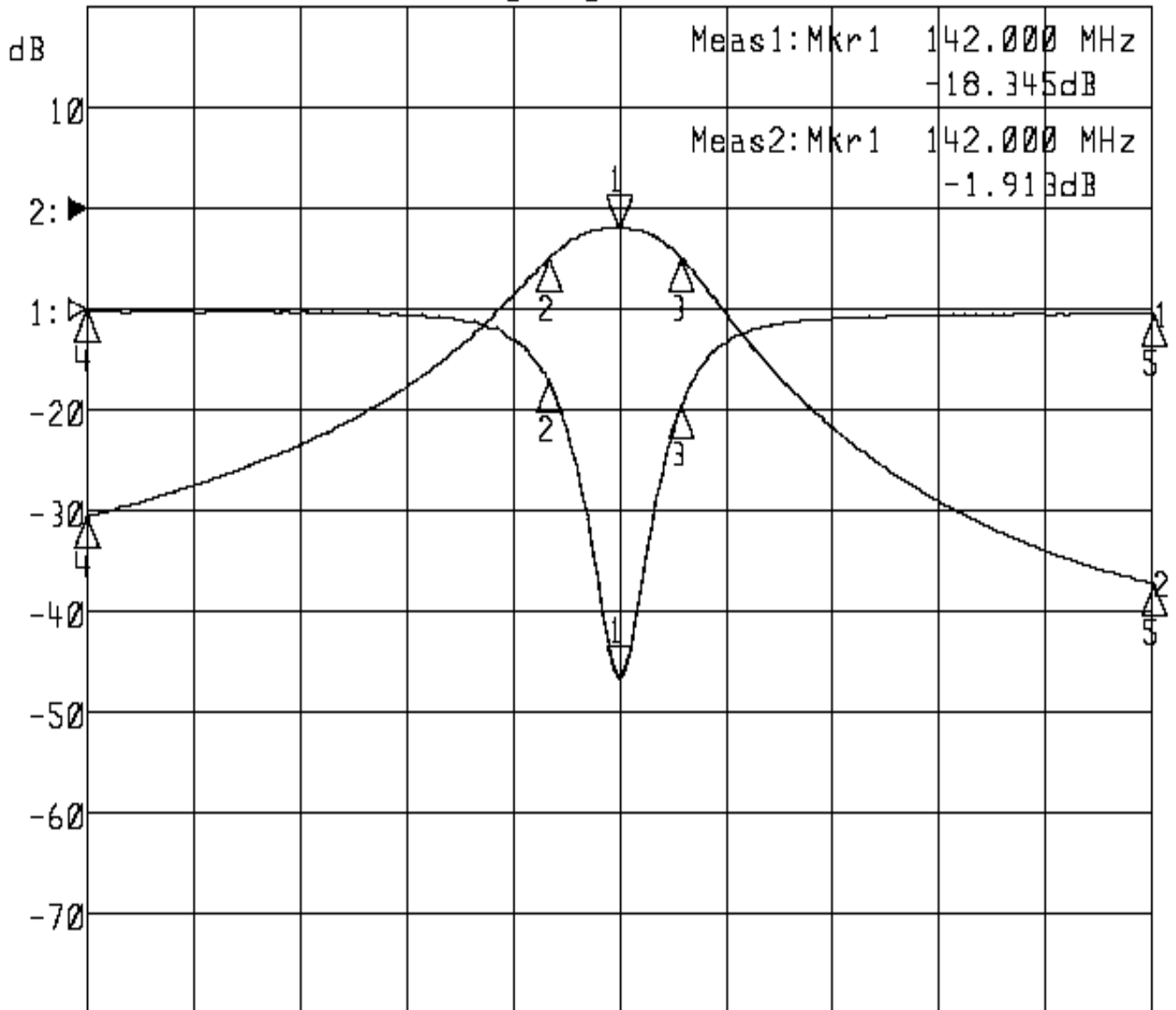
TEMWELL CORPORATION

Performance- TD67382B-142M

2008139DC

▶1:S11 Refl Port1 Log Mag 5.0 dB/ Ref 0.00 dB C

▶2:S21 Fwd Trans Log Mag 10.0 dB/ Ref 0.00 dB C



Center 142.000 MHz

Span 100.000 MHz

1: Mkr (MHz)	dB	2: Mkr (MHz)	dB
1> 142.0000	-18.345	1> 142.0000	-1.913
2: 135.3667	-3.540	2: 135.3667	-4.925
3: 147.8667	-4.754	3: 147.8667	-4.919
4: 92.0000	-0.061	4: 92.0000	-30.564
5: 192.0000	-0.233	5: 192.0000	-37.167