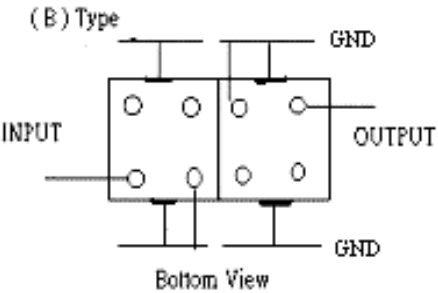
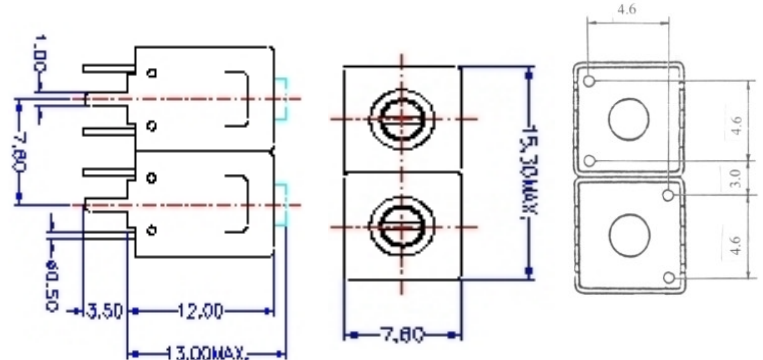


# VHF UHF Helical Filter Specification Sheet

|                      |           |                              |               |
|----------------------|-----------|------------------------------|---------------|
| Customer Name        |           | Temwell's Part No.           | TD67392B-166M |
| Approval No. /dated  | 2008149DC | Acceptable Specify Fo. Range | 166~195MHz    |
| Work Instruction No. | 2008149DC | Date                         | Sep.11.2000   |

|  |  |
|--|--|
| (1)Pin Position  | (2)Size Diagram  |
|  <p style="text-align: center;">Bottom View</p> |  |

### (3)Electric Character

| Item                         | Specify         | Performance     |        |
|------------------------------|-----------------|-----------------|--------|
| Center Freq.(Fo ) +/- 0.5 %  | 166 MHz         | 166 MHz         |        |
| Tunable Range                | 166±2 MHz       | 166±2 MHz       |        |
| Insertion Loss               | Typ. 3.5 Db     | 2.2 dB          |        |
| -3 dB Bandwidth              | Typ. 14 MHz     | 16 MHz          |        |
| Sensitivity<br>(Attenuation) | Fo - 50 MHz     | Typ. 26 dBc     | 29 dBc |
|                              | Fo + 50 MHz     | Typ. 33 dBc     | 36 dBc |
|                              | Fo - ( )MHz     | Typ. dBc        | dBc    |
|                              | Fo +( )MHz      | Typ. dBc        | dBc    |
| Return Loss                  | Min. 12 dB      | 13.9 dB         |        |
| Ripple                       | < 1 dB          | 1 dB            |        |
| Impedance                    | In / Out : 50 Ω | In / Out : 50 Ω |        |

### (4)Torque for Tuning Screw

> 100gf • cm

### (5)Temperature Condition:

|                       |               |
|-----------------------|---------------|
| Operating Temperature | 0°C ~ +60°C   |
| Storage Temperature   | -20°C ~ +70°C |

### (6)Input Power

> 1Watt

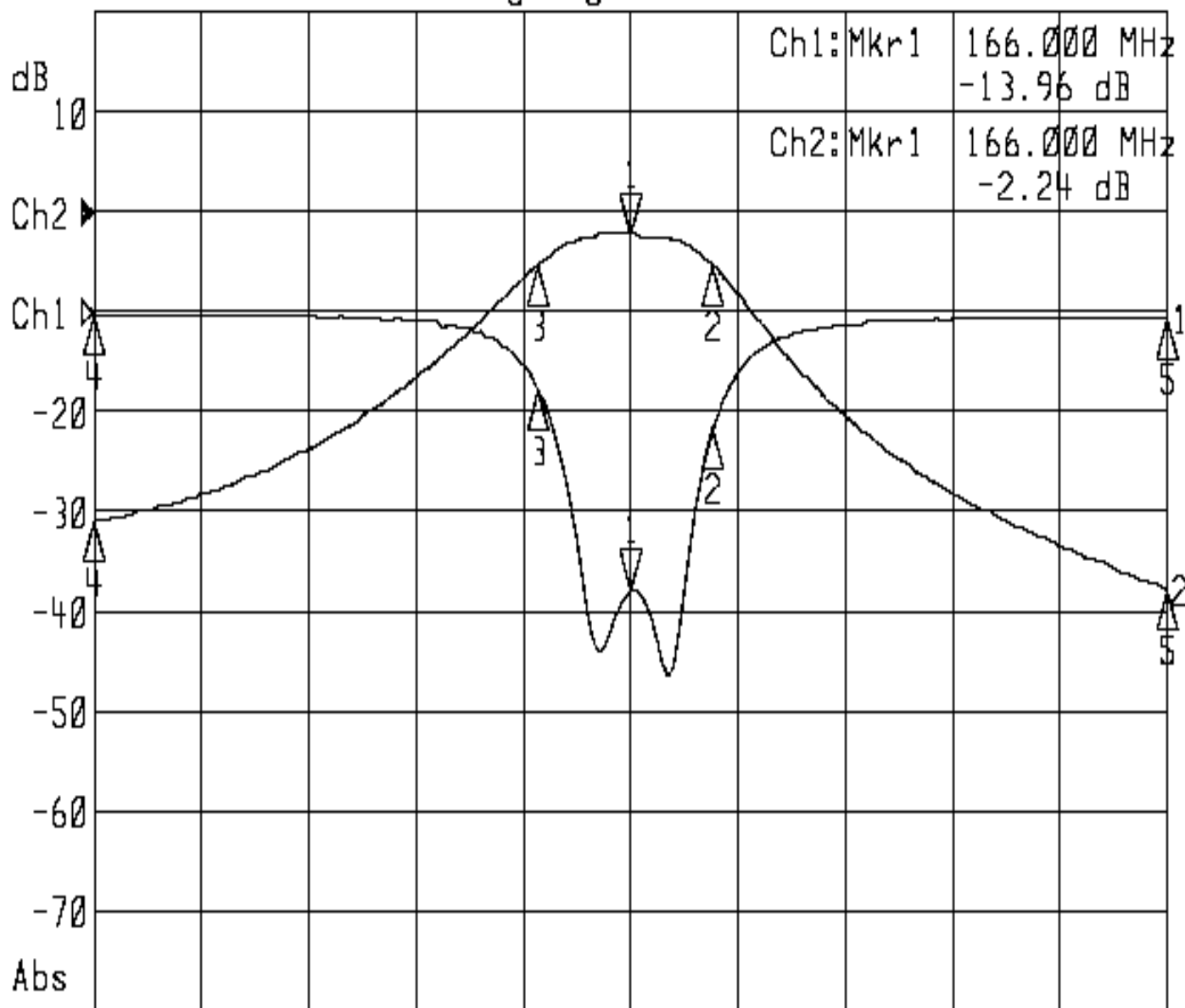
|           |            |           |                       |
|-----------|------------|-----------|-----------------------|
| Approval  | Supervisor | Designer  | Aperture size         |
| C.Y.Chang | C.S.Chang  | C.S.Chang | 7H2S,4*4.5<br>7H00LB6 |

TEMWELL CORPORATION

# Performance-TD67392B-166M

2008149DC

▶1: Reflection Log Mag 5.0 dB/ Ref 0.00 dB C  
▶2: Transmission Log Mag 10.0 dB/ Ref 0.00 dB C



Center 166.000 MHz

Span 100.000 MHz

| 1: Mkr (MHz) | dB     | 2: Mkr (MHz) | dB     |
|--------------|--------|--------------|--------|
| 1> 166.00    | -13.96 | 1> 166.00    | -2.24  |
| 2: 173.72    | -5.76  | 2: 173.72    | -5.31  |
| 3: 157.41    | -3.93  | 3: 157.41    | -5.23  |
| 4: 116.00    | -0.17  | 4: 116.00    | -31.08 |
| 5: 216.00    | -0.24  | 5: 216.00    | -37.80 |