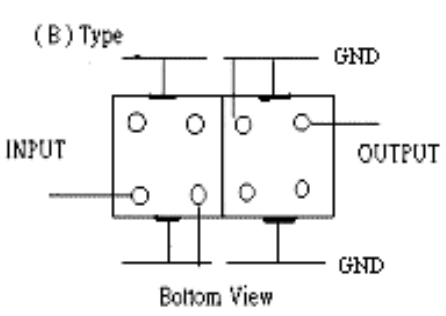
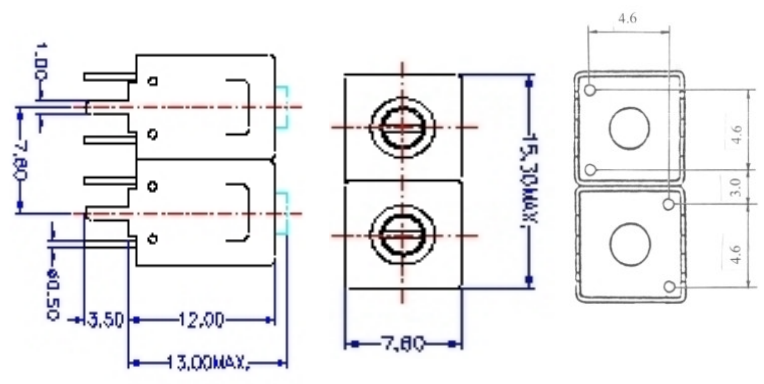


VHF UHF Helical Filter Specification Sheet

Customer Name		Temwell's Part No.	TD67394B-168M
Approval No. /dated	2008151DC	Acceptable Specify Fo. Range	166~195MHz
Work Instruction No.	2008151DC	Date	Sep.11.2000

<p>(1)Pin Position</p>  <p style="text-align: center;">Bottom View</p>	<p>(2)Size Diagram</p> 
---	---

(3)Electric Character

Item	Specify	Performance
Center Freq.(Fo) +/- 0.5 %	168 MHz	168 MHz
Tunable Range	168±2 MHz	168±2 MHz
Insertion Loss	Typ. 3.5 dB	2.20 dB
-3 dB Bandwidth	Typ. 12 MHz	14 MHz
Sensitivity (Attenuation)	Fo - 50 MHz	Typ. 27 dBc
	Fo + 50 MHz	Typ. 40 dBc
	Fo - ()MHz	Typ. dBc
	Fo +()MHz	Typ. dBc
Return Loss	Min. 12 dB	12.3 dB
Ripple	< 1 dB	1 dB
Impedance	In / Out : 50 Ω	In / Out : 50 Ω
(4)Torque for Tuning Screw	> 100gf · cm	

(5)Temperature Condition:

Operating Temperature	0°C ~ +60°C
Storage Temperature	-20°C ~ +70°C
(6)Input Power	> 1Watt

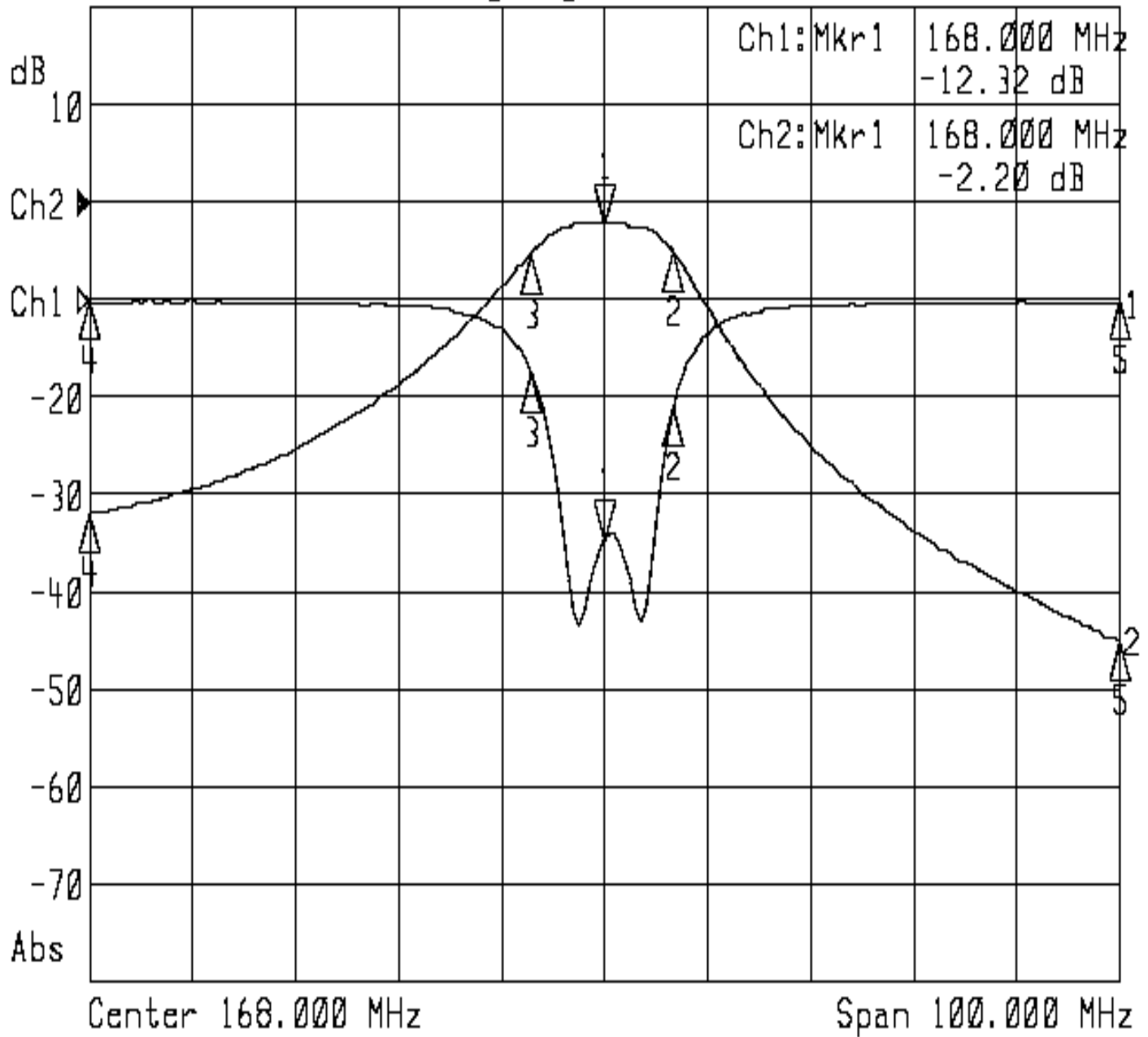
Approval	Supervisor	Designer	Aperture size
C.Y.Chang	C.S.Chang	C.S.Chang	7H2S,4*4.5 7H00LB6

TEMWELL CORPORATION

Performance-TD67394B-168M

2008151DC

▶1: Reflection Log Mag 5.0 dB/ Ref 0.00 dB C
 ▶2: Transmission Log Mag 10.0 dB/ Ref 0.00 dB C



1: Mkr (MHz)	dB	2: Mkr (MHz)	dB
1> 168.00	-12.32	1> 168.00	-2.20
2: 174.72	-5.41	2: 174.72	-5.14
3: 160.88	-3.72	3: 160.88	-5.16
4: 118.00	-0.08	4: 118.00	-32.02
5: 218.00	-0.04	5: 218.00	-45.03