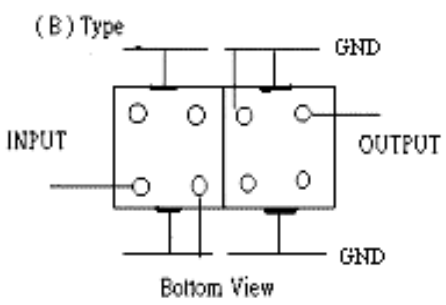
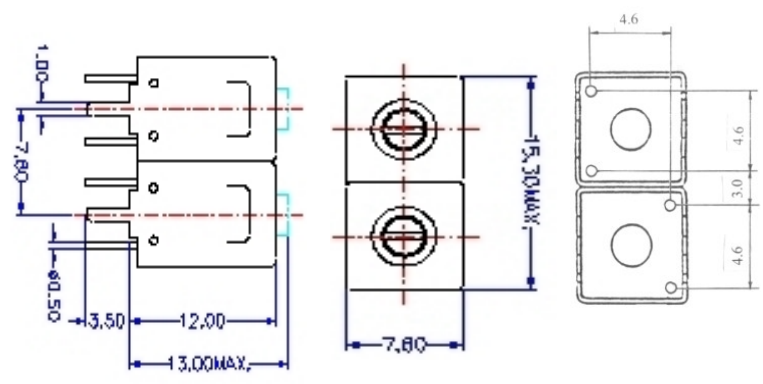


# VHF UHF Helical Filter Specification Sheet

Customer Name		Temwell's Part No.	TD67398B-156M
Approval No. /dated	2008155DC	Acceptable Specify Fo. Range	146~165MHz
Work Instruction No.	2008155DC	Date	Sep.02.2000

(1)Pin Position	(2)Size Diagram
 <p style="text-align: center;">(B) Type INPUT      OUTPUT GND      GND Bottom View</p>	 <p style="text-align: center;">1.00 7.80 0.50 3.50    12.00    13.00MAX. 7.80 15.30MAX. 4.6 3.0 4.6</p>

### (3)Electric Character

Item	Specify	Performance	
Center Freq.(Fo ) +/- 0.5 %	156 MHz	156 MHz	
Tunable Range	156±2 MHz	156±2 MHz	
Insertion Loss	Typ. 2.0 dB	0.90 dB	
-3 dB Bandwidth	Typ. 37 MHz	39 MHz	
Sensitivity (Attenuation)	Fo - 100 MHz	Typ. 24 dBc	27 dBc
	Fo + 100 MHz	Typ. 21 dBc	24 dBc
	Fo - ( )MHz	Typ.      dBc	dBc
	Fo +( )MHz	Typ.      dBc	dBc
Return Loss	Min. 12 dB	25.3 dB	
Ripple	< 1 dB	1 dB	
Impedance	In / Out : 50 Ω	In / Out : 50 Ω	
(4)Torque for Tuning Screw	> 100gf · cm		

### (5)Temperature Condition:

Operating Temperature	0°C ~ +60°C
Storage Temperature	-20°C ~ +70°C

### (6)Input Power

> 1Watt			
Approval	Supervisor	Designer	Aperture size
C.Y.Chang	C.S.Chang	C.S.Chang	7H2S,4*7.5 7H00LB6

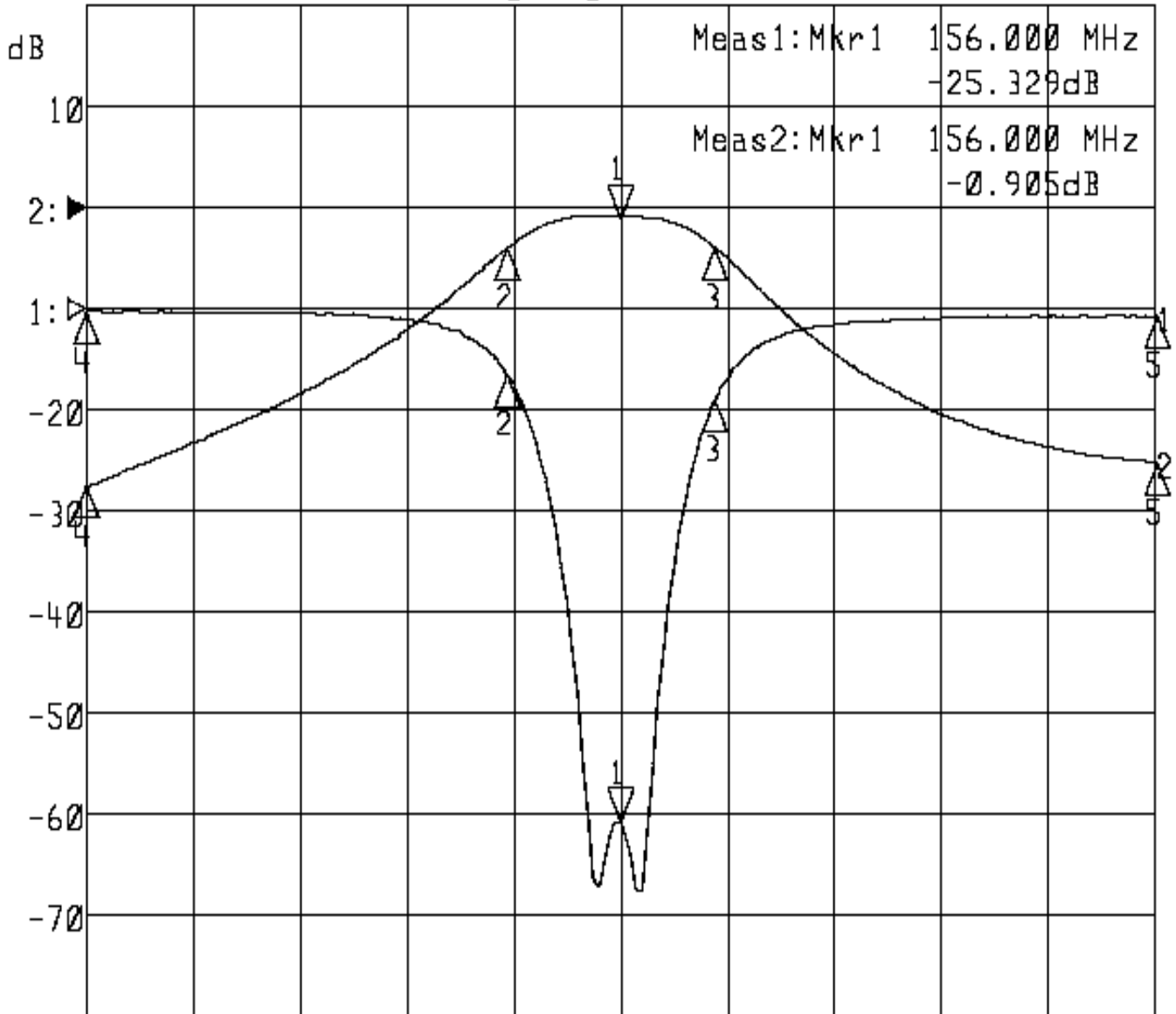
TEMWELL CORPORATION

# Performance-TD67398B-156M

## 2008155DC

▶1:S11 Refl Port1 Log Mag 5.0 dB/ Ref 0.00 dB C

▶2:S21 Fwd Trans Log Mag 10.0 dB/ Ref 0.00 dB C



Center 156.000 MHz

Span 200.000 MHz

1: Mkr (MHz)	dB	2: Mkr (MHz)	dB
1> 156.0000	-25.329	1> 156.0000	-0.905
2: 135.0000	-3.269	2: 135.0000	-3.930
3: 173.7333	-4.502	3: 173.7333	-3.925
4: 56.0000	-0.147	4: 56.0000	-27.619
5: 256.0000	-0.417	5: 256.0000	-25.287