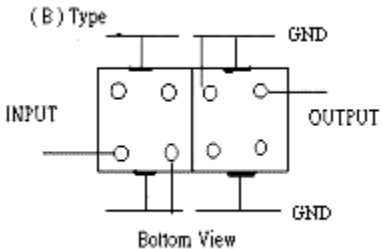
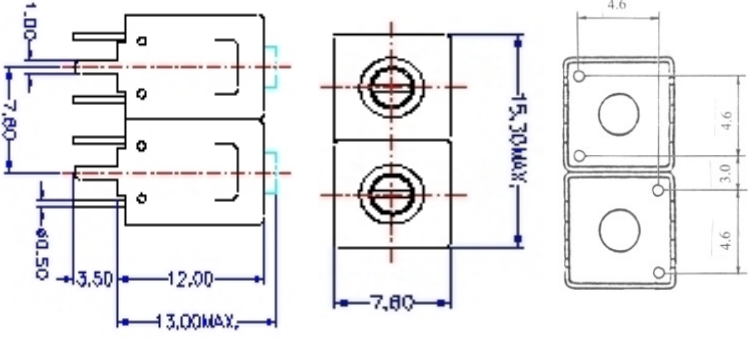


VHF UHF Helical Filter Specification Sheet

Customer Name		Temwell's Part No.	TD6739B-300M
Approval No. /dated	2006033B	Acceptable Specify Fo. Range	276~310M
Work Instruction No.	2006033B	Date	200.06.27

(1)Pin Position	(2)Size Diagram
	

(3)Electric Character

Item	Specify	Performance	
Center Freq.(Fo) +/- 0.5 %	300 MHz	300 MHz	
Tunable Range	300±4 MHz	300±4 MHz	
Insertion Loss	Typ. 2.0 dB	1.17 dB	
-3 dB Bandwidth	Typ. 13 MHz	16 MHz	
Sensitivity (Attenuation)	Fo - 50 MHz	Typ. 26 dBc	29 dBc
	Fo + 50 MHz	Typ. 32 dBc	35 dBc
	Fo - ()MHz	Typ. dBc	dBc
	Fo +()MHz	Typ. dBc	dBc
Return Loss	Min. 12 dB	27.4 dB	
Ripple	< 1 dB	1 dB	
Impedance	In / Out : 50 Ω	In / Out : 50 Ω	
(4)Torque for Tuning Screw	> 100gf • cm		

(5)Temperature Condition:

Operating Temperature	0°C ~ +60°C
Storage Temperature	-20°C ~ +70°C

(6)Input Power

			> 1Watt
Approval	Supervisor	Designer	Aperture size
C.Y.Chang	C.S.Chang	Z. M. Weng	7H2S(4*6.5) 7H046LB4

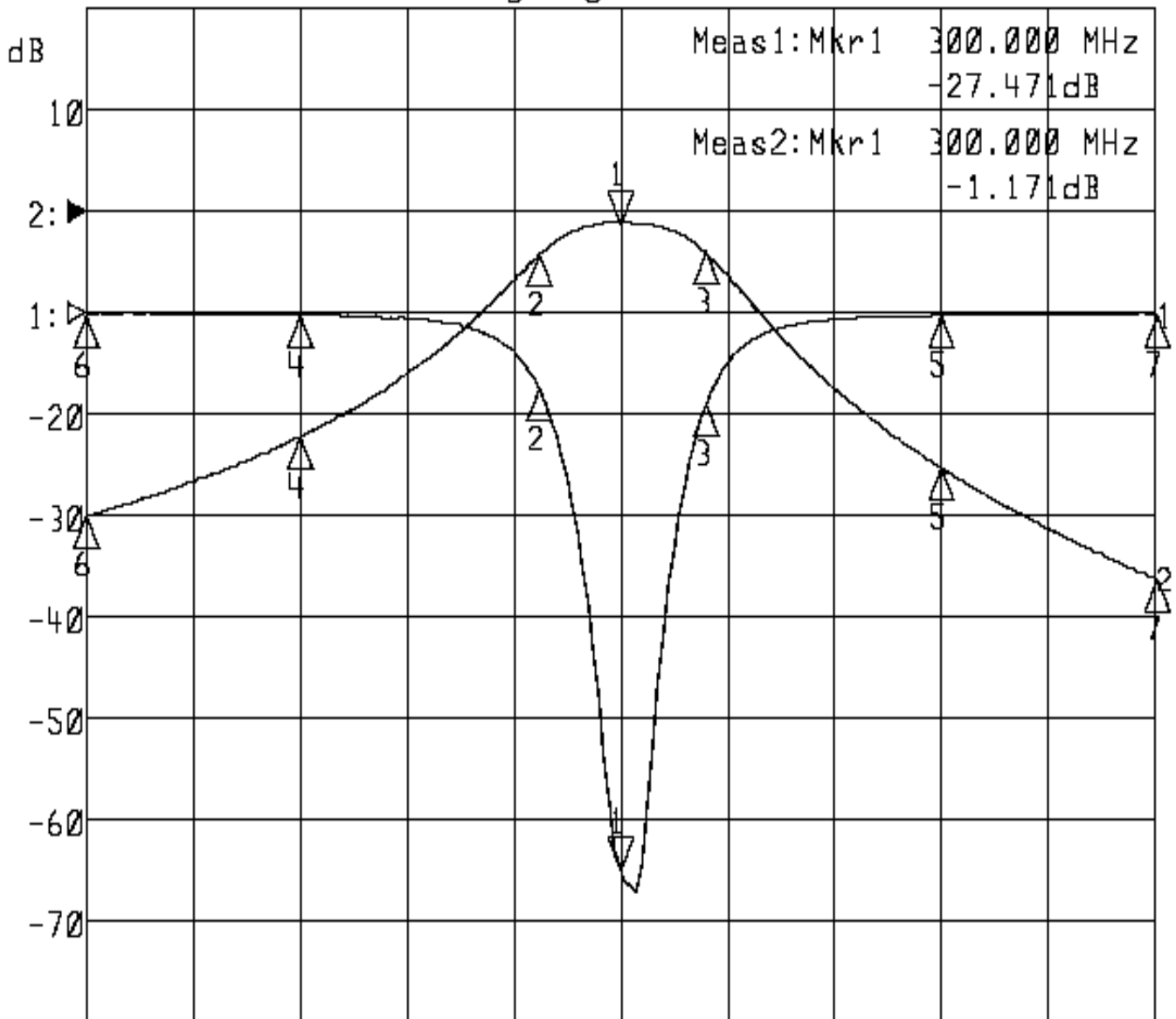
TEMWELL CORPORATION

Performance-TD6739B-300M

2006033B

▷1:S11 Refl Port1 Log Mag 5.0 dB/ Ref 0.00 dB C

▶2:S21 Fwd Trans Log Mag 10.0 dB/ Ref 0.00 dB C



Center 300.000 MHz

Span 100.000 MHz

1: Mkr (MHz)	dB	2: Mkr (MHz)	dB
1> 300.0000	-27.471	1> 300.0000	-1.171
2: 292.4667	-3.793	2: 292.4667	-4.244
3: 308.0000	-4.526	3: 308.0000	-4.101
4: 270.0000	-0.122	4: 270.0000	-22.259
5: 330.0000	-0.131	5: 330.0000	-25.294
6: 250.0000	-0.077	6: 250.0000	-30.079
7: 350.0000	-0.071	7: 350.0000	-36.204