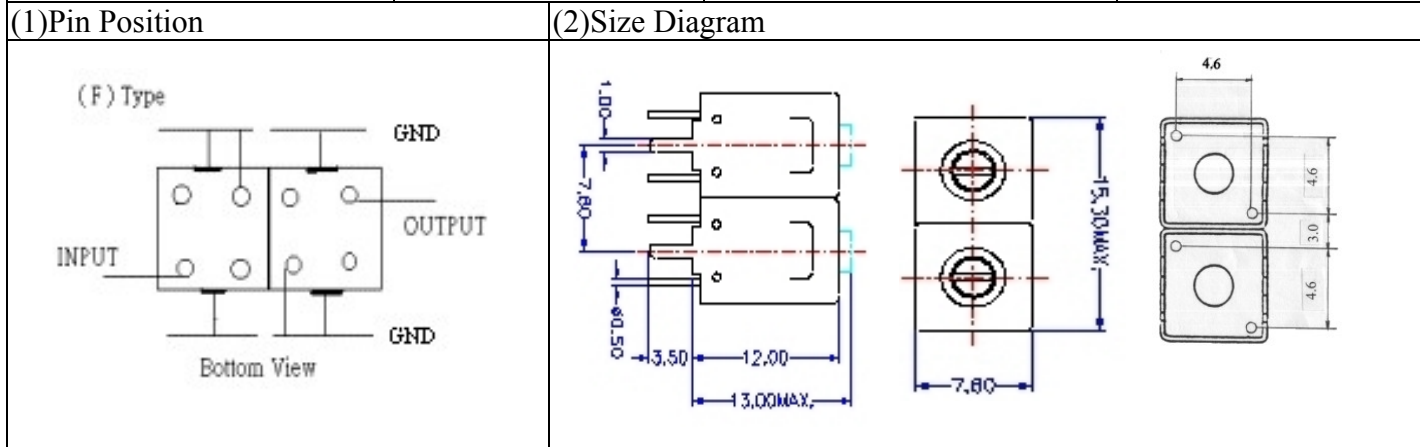


# VHF UHF Helical Filter Specification Sheet

Customer Name		Temwell's Part No.	TD6740F1-345M
Approval No. /dated	0610076APR	Temwell's Print Name	6740F 345M
Work Instruction No.	0610076DB	Date	Oct.30.2006



**(3) Electric Characteristic**

Item	Specify	Performance
Center Freq.(Fo) +/- 0.5 %	345 MHz	345 MHz
Tunable Range	345±4 MHz	345±4 MHz
Insertion Loss	Typ. 2.5 dB	1.65 dB
-1 dB Bandwidth	Typ. 8 MHz	9.4 MHz
-3dB Bandwidth	Typ. 9 MHz	12 MHz
Sensitivity (Attenuation)	Fo - 30 MHz	Typ. 27 dB
	Fo + 30 MHz	Typ. 20 dB
	Fo - ( )MHz	Typ. dB
	Fo +( )MHz	Typ. dB
Return Loss	Min. 12 dB	23.2 dB
Ripple	< 1 dB	
Impedance	In / Out : 50 Ω	In / Out : 50 Ω

(4) Torque for Tuning Screw > 100f · cm

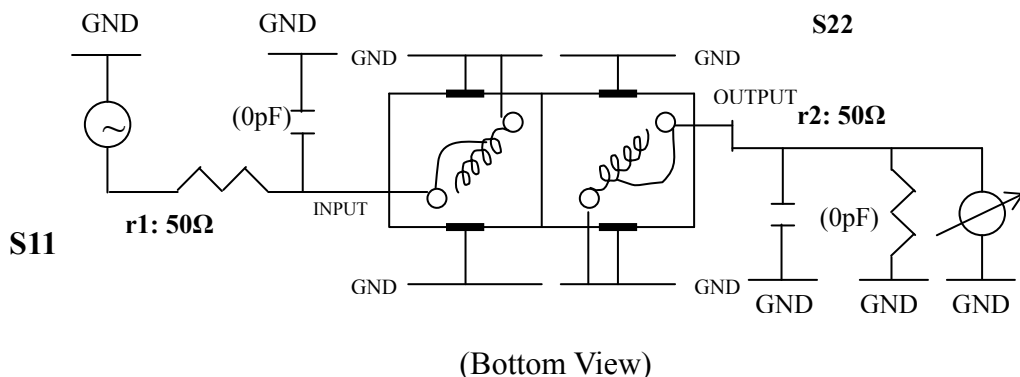
(5) Temperature Condition:

Operating Temperature 0°C ~ +60°C

Storage Temperature -20°C ~ +70°C

(6) Input Power > 1Watt

(7) Measuring Circuit: ※Easy to match Impedance 50Ω by parallel with about ( 0 ) pF.

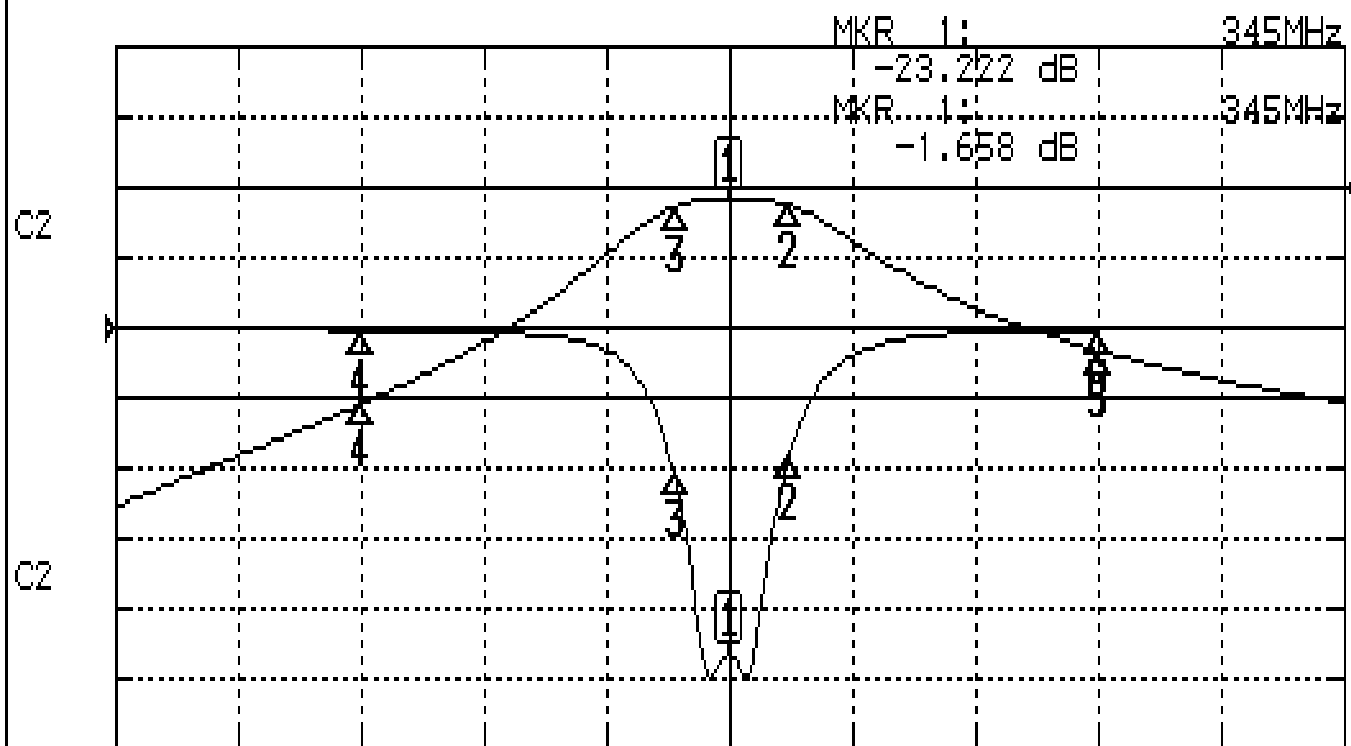


Approval C.Y.Chang	Supervisor C.S.Chang	Designer P.H.Chiang	Aperture size 7H2(4*5.5)(5.58) 7H046LB5
-----------------------	-------------------------	------------------------	---

# Performance-TD6740F1-345M

## 0610076DB

CH1 S11 LOG MAG REF 0.000 dB 5.000 dB/  
CH2 S21 LOG MAG REF 0.000 dB 10.000 dB/



CENTER 345MHz

[ 10.00 dBm ]

SPAN 100MHz

### CH1 MARKER LIST

1:	345.000MHz	-23.222 dB
2:	349.916MHz	-9.146 dB
3:	340.500MHz	-10.305 dB
4:	315.000MHz	-0.161 dB
5:	375.000MHz	-0.148 dB

### CH2 MARKER LIST

1:	345.000MHz	-1.658 dB
2:	349.916MHz	-2.588 dB
3:	340.500MHz	-2.673 dB
4:	315.000MHz	-30.799 dB
5:	375.000MHz	-23.251 dB