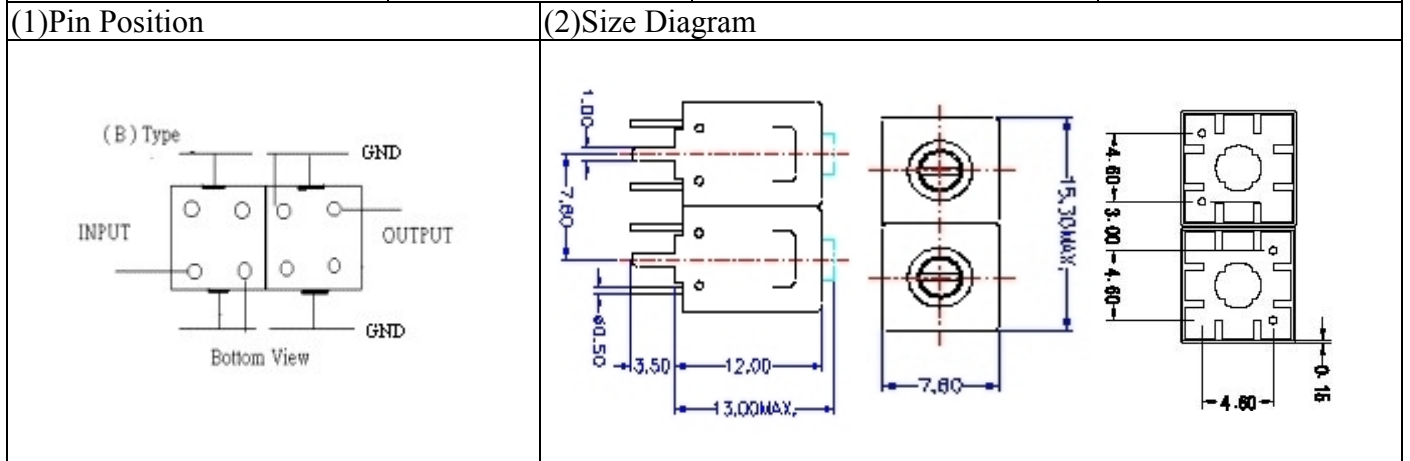


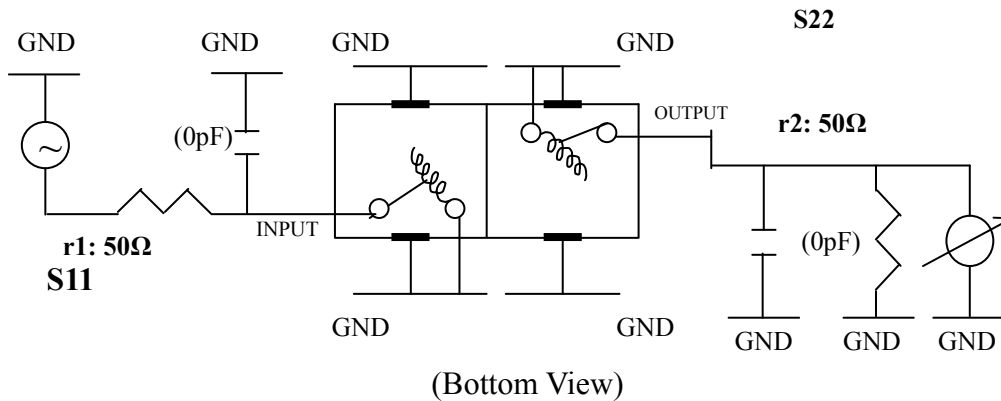
# VHF UHF Helical Filter Specification Sheet

Customer Name		Temwell's Part No.	TD6741B-319M
Approval No. /dated	200901061CD	Customer's Part No.	6741B 319M
Work Instruction No.	200901061CD	Date	Jan.22.2009



(3) Electric Characteristic			
Item		Specify	Performance
Center Freq.(Fo) +/- 0.5 %		319 MHz	319 MHz
Tunable Range:		319±4 MHz	319±4 MHz
Insertion Loss		Typ. 2.5 dB	1.50 dB
-3 dB Bandwidth		Typ. 13 MHz	16.4 MHz
Sensitivity (Attenuation)	Fo - 50 MHz	Typ. 23 dBc	26 dBc
	Fo + 50 MHz	Typ. 31 dBc	34 dBc
	Fo - ( )MHz	Typ. dBc	dBc
	Fo +( )MHz	Typ. dBc	dBc
Return Loss		Min. 12 dB	24.3 dB
Ripple		< 1 dB	dB
Impedance		In / Out : 50 Ω	In / Out : 50 Ω
(4) Torque for Tuning Screw		> 100gf · cm	
(5) Temperature Condition:			
Operating Temperature		0°C ~ +60°C	
Storage Temperature		-20°C ~ +70°C	
(6) Input Power		> 1 Watt	

(7) Measuring Circuit: ※Easy to match Impedance S11/S22 50Ω by parallel with about ( 0 ) pF.



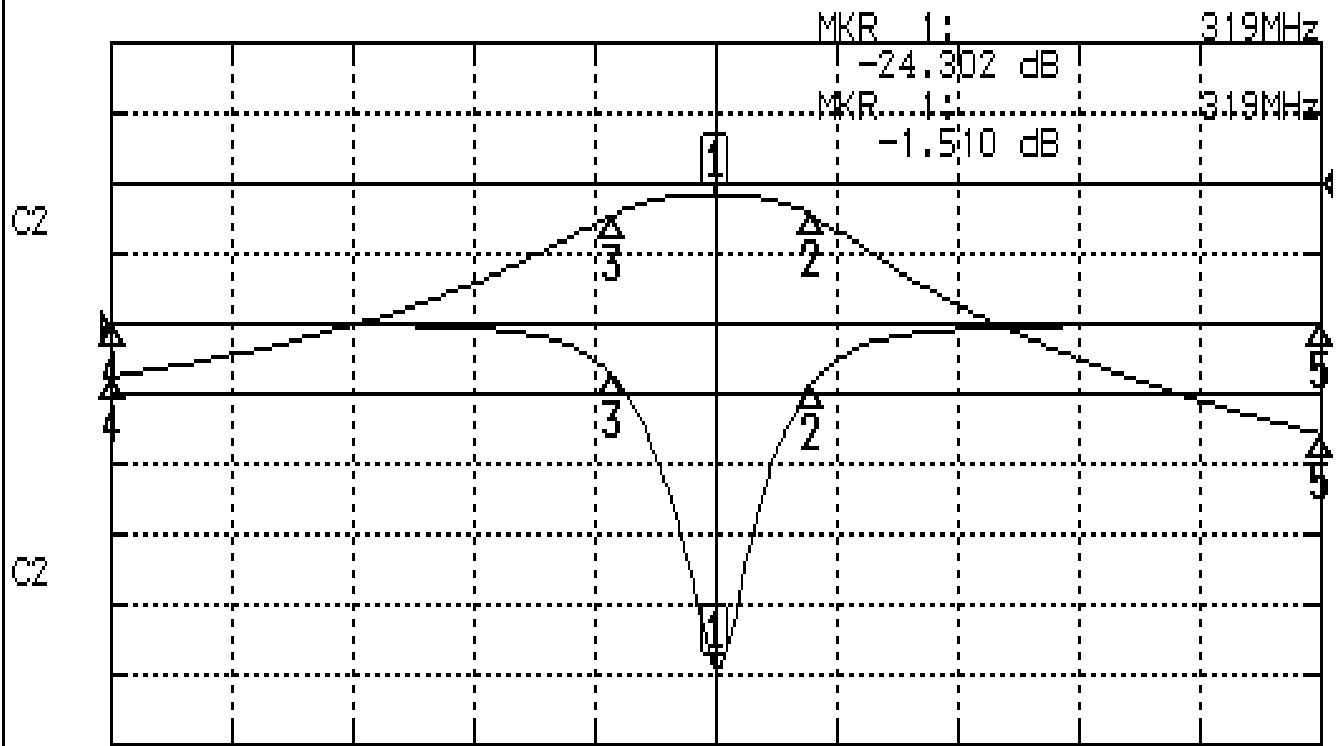
Approval	Supervisor	Designer	Aperture size
C.Y.Chang	C.K.Chang	C.H.Yeh	7H2S(4*6.5)(6.59) (7H046LB4 聚 3)

TEMWELL CORPORATION

# Performance-TD6741B-319M

## 200901061CD

CH1 S11 LOG MAG REF 0.000 dB 5.000 dB/  
 CH2 S21 LOG MAG REF 0.000 dB 10.000 dB/



CENTER 319MHz

[ 10.00 dBm ]

SPAN 100MHz

### CH1 MARKER LIST

1	319.000MHz	-24.302	dB
2	326.833MHz	-14.440	dB
3	310.416MHz	-13.648	dB
4	269.000MHz	-0.005	dB
5	369.000MHz	-0.001	dB

### CH2 MARKER LIST

1	319.000MHz	-1.509	dB
2	326.833MHz	-4.531	dB
3	310.416MHz	-4.568	dB
4	269.000MHz	-27.634	dB
5	369.000MHz	-35.681	dB