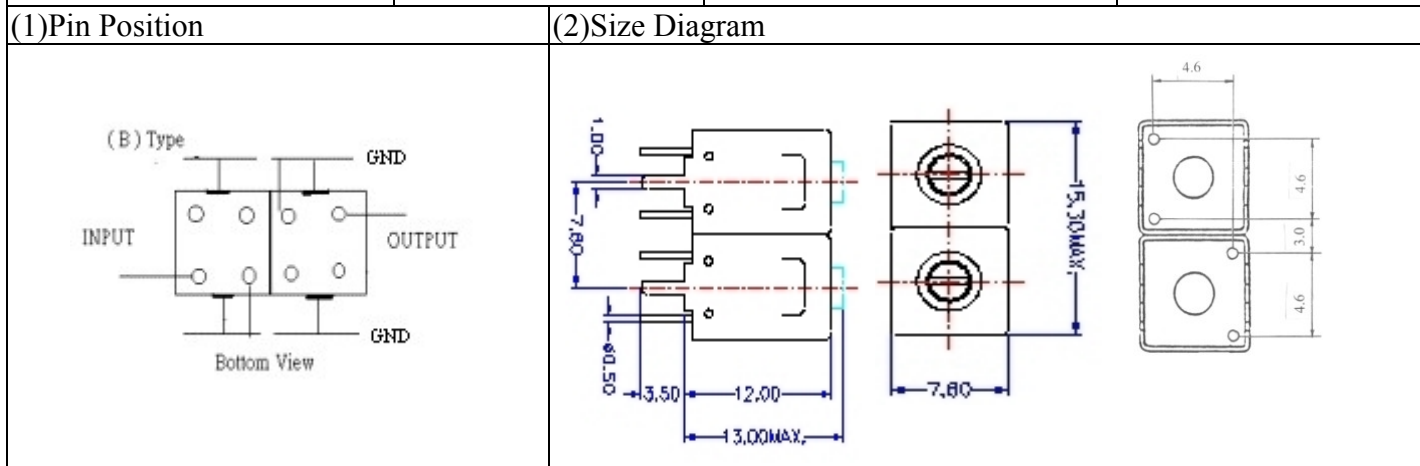


VHF UHF Helical Filter Specification Sheet

Customer Name		Temwell's Part No.	TD67420B-50M
Approval No. /dated	2009049DC	Acceptable Specify Range	46~55MHz
Work Instruction No.	2009049DC	Date	



(3) Electric Characteristic

Item	Specify	Performance
Center Freq.(Fo) +/- 0.5 %	50 MHz	50 MHz
Tunable Range	50±2 MHz	50±2 MHz
Insertion Loss	Typ. 2.0 dB	1.64 dB
-3 dB Bandwidth	Typ. 8 MHz	9 MHz
Sensitivity (Attenuation)	Fo - 20 MHz	Typ. 17 dBc
	Fo + 20 MHz	Typ. 23 dBc
	Fo - ()MHz	Typ. dBc
	Fo + ()MHz	Typ. dBc
Return Loss	Min. 12 dB	14.4 dB
Ripple	< 1 dB	
Impedance	In / Out : 50 Ω	In / Out : 50 Ω

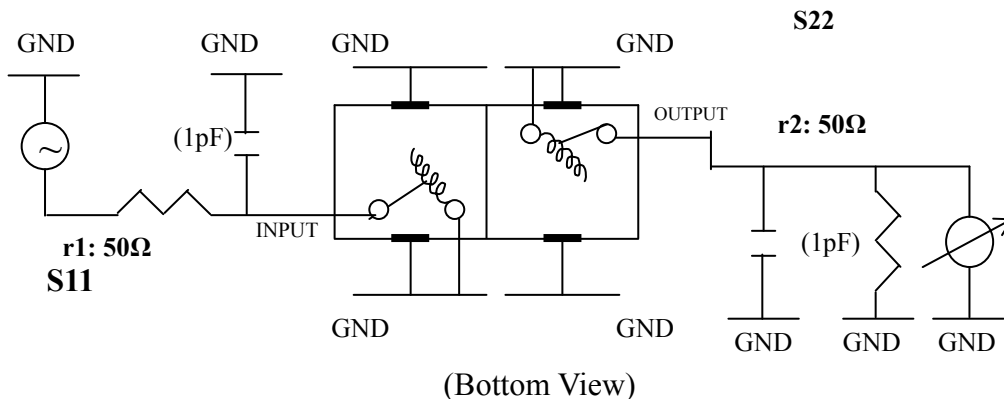
(4) Torque for Tuning Screw > 100gf · cm

(5) Temperature Condition:

Operating Temperature	0°C ~ +60°C
Storage Temperature	20°C ~ +70°C

(6) Input Power > 1Watt

(7) Measuring Circuit: ※Easy to match Impedance 50Ω by parallel with about (1) pF.



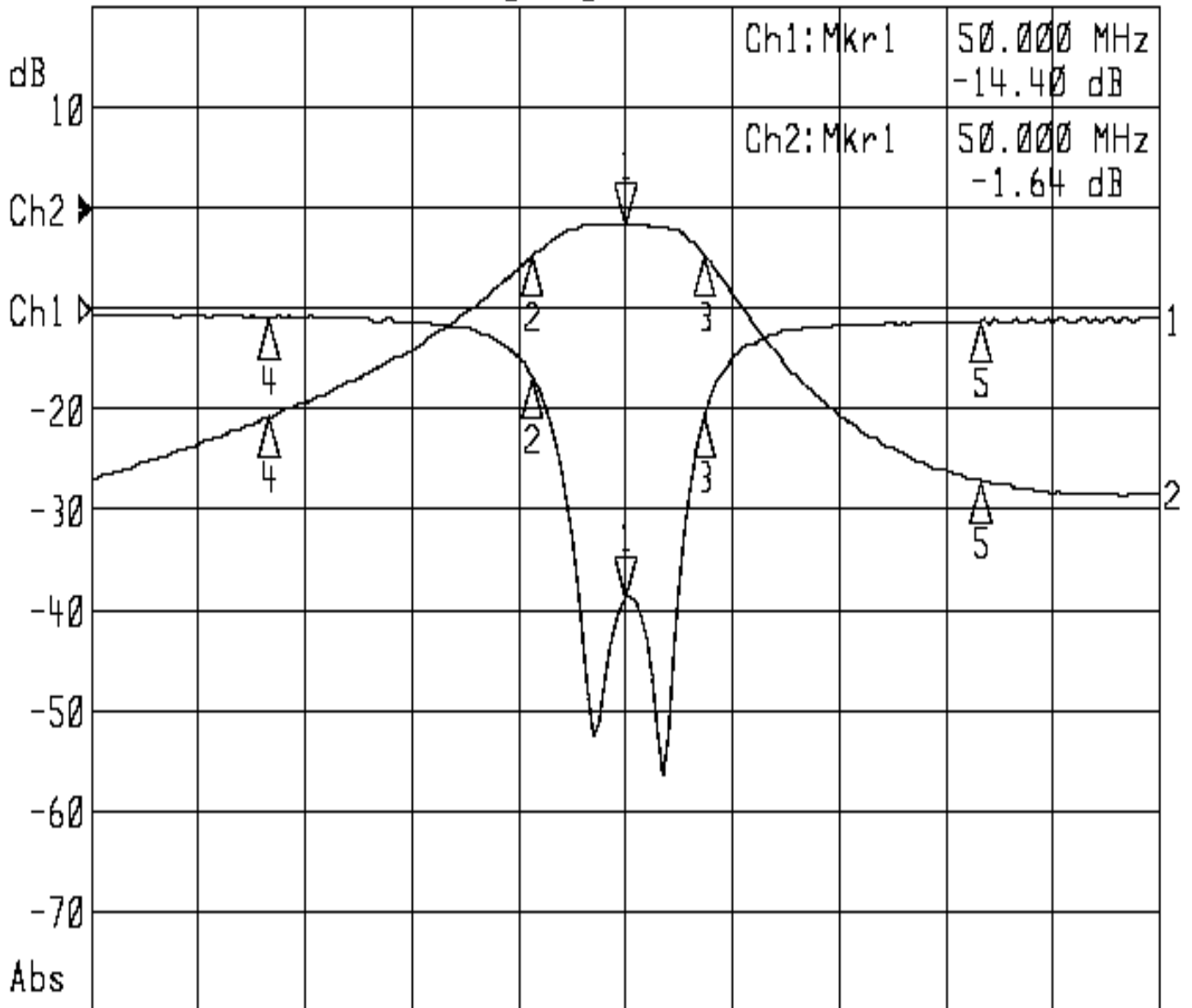
Approval C.Y.Chang	Supervisor C.S.Chang	Designer C.S.Chang	Aperture size 7H2S(4*6.5F) 7H00LB6
-----------------------	-------------------------	-----------------------	--

Performance-TD67420B-50M

2009049DC

▶1: Reflection Log Mag 5.0 dB/ Ref 0.00 dB C

▶2: Transmission Log Mag 10.0 dB/ Ref 0.00 dB C



Center 50.000 MHz

Span 60.000 MHz

1: Mkr (MHz)	dB	2: Mkr (MHz)	dB
1> 50.00	-14.40	1> 50.00	-1.64
2: 44.81	-3.41	2: 44.81	-4.67
3: 54.43	-5.30	3: 54.43	-4.54
4: 30.00	-0.44	4: 30.00	-20.75
5: 70.00	-0.55	5: 70.00	-27.06