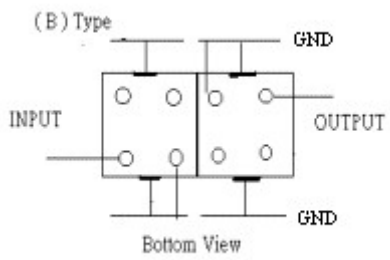
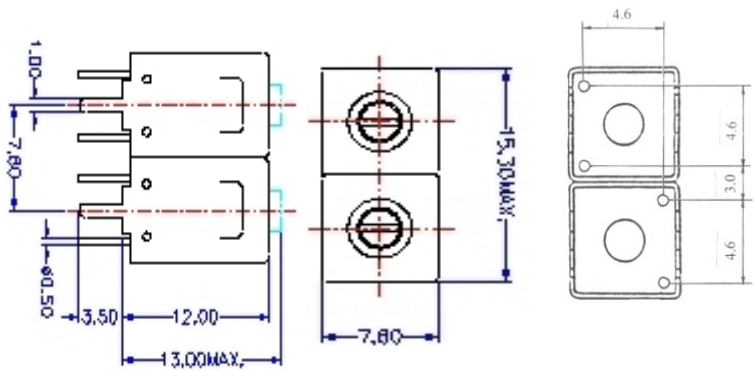


VHF UHF Helical Filter Specification Sheet

Customer Name		Temwell's Part No.	TD67435B-140M
Approval No. /dated	20010031DC	Acceptable SpecifyFo Range	126~145MHz
Work Instruction No.	20010031DC	Date	

<p>(1)Pin Position</p>  <p style="text-align: center;">Bottom View</p>	<p>(2)Size Diagram</p> 
---	---

(3)Electric Charasteric

Item	Specify	Performance	
Center Freq.(Fo) +/- 0.5 %	140 MHz	140 MHz	
Tunable Range	140±2 MHz	140±2 MHz	
Insertion Loss	Typ. 2.0 dB	0.99 dB	
-3 dB Bandwidth	Typ. 26 MHz	28 MHz	
Sensitivity (Attenuation)	Fo - 50 MHz	Typ. 16 dBc	18 dBc
	Fo + 50 MHz	Typ. 20 dBc	22 dBc
	Fo - ()MHz	Typ. dBc	dBc
	Fo +()MHz	Typ. dBc	dBc
Return Loss	Min. 12 dB	33.8 dB	
Ripple	< 1 dB	dB	
Impedance	In / Out : 50 Ω	In / Out : 50 Ω	

(4)Torque for Tuning Screw > 100gf • cm

(5)Temperature Condition:

Operating Temperature	0°C ~ +60°C
Storage Temperature	-20°C ~ +70°C

(6)Input Power > 1Watt

Approval	Supervisor	Designer	Aperture size
C.Y.Chang	C.S.Chang	C.S.Chang	7H2S(4*6.5)F 7H00LB6

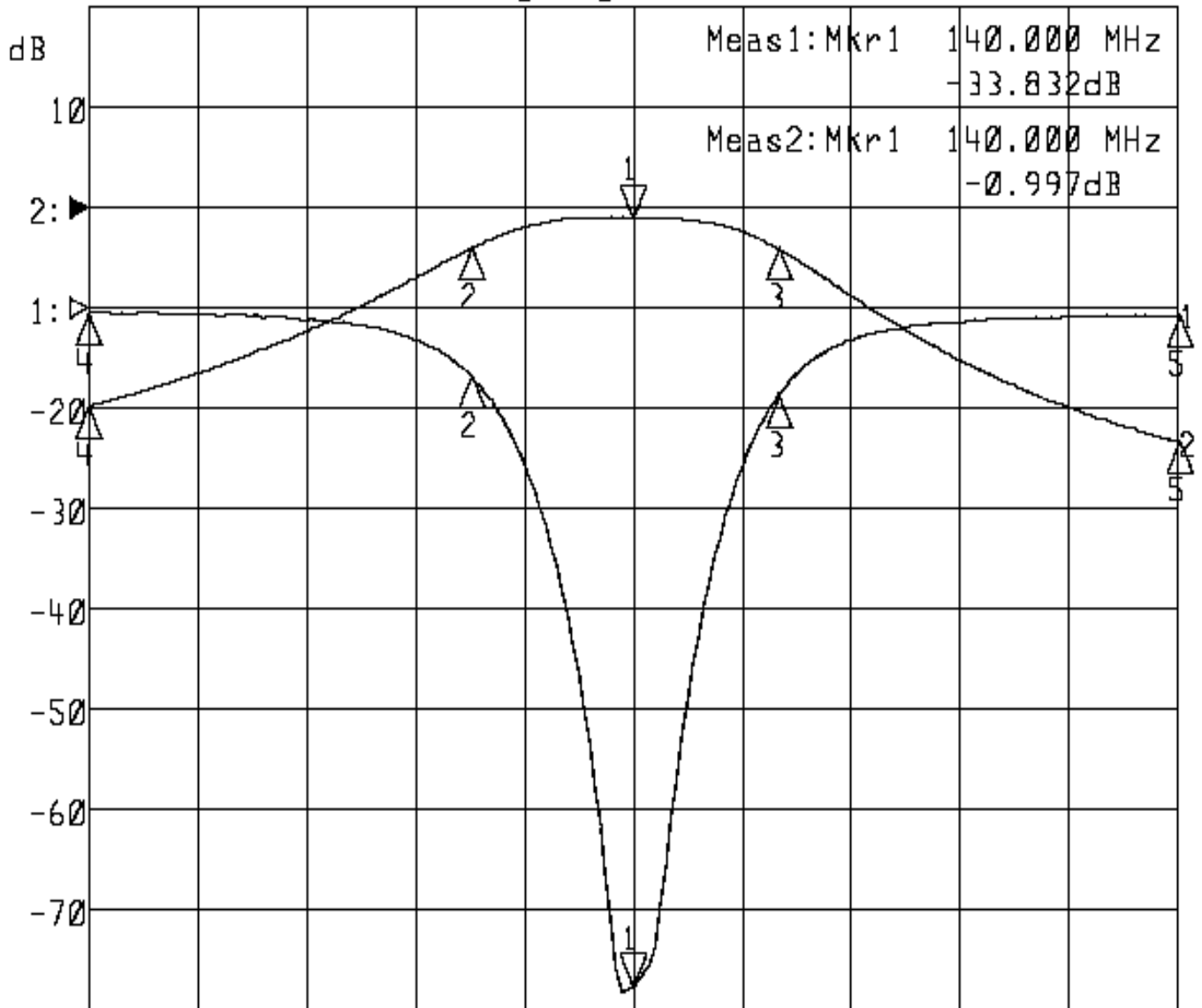
TEMWELL CORPORATION

Performance-TD67435B-140M

20010031DC

►1:S11 Refl Port1 Log Mag 5.0 dB/ Ref 0.00 dB C

►2:S21 Fwd Trans Log Mag 10.0 dB/ Ref 0.00 dB C



Center 140.000 MHz

Span 100.000 MHz

1: Mkr (MHz)	dB	2: Mkr (MHz)	dB
1> 140.0000	-33.832	1> 140.0000	-0.997
2: 125.1333	-3.345	2: 125.1333	-4.034
3: 153.3000	-4.371	3: 153.3000	-4.061
4: 90.0000	-0.203	4: 90.0000	-19.816
5: 190.0000	-0.324	5: 190.0000	-23.316