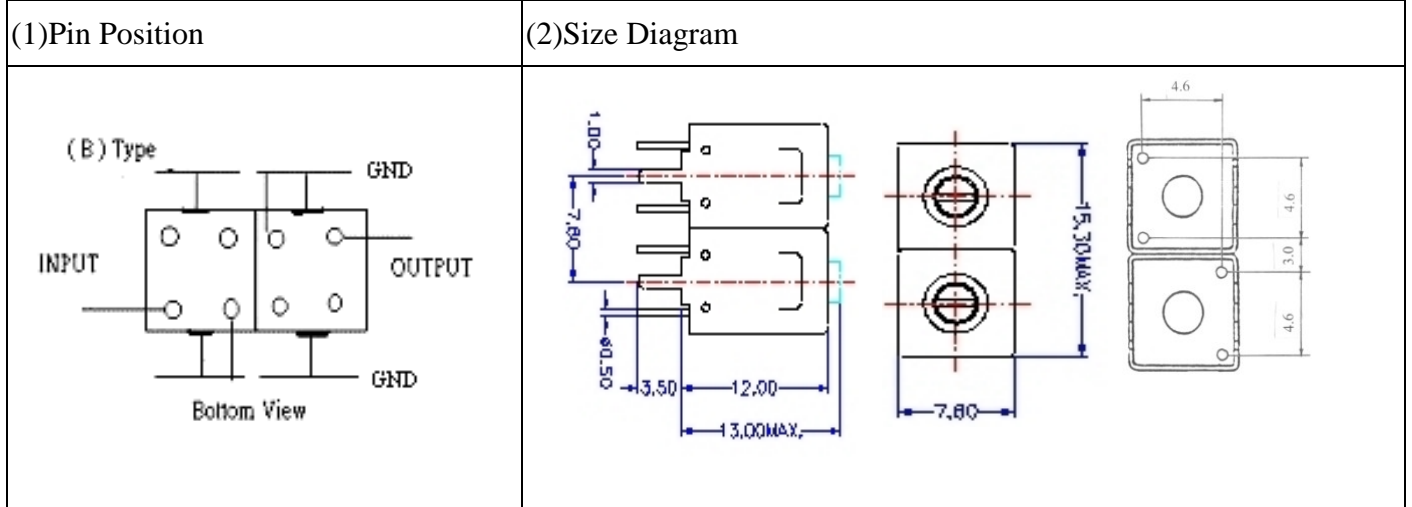


VHF UHF Helical Filter Specification Sheet

Customer Name		Temwell's Part No.	TD67441B-318M
Approval No. /dated	20011055DC	Acceptable Specify Fo. Range	311~355MHz
Work Instruction No.	20011055DC	Date	



(3) Electric Character

Item	Specify	Performance	
Center Freq.(Fo) +/- 0.5 %	318 MHz	318 MHz	
Tunable Range	318±4 MHz	318±4 MHz	
Insertion Loss	Typ. 2.0 dB	0.63 dB	
-3 dB Bandwidth	Typ. 27 MHz	30.2 MHz	
Sensitivity (Attenuation)	Fo -50 MHz	Typ. 15 dBc	
	Fo +50 MHz	Typ. 17 dBc	
	Fo - ()MHz	Typ. dBc	
	Fo +()MHz	Typ. dBc	
Return Loss	Min. 12 dB	34.2 dB	
Ripple	< 1 dB	1 dB	
Impedance	In / Out : 50 Ω	In / Out : 50 Ω	
(4) Torque for Tuning Screw	> 100gf • cm		
(5) Temperature Condition:			
Operating Temperature	0°C ~ +60°C		
Storage Temperature	-20°C ~ +70°C		
(6) Input Power	> 1 Watt		
Approval	Supervisor	Designer	Aperture size
C.Y. Chang	C.S. Chang	C.S. Chang	7H2S(4*6.5)F 7H046LB5

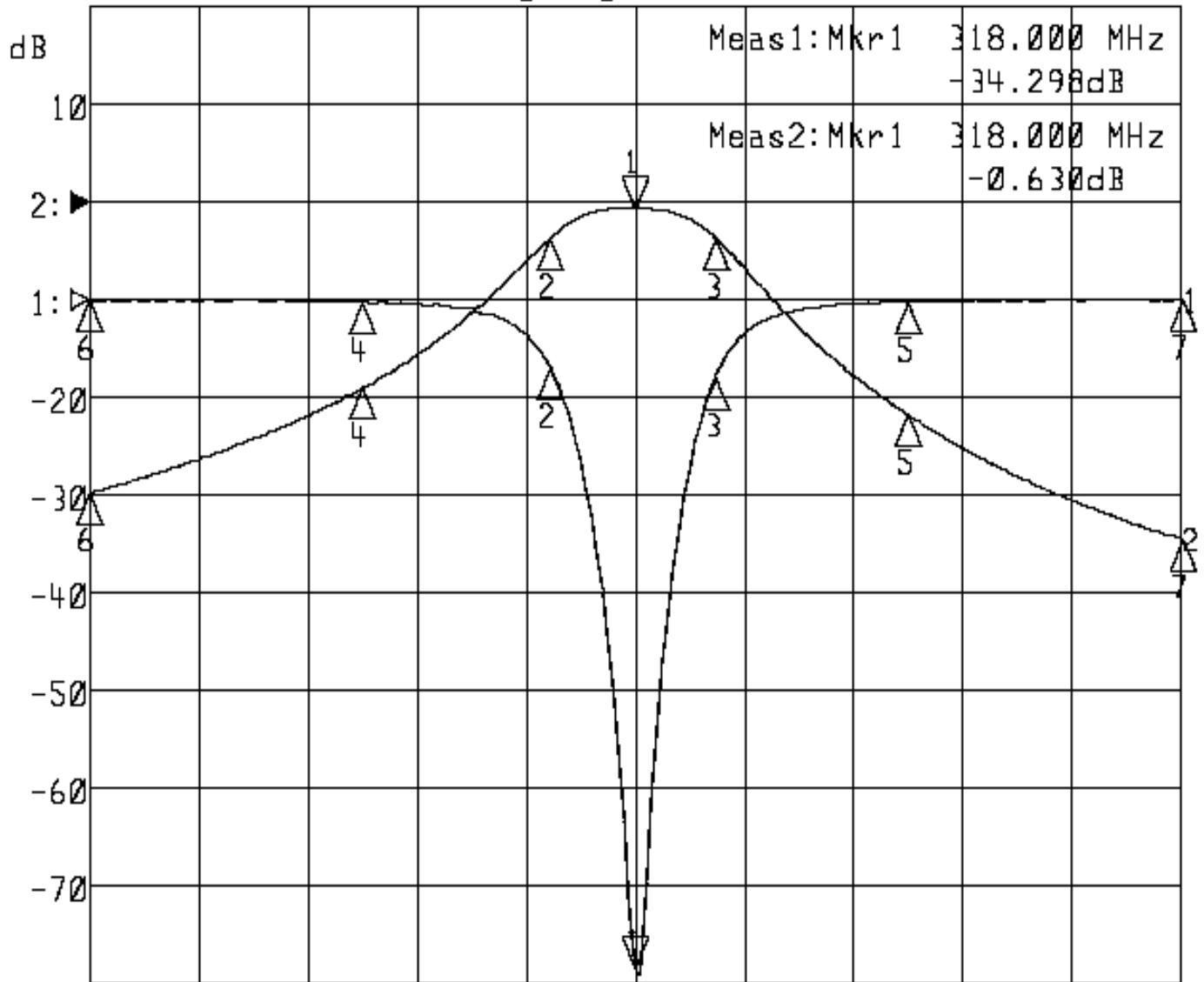
TEMWELL CORPORATION

Performance-TD67441B-318M

20011055DC

►1:S11 Refl Port1 Log Mag 5.0 dB/ Ref 0.00 dB C

►2:S21 Fwd Trans Log Mag 10.0 dB/ Ref 0.00 dB C



Center 318.000 MHz

Span 200.000 MHz

1: Mkr (MHz)	dB	2: Mkr (MHz)	dB
1> 318.0000	-34.298	1> 318.0000	-0.630
2: 302.5333	-3.484	2: 302.5333	-3.672
3: 332.7333	-3.958	3: 332.7333	-3.628
4: 268.0000	-0.080	4: 268.0000	-19.061
5: 368.0000	-0.155	5: 368.0000	-21.788
6: 218.0000	-0.014	6: 218.0000	-29.725
7: 418.0000	0.026	7: 418.0000	-34.416