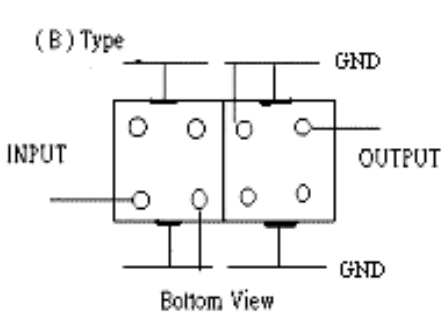
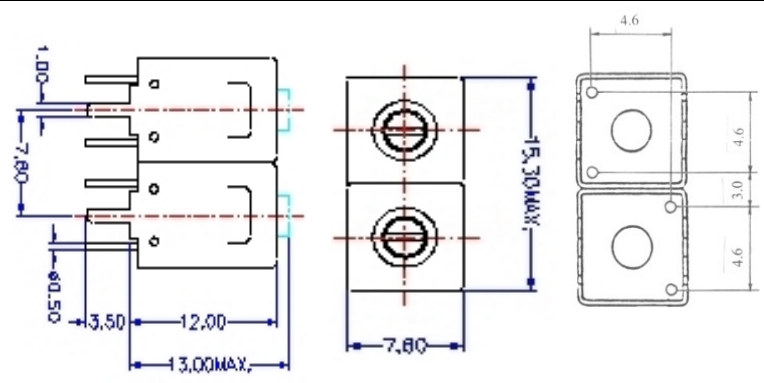


VHF UHF Helical Filter Specification Sheet

Customer Name		Temwell's Part No.	TD67443B-113.5M
Approval No. /dated	20012029DC	Acceptable Specify Fo. Range	108~125MHz
Work Instruction No.	20012029DC	Date	

<p>(1) Pin Position</p>  <p style="text-align: center;">Bottom View</p>	<p>(2) Size Diagram</p> 
--	--

(3) Electric Character

Item	Specify	Performance
Center Freq.(Fo) +/- 0.5 %	113.5 MHz	113.5 MHz
Tunable Range	113.5±2 MHz	113.5±2 MHz
Insertion Loss	Typ. 2.5 dB	1.4 dB
-3 dB Bandwidth	Typ. 15 MHz	17 MHz
Sensitivity (Attenuation)	Fo -40 MHz	Typ. 19 dBc
	Fo +40 MHz	Typ. 24 dBc
	Fo - ()MHz	Typ. dBc
	Fo +()MHz	Typ. dBc
Return Loss	Min. 12 dB	1.37 dB
Ripple	< 1 dB	1 dB
Impedance	In / Out : 50 Ω	In / Out : 50 Ω
(4) Torque for Tuning Screw	> 100gf • cm	

(5) Temperature Condition:

Operating Temperature	0°C ~ +60°C
Storage Temperature	-20°C ~ +70°C

(6) Input Power

	> 1Watt
--	---------

Approval	Supervisor	Designer	Aperture size
C.Y.Chang	C.S.Chang	C.S.Chang	7H2S(4*6.5)F 7H00LB6

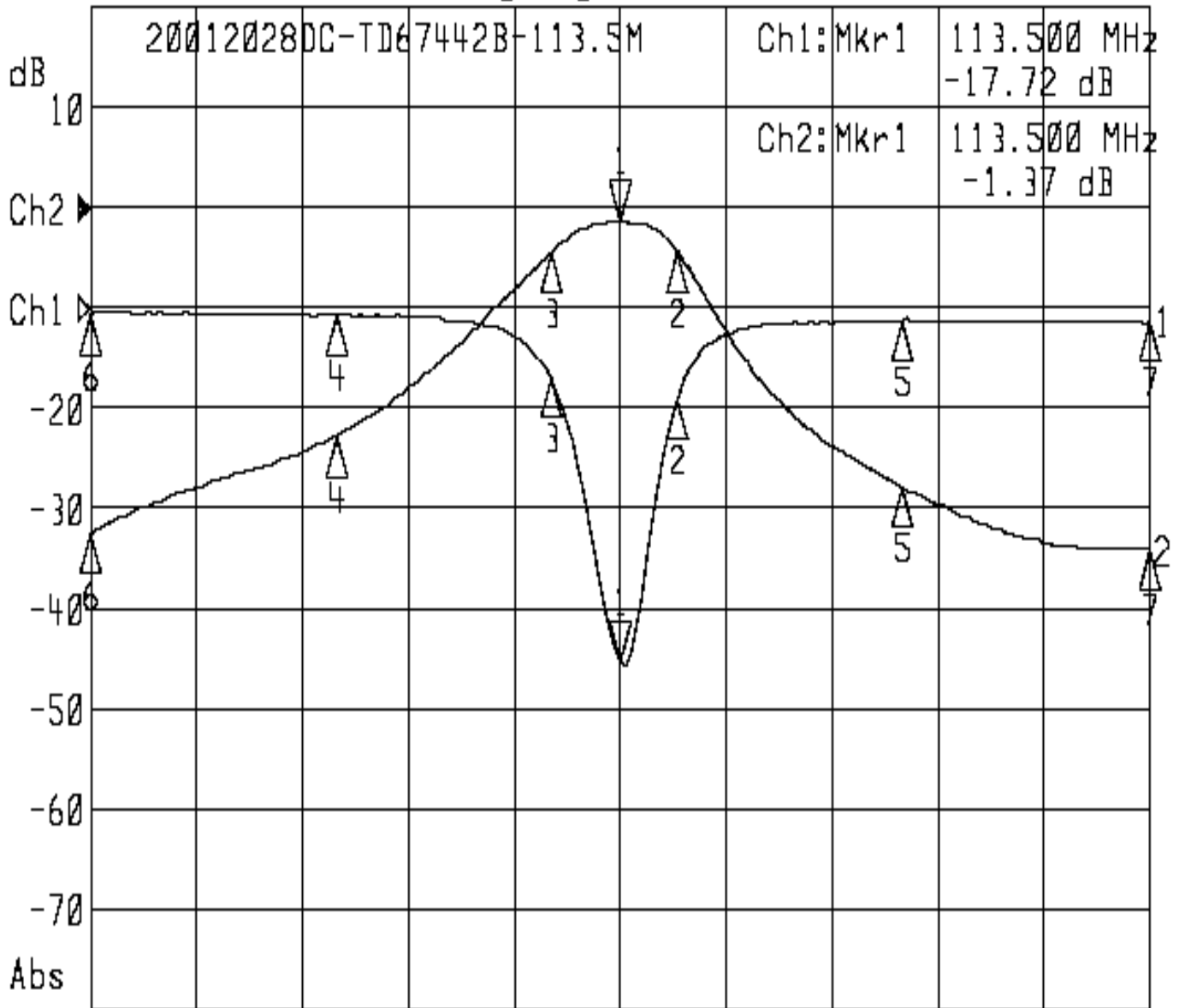
TEMWELL CORPORATION

Performance-TD67443B-113.5M

20012029DC

▶1: Reflection Log Mag 5.0 dB/ Ref 0.00 dB C

▶2: Transmission Log Mag 10.0 dB/ Ref 0.00 dB C



Center 113.500 MHz

Span 150.000 MHz

1: Mkr (MHz)	dB	2: Mkr (MHz)	dB
1> 113.50	-17.72	1> 113.50	-1.37
2: 121.60	-4.46	2: 121.60	-4.32
3: 103.80	-3.51	3: 103.80	-4.35
4: 73.50	-0.39	4: 73.50	-22.67
5: 153.50	-0.58	5: 153.50	-27.86
6: 38.50	-0.26	6: 38.50	-32.47
7: 188.50	-0.63	7: 188.50	-34.04