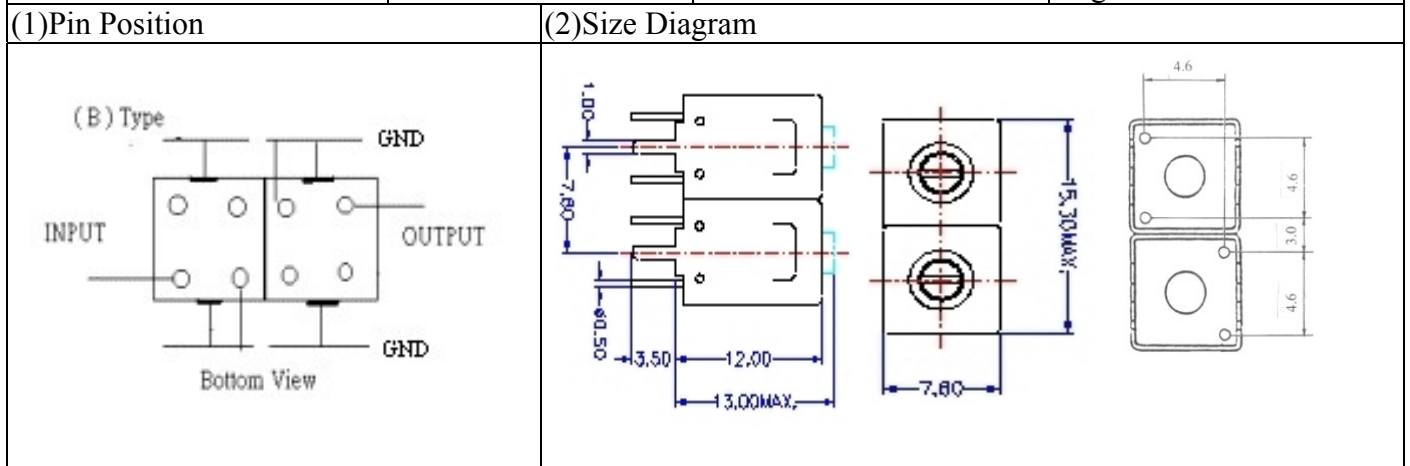


VHF UHF Helical Filter Specification Sheet

Customer Name		Temwell's Part No.	TD67687B-100M
Approval No. /dated	20507030APR	Temwell's Print Name	96~107M
Work Instruction No.	20507030DC	Date	Aug.01.2006



(3) Electric Character

Item	Specify	Performance	
Center Freq.(Fo) +/- 0.5 %	100 MHz	100 MHz	
Tunable Range	100±2 MHz	100±2 MHz	
Insertion Loss	Typ. 2.0 dB	1.23 dB	
-3 dB Bandwidth	Typ. 15 MHz	17.6 MHz	
Sensitivity (Attenuation)	Fo - 50 MHz	Typ. 23 dBc	27 dBc
	Fo + 50 MHz	Typ. 26 dBc	31 dBc
	Fo - ()MHz	Typ. dBc	dBc
	Fo + ()MHz	Typ. dBc	dBc
Return Loss	Min. 12 dB	20.0 dB	
Ripple	< 1 dB	dB	
Impedance	In / Out : 50 Ω	In / Out : 50 Ω	

(4) Torque for Tuning Screw

> 100gf · cm

(5) Temperature Condition:

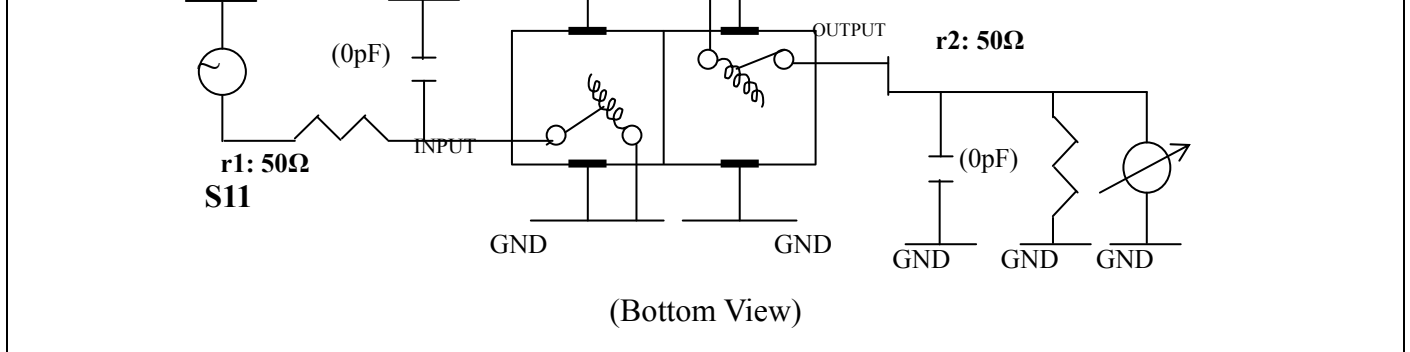
Operating Temperature	0°C ~ +60°C
-----------------------	-------------

Storage Temperature	-20°C ~ +70°C
---------------------	---------------

(6) Input Power

> 1Watt

(7) Measuring Circuit: ※Easy to match Impedance 50Ω by parallel with about (0) pF.

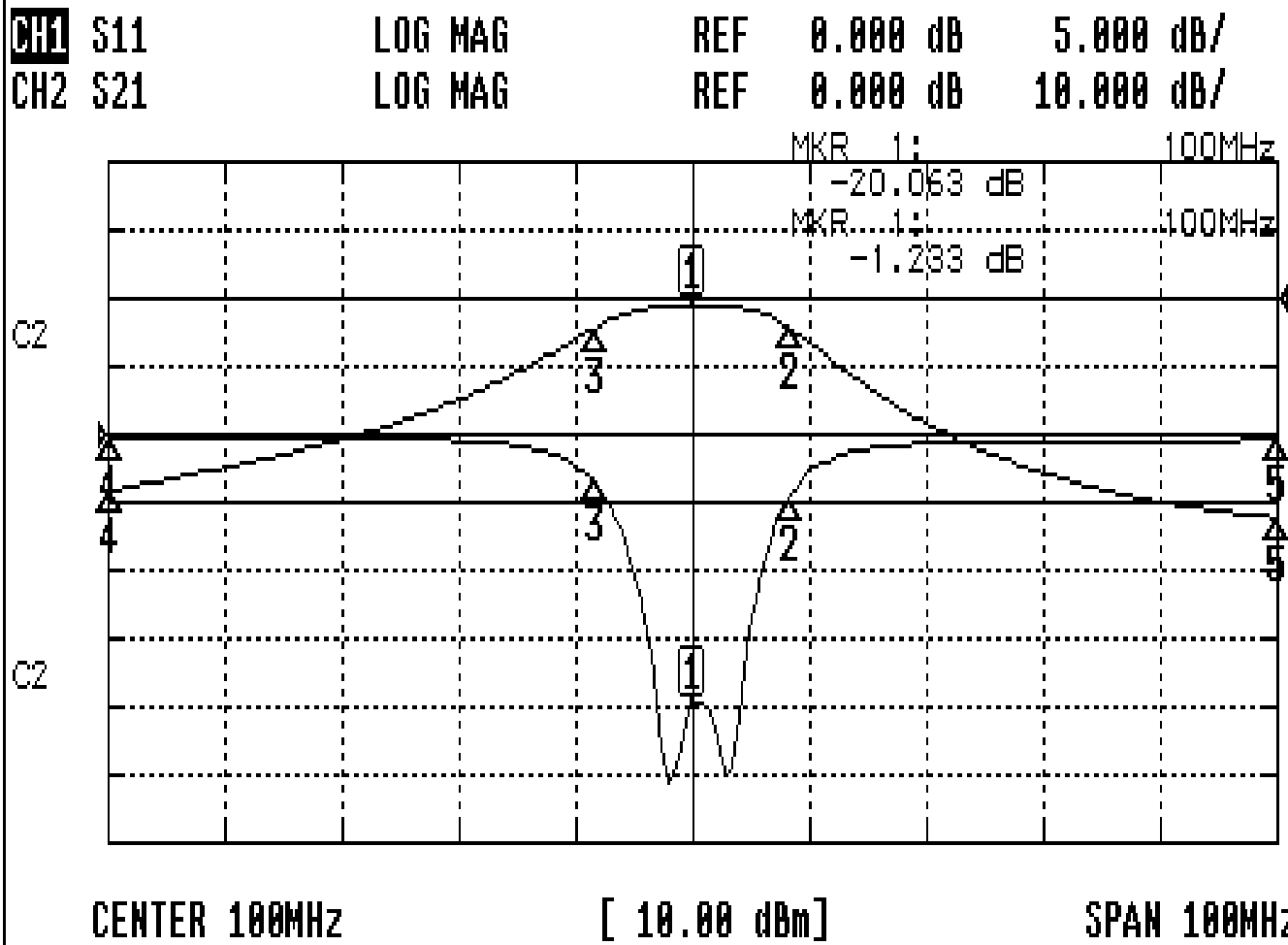


Approval	Supervisor	Designer	Aperture size
C.Y.Chang	C.S.Chang	W.W.Wang	7H2(4*5.5)F 7H00LB6

TEMWELL CORPORATION

Performance-TD67687B-100M

20507030DC



CH1 MARKER LIST

Marker	Frequency (MHz)	Magnitude (dB)
1	100.000	-20.063
2	108.250	-14.694
3	91.666	-13.546
4	50.000	-0.204
5	150.000	-0.433

CH2 MARKER LIST

Marker	Frequency (MHz)	Magnitude (dB)
1	100.000	-1.235
2	108.250	-4.260
3	91.666	-4.289
4	50.000	-28.291
5	150.000	-32.116