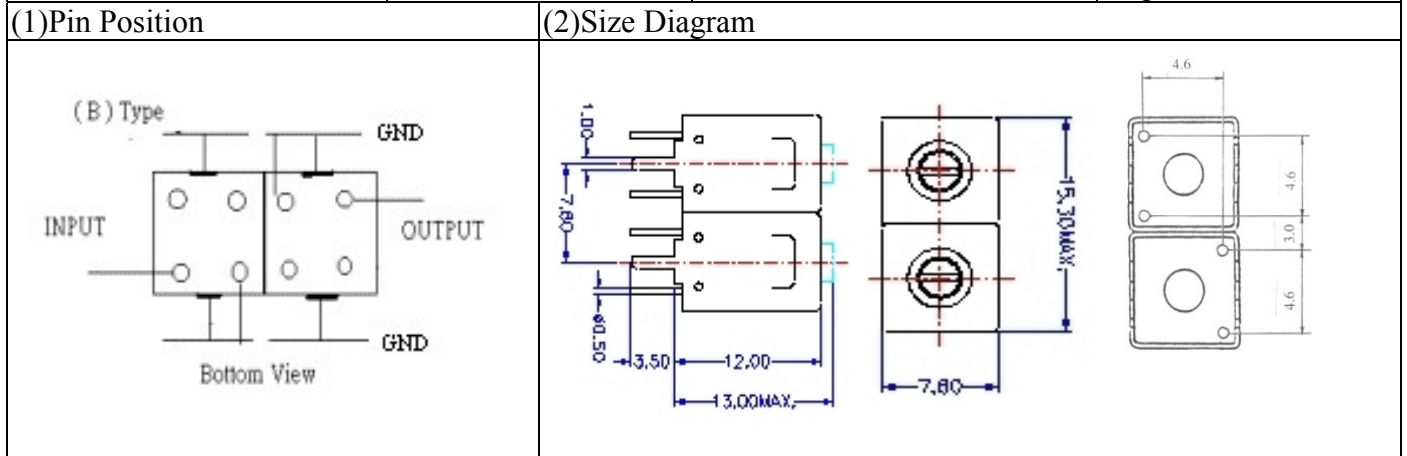


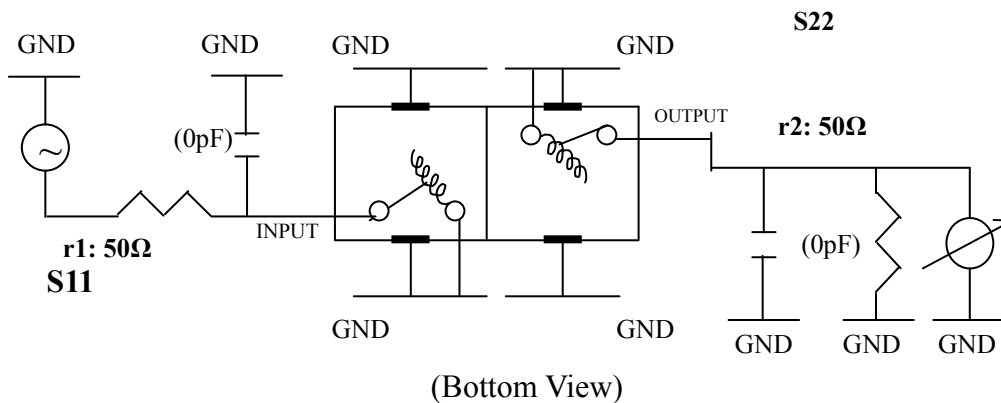
# VHF UHF Helical Filter Specification Sheet

Customer Name		Temwell's Part No.	TD67688B-116M
Approval No. /dated	20507031APR	Temwell's Print Name	108~125M
Work Instruction No.	20507031DC	Date	Aug.02.2006



(3) Electric Characteristic			
Item		Specify	Performance
Center Freq.(Fo) +/- 0.5 %		116 MHz	116 MHz
Tunable Range		116±2 MHz	116±2 MHz
Insertion Loss		Typ. 2.0 dB	1.25 dB
-3 dB Bandwidth		Typ. 20 MHz	22.0 MHz
Sensitivity (Attenuation)	Fo - 75 MHz	Typ. 26 dBc	29 dBc
	Fo + 75 MHz	Typ. 24 dBc	27 dBc
	Fo - ( )MHz	Typ. dBc	dBc
	Fo +( )MHz	Typ. dBc	dBc
Return Loss		Min. 12 dB	20.1 dB
Ripple		< 1 dB	dB
Impedance		In / Out : 50 Ω	In / Out : 50 Ω
(4) Torque for Tuning Screw		> 100gf · cm	
(5) Temperature Condition:			
Operating Temperature		0°C ~ +60°C	
Storage Temperature		-20°C ~ +70°C	
(6) Input Power		> 1Watt	

(7) Measuring Circuit: ※Easy to match Impedance 50Ω/ by parallel with about ( 0 ) pF.



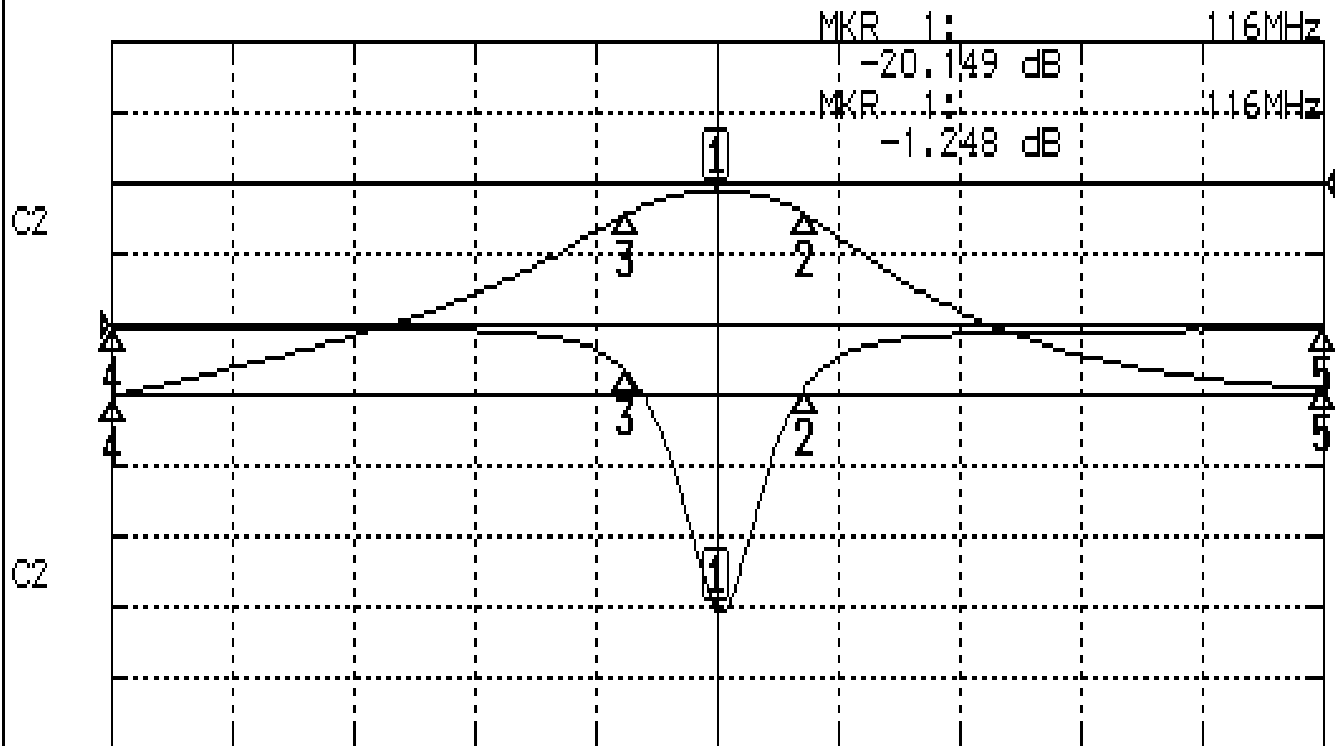
Approval	Supervisor	Designer	Aperture size
C.Y.Chang	C.S.Chang	C.S.Chang	7H2(4*6.5)(6.57) 7H00LB6

TEMWELL CORPORATION

# Performance-TD67688B-116M

## 20507031DC

CH1 S11 LOG MAG REF 0.000 dB 5.000 dB/  
CH2 S21 LOG MAG REF 0.000 dB 10.000 dB/



CENTER 116MHz

[ 10.00 dBm ]

SPAN 150MHz

### CH1 MARKER LIST

1:	116.000MHz	-20.149 dB
2:	126.875MHz	-4.563 dB
3:	104.875MHz	-3.414 dB
4:	41.000MHz	-0.157 dB
5:	191.000MHz	-0.406 dB

### CH2 MARKER LIST

1:	116.000MHz	-1.251 dB
2:	126.875MHz	-4.278 dB
3:	104.875MHz	-4.263 dB
4:	41.000MHz	-30.299 dB
5:	191.000MHz	-28.984 dB