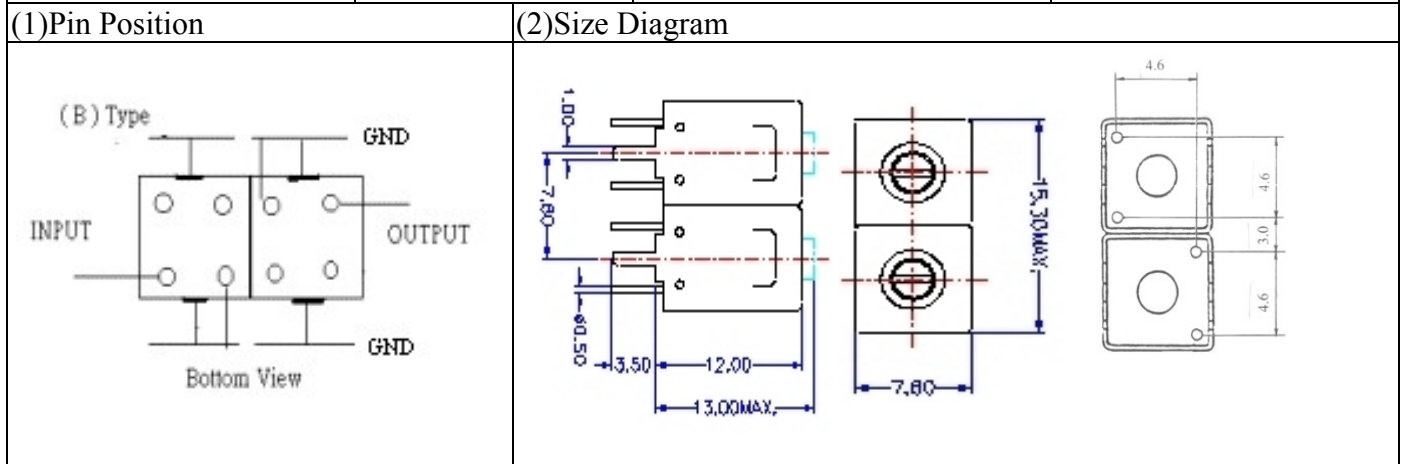


# VHF UHF Helical Filter Specification Sheet

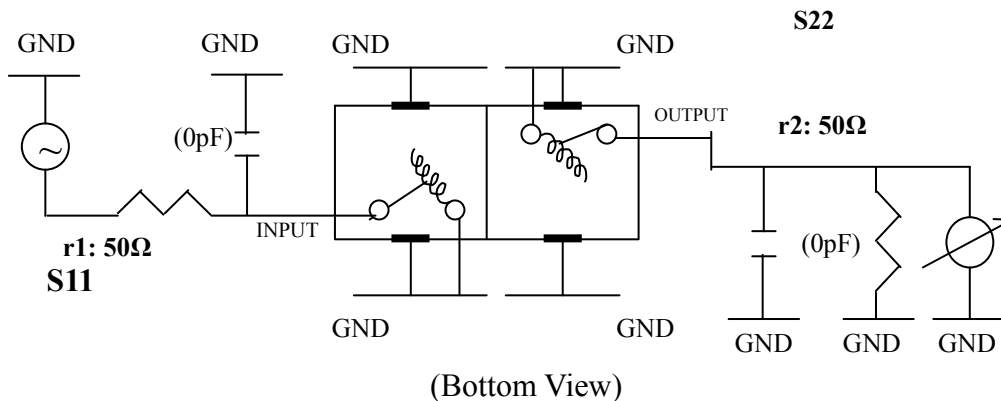
Customer Name		Temwell's Part No.	TD67690B-293M
Approval No. /dated	20507033APR	Acceptable Specify Fo. Range	276~310MHz
Work Instruction No.	20507033DC	Date	Jul.15.2005



(3) Electric Character			
Item	Specify		Performance
Center Freq.(Fo) +/- 0.75 %	293	MHz	293 MHz
Tunable Range	293±4	MHz	293±4 MHz
Insertion Loss	Typ. 2.0	dB	0.95 dB
-3 dB Bandwidth	Typ. 20	MHz	25.7 MHz
Sensitivity (Attenuation)	Fo - 75 MHz	Typ. 23 dBc	27 dBc
	Fo + 75 MHz	Typ. 29 dBc	33 dBc
	Fo - ( )MHz	Typ. dBc	dBc
	Fo +( )MHz	Typ. dBc	dBc
Return Loss	Min. 12	dB	36.9 dB
Ripple	< 1	dB	dB
Impedance	In / Out : 50 Ω		In / Out : 50 Ω

(4) Torque for Tuning Screw		> 100gf · cm
(5) Temperature Condition:		
Operating Temperature	-30°C ~ +70°C	
Storage Temperature	-30°C ~ +80°C	
(6) Input Power	> 1Watt	

(7) Measuring Circuit: ※Easy to match Impedance 50Ω/ by parallel with about ( 0 ) pF.

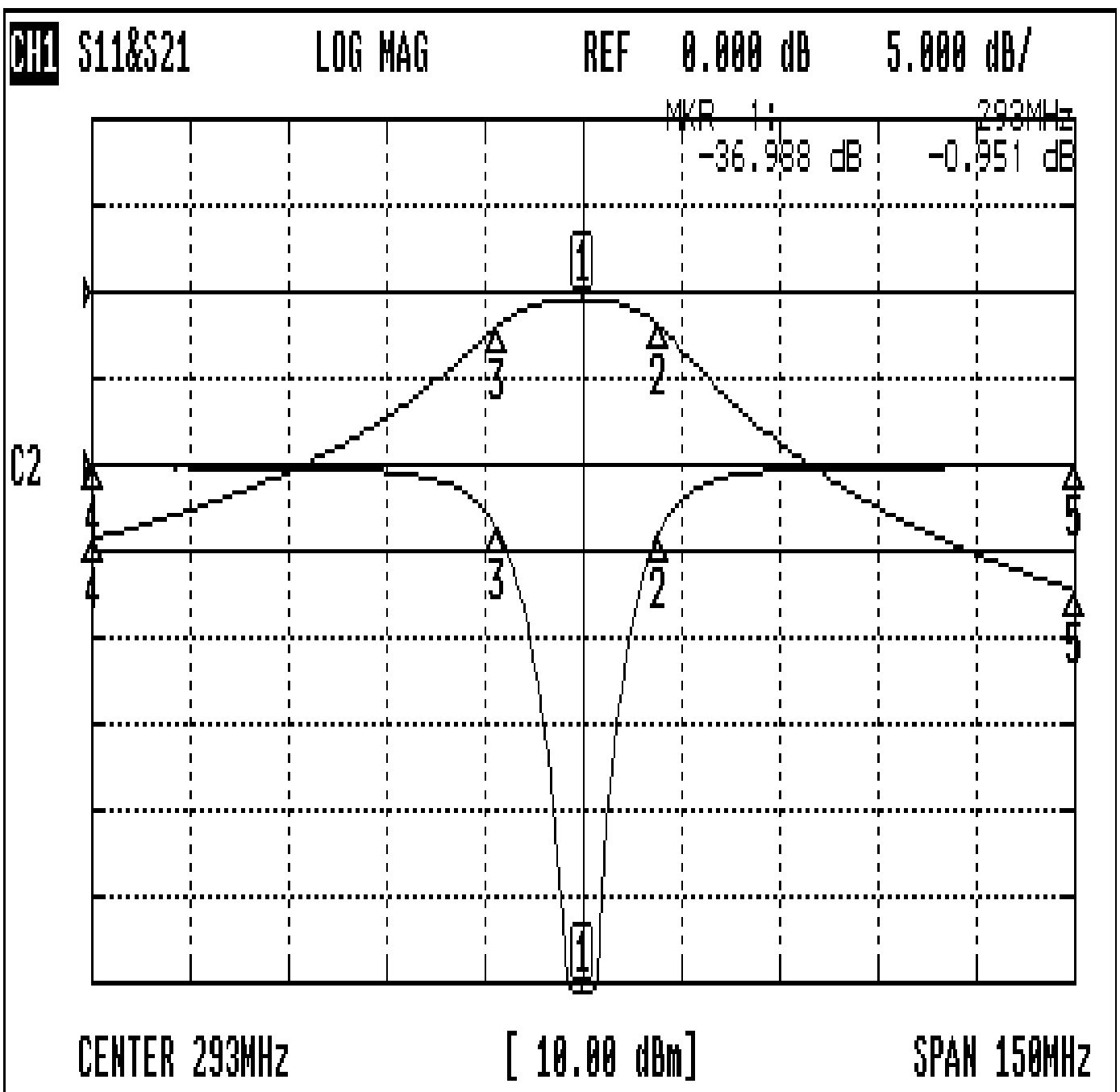


Approval	Supervisor	Designer	Aperture size
C.Y. Chang	C.S. Chang	Enlan	7H2(4*6.5)(6.56) 7H046LB5

TEMWELL CORPORATION

# Performance-TD67690B-293M

## 20507033DC



### CH1 MARKER LIST

1:	293.000MHz	-36.988 dB	-0.951 dB
2:	304.500MHz	-4.069 dB	-3.955 dB
3:	279.875MHz	-3.681 dB	-3.965 dB
4:	218.000MHz	-0.116 dB	-28.592 dB
5:	368.000MHz	-0.115 dB	-34.490 dB