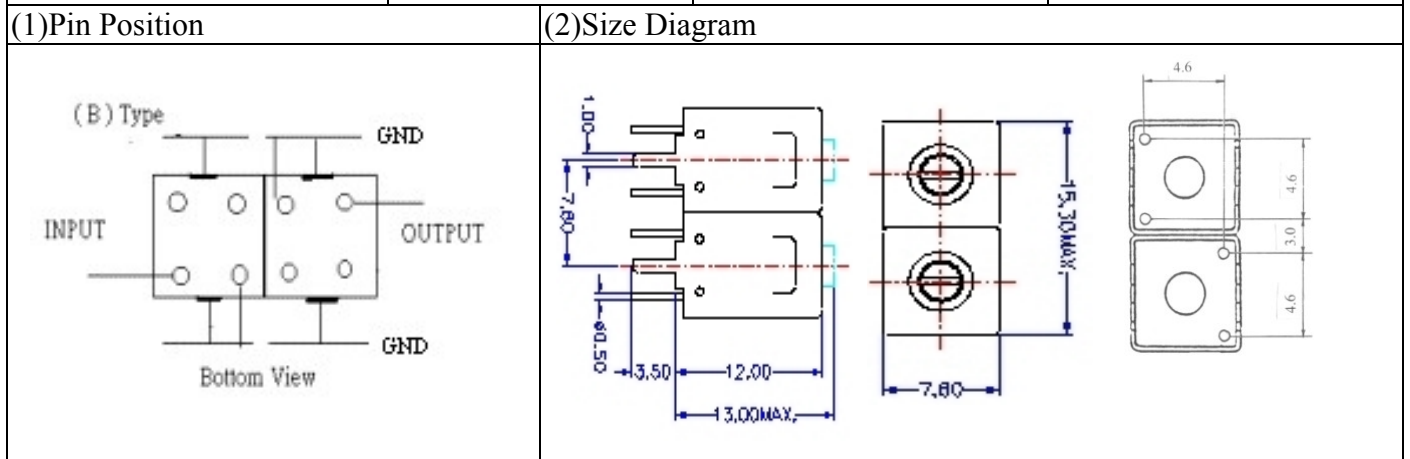


VHF UHF Helical Filter Specification Sheet

Customer Name		Temwell's Part No.	TD67701B-180M
Approval No. /dated	20507052APR	Temwell's Print Name	166~195M
Work Instruction No.	20507052DC	Date	Jul.26.2006



(3) Electric Character

Item	Specify	Performance	
Center Freq.(Fo) +/- 0.5 %	180 MHz	180 MHz	
Tunable Range	180±2 MHz	180±2 MHz	
Insertion Loss	Typ. 2.0 dB	1.27 dB	
-3 dB Bandwidth	Typ. 20 MHz	24.3 MHz	
Sensitivity (Attenuation)	Fo - 50 MHz	Typ. 18 dBc	21 dBc
	Fo + 50 MHz	Typ. 22 dBc	24 dBc
	Fo - ()MHz	Typ. dBc	dBc
	Fo +()MHz	Typ. dBc	dBc
Return Loss	Min. 12 dB	17.4 dB	
Ripple	< 1 dB	dB	
Impedance	In / Out : 50 Ω	In / Out : 50 Ω	

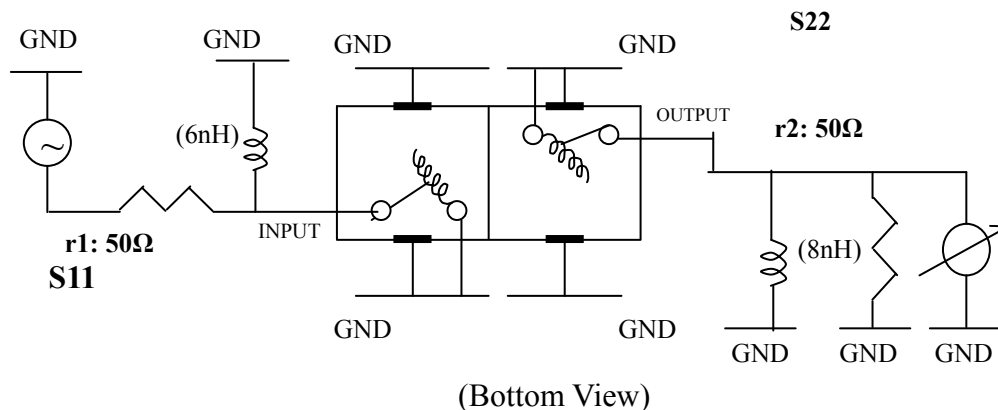
(4) Torque for Tuning Screw > 100gf · cm

(5) Temperature Condition:

Operating Temperature	0°C ~ +60°C
Storage Temperature	-20°C ~ +70°C

(6) Input Power > 1 Watt

(7) Measuring Circuit: ※Easy to match Impedance 50Ω by parallel with about (6) nH / (8) nH



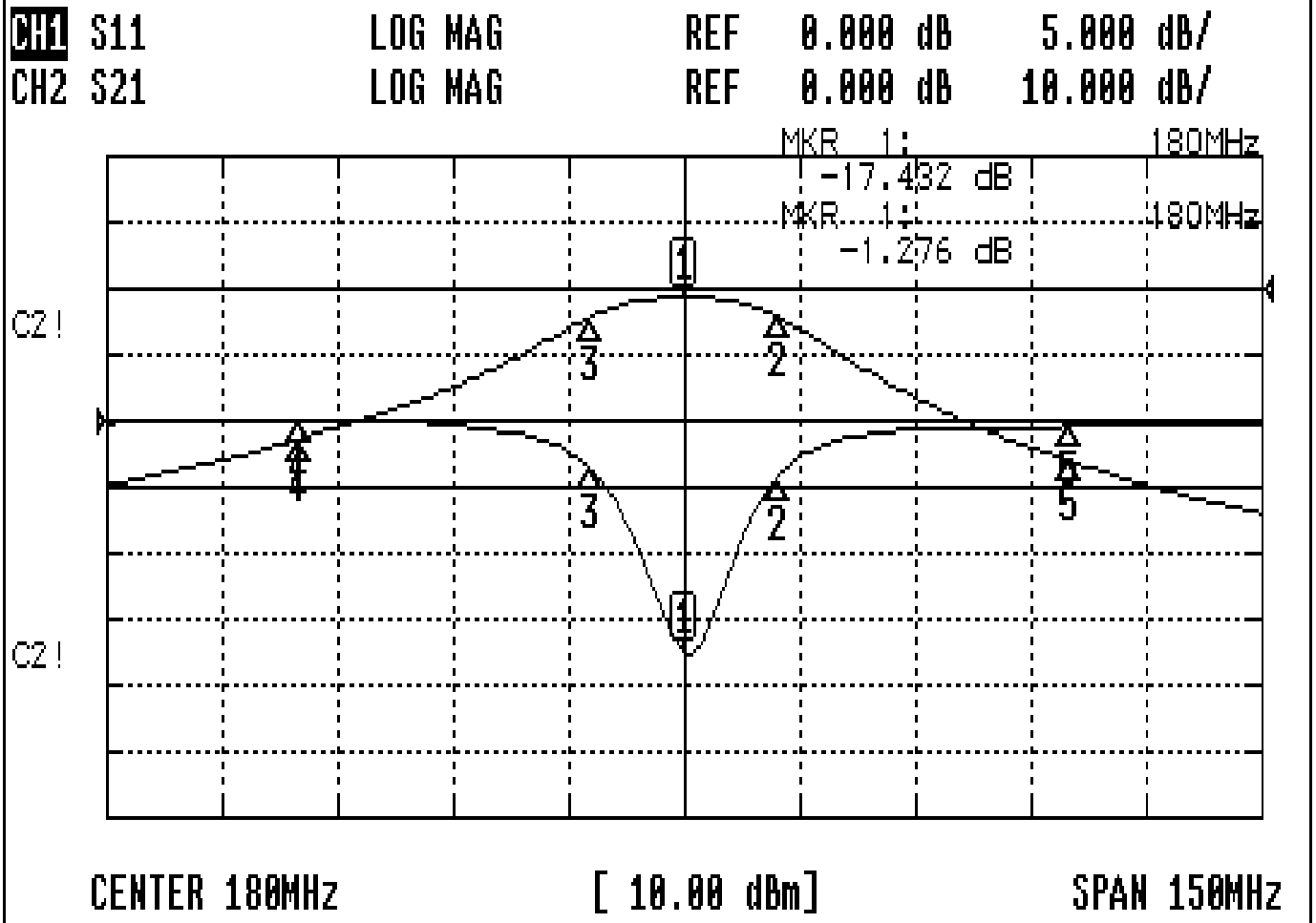
Approval	Supervisor	Designer	Aperture size
C.Y.Chang	C.S.Chang	W.W.Wang	7H2(4*5.5)F 7H00LB6

TEMWELL CORPORATION

TEMWELL Form10-7H2B Vision D RP W.W.Wang

Performance-TD67701B-180M

20507052DC



CH1 MARKER LIST

1:	180.000MHz	-17.432 dB
2:	192.125MHz	-4.275 dB
3:	167.875MHz	-3.641 dB
4:	130.000MHz	-0.100 dB
5:	230.000MHz	-0.439 dB

CH2 MARKER LIST

1:	180.000MHz	-1.276 dB
2:	192.125MHz	-4.235 dB
3:	167.875MHz	-4.259 dB
4:	130.000MHz	-22.682 dB
5:	230.000MHz	-26.075 dB