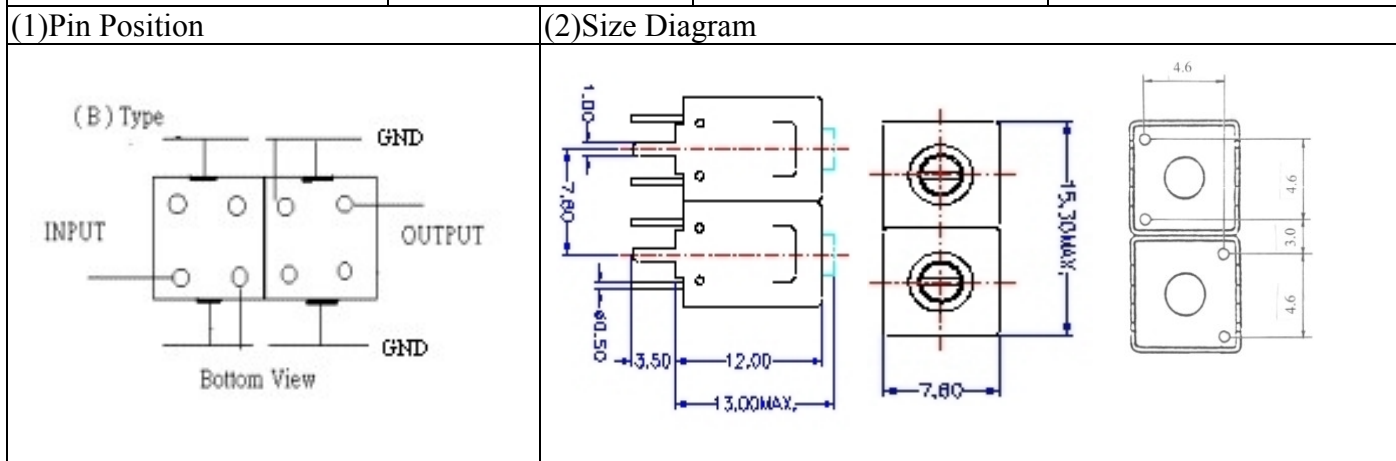


VHF UHF Helical Filter Specification Sheet

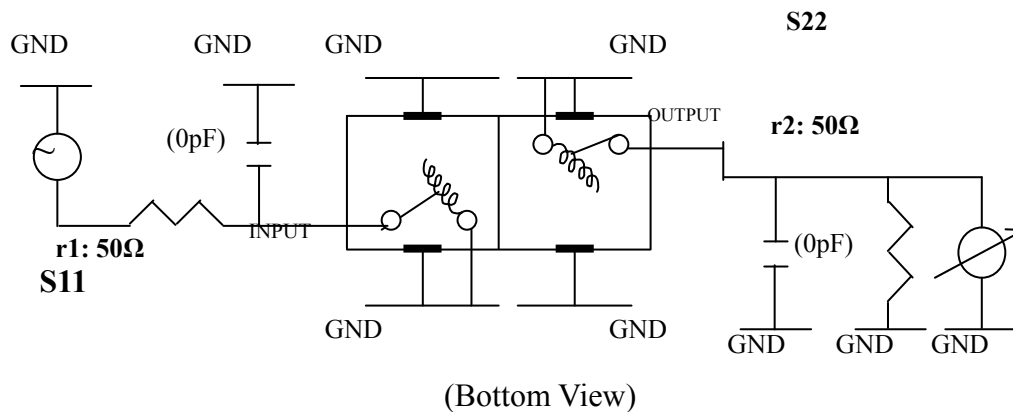
Customer Name		Temwell's Part No.	TD67702B-200M
Approval No. /dated	20507053APR	Temwell's Print Name	196~220M
Work Instruction No.	20507053DC	Date	Jul.31.2006



(3) Electric Character

Item		Specify	Performance
Center Freq.(Fo) +/- 0.5 %		200 MHz	200 MHz
Tunable Range		200±4 MHz	200±4 MHz
Insertion Loss		Typ. 2.0 dB	0.89 dB
-3 dB Bandwidth		Typ. 20 MHz	22.8 MHz
Sensitivity (Attenuation)	Fo - 50 MHz	Typ. 17 dBc	20 dBc
	Fo + 50 MHz	Typ. 26 dBc	29 dBc
	Fo - ()MHz	Typ. dBc	dBc
	Fo +()MHz	Typ. dBc	dBc
Return Loss		Min. 12 dB	36.5 dB
Ripple		< 1 dB	dB
Impedance		In / Out : 50 Ω	In / Out : 50 Ω
(4) Torque for Tuning Screw		> 100gf · cm	
(5) Temperature Condition:			
Operating Temperature		0°C ~ +60°C	
Storage Temperature		-20°C ~ +70°C	
(6) Input Power		> 1 Watt	

(7) Measuring Circuit: ※Easy to match Impedance 50Ω by parallel with about (0) pF.



Approval	Supervisor	Designer	Aperture size
C.Y.Chang	C.S.Chang	W.W.Wang	7H2(4*5.5)F 7H046RB6.5

TEMWELL CORPORATION

